



Job: \_\_\_\_\_

Item No. \_\_\_\_\_

## DESIGNED FOR MEDIUM VOLUME APPLICATIONS

13 Gallons per Hour – 20 Quart Capacity

### SUPER PRODUCTION IN A SMALL DESIGN!

The **SaniServ** model 709 Frozen Beverage Freezer is perfect for providing a high volume of frozen drinks for even the busiest of locations. The increased production makes the model 709 great for providing pitchers of frozen product and supplying plenty of product for larger frozen beverages. With the 709's quick recovery, owners and operators are assured product availability even during peak serving periods!

### SPACE SAVING

**Small Footprint Design** - **SaniServ** model 709 offers increased production without having to come in a larger design! Owners and operators can still save valuable floor space and turn the countertop into a high profit center by providing the frozen beverages customers enjoy!

### EASY CLEANING AND OPERATION

**Fewer Parts = Simplified Cleaning** – **SaniServ** equipment designed and built with the fewest parts to be disassembled, cleaned and sanitized than any other machine in the industry. The state of the art solid-state **AccuFreeze** control insures product consistency, worry-free operation and customer satisfaction.

### HIGH RETURN ON INVESTMENT

**Increased Profits** – **SaniServ** machines combine affordable efficiency with consistent product quality and fast, quiet operation to insure customer satisfaction with high profit frozen beverages.

### QUALITY DESIGN

**Durability** – **SaniServ** machines are built to achieve long and dependable life through simplicity of design. Every machine is shipped standard with a stainless steel exterior, durable steel interior frame construction, heavy-duty components and consistency systems.

# Model 709

Counter Model

**Frozen Beverage Machine  
With AccuFreeze Control**

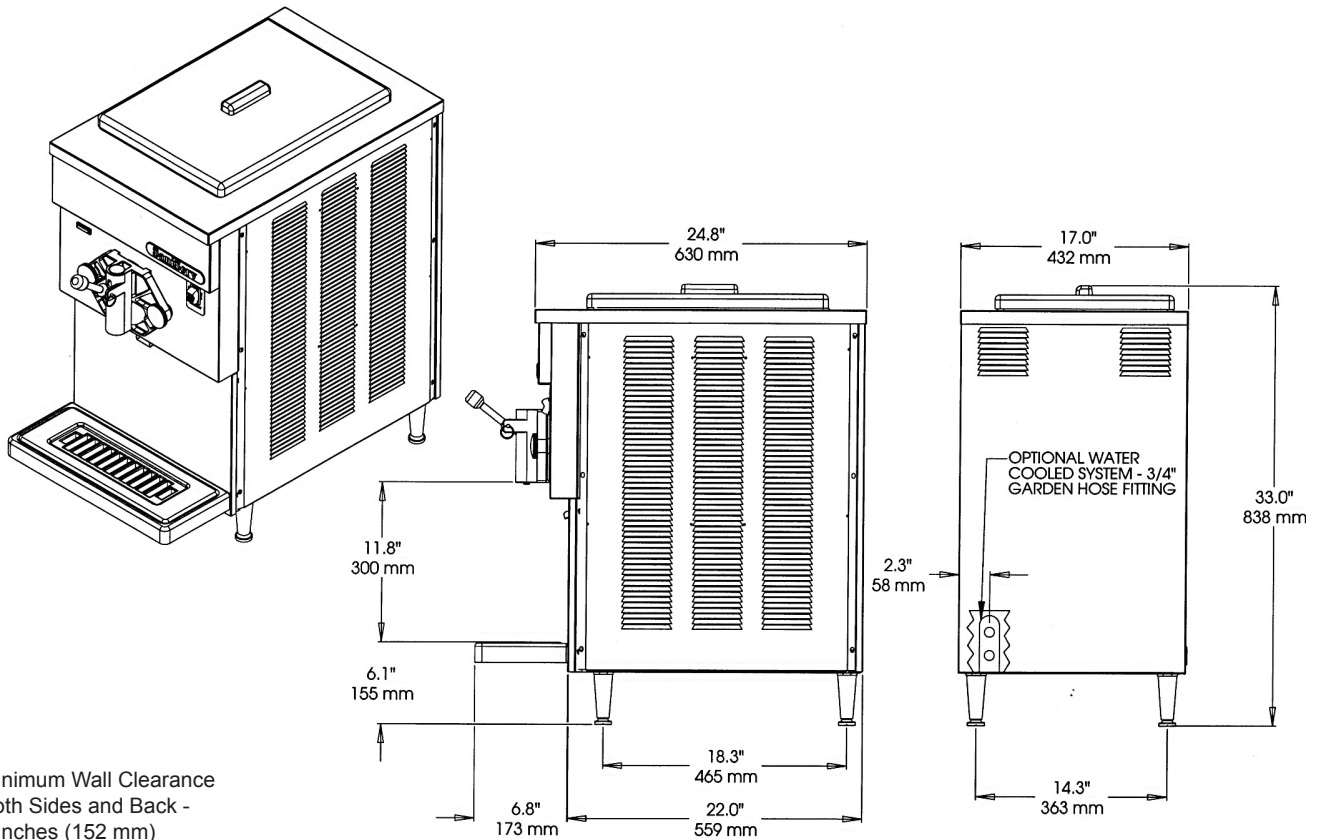


Made in USA

We reserve the right to change specifications and product designs without notice. Such revisions do not entitle the buyer to corresponding changes, improvements, additions or replacements for previously purchased equipment.

# MODEL 709

## Counter Model Frozen Beverage/Cocktail Freezer



Minimum Wall Clearance  
Both Sides and Back -  
6 inches (152 mm)

ELECTRICAL				WIDTH	HEIGHT	DEPTH	WEIGHT	VOLUME
VOLTS	Hz	Ph.	Amps	INCHES (MM)	INCHES (MM)	INCHES (MM)	LBS. (Kg)	CU FT. (cu. m.)
208-230	60	1	20	17 (432)	33 (838)	24.8 (630)	207 (94)	
208-230	60	3	15					
Shipping Specifications				22.5 (572)	41 (1042)	34.5 (876)	265 (120)	18.5 (.53)

### Specifications:

#### Cooling System:

Air or Water

#### Dasher and Compressor Motors:

1/4 HP Dasher  
1 HP Compressor

#### Refrigerant Type:

R404A

#### Listings:

UL, cUL, NSF

### Features:

#### Evaporator and Mix Reservoir

#### Capacity:

20 Quarts (18.9 liters)

#### Dasher:

Heavy-Duty Stainless Steel with low friction scraper blades.

#### Controls:

**AccuFreeze** solid-state control for accurate product consistency.

#### Solid State Audio/Visual Mix Out System with Compressor Lockout

### Warranty:

Parts 1 year  
Compressor 5 years  
Evaporator 5 years

### Options:

Tune Up Kit  
Parts Tray  
Drink Spinner  
Lightbox  
Counter Top Mounting Pad Machine Stand  
Wash Out Kit – 3/8" Flare Fitting  
Water Cooled – 3/4" Garden Hose Fitting  
Export Voltages