



The Matchbox® Oven

Cooks a full & varied menu better, faster, easier.



Matchbox Features No Other Oven Can Match

No Extraction Required

- Ovention's revolutionary closed cooking system performs 10 times better than the required UL grease emissions standard
- The doors are only opened when food is entering or exiting the oven

Ultimate Temperature Control

- With FlexTemp™, increase or decrease temperature by 50°F degrees from one item to the next

Intuitive One-Touch Display

- 2 cooking surfaces that automatically load at the tap of a touchpad
- Auto unload to prevent overcooking
- USB menu upload capability

Superior Cooking Control

- Revolutionary Precision Impingement™ that allows you to control time, temperature and independent blower speeds for every item
- Up to 1,000 pre-programmed cook settings
- No microwaves
- Stage the cooking process for superior quality

Drastically Reduced Energy Costs

- Unique "End Cap" system minimizes hot air escape from cavity
- Reduced oven energy consumption
- Reduced air extraction / HVAC costs

Smaller Kitchen Footprint

- One oven bakes, broils, cooks, grills, roasts

Ovention Matchbox Ovens: *Expect the Unexpected!*

Ovention Matchbox 1718 Specifications

Height: 20.24" (514 mm)
Width: 61.68" (1566.7 mm)
Depth: 34.47" (875.5 mm)
Oven Weight: 228 lbs.
Power: Single Phase 60 Hz
Operating Voltage: 208V / 240V
Max Current Draw: 44A / 49A
Plug: NEMA 6-50P
Cord Length: 72" (1828.8 mm)

Ventilation:

UL197 (KNLZ) listed for ventless operation*
EPA202 Tested from Section 59 of UL710B (8 hr)
Product: Pepperoni Pizza
Results: 0.49 mg/m³
Internal catalytic filtration to limit smoke, grease, and odor emissions

Shipping Information:

Freight Class: 150
Cube: 68" x 41" x 30"
(1727.2 x 1041.4 x 762 mm)
Shipping Weight: 312 lbs.
FOB: Sturgeon Bay, Wisconsin

Ovention Matchbox 1313 Specifications

Height: 20.21" (513.3 mm)
Width: 49.88" (1267 mm)
Depth: 28.67" (728.2 mm)
Oven Weight: 169 lbs.
Power: Single Phase 60 Hz
Operating Voltage: 208V / 240V
Max Current Draw: 26A / 29A
Plug: NEMA 6-30P
Cord Length: 72" (1828.8 mm)

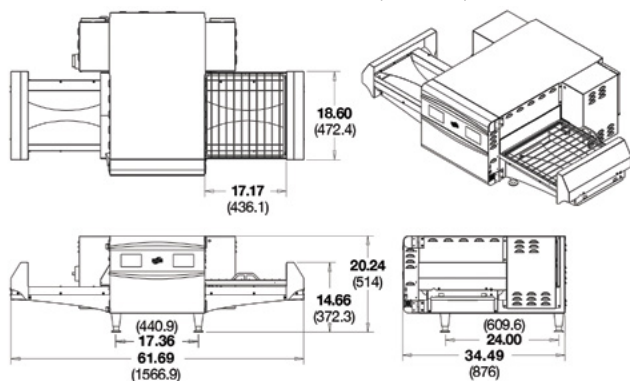
Ventilation:

UL197 (KNLZ) listed for ventless operation*
EPA202 Tested from Section 59 of UL710B (8 hr)
Product: Pepperoni Pizza
Internal catalytic filtration to limit smoke, grease, and odor emissions

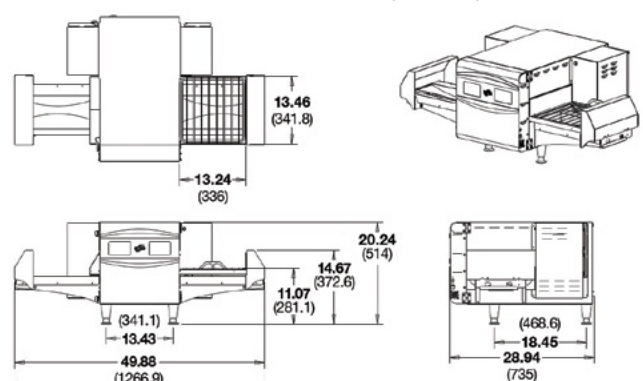
Shipping Information:

Freight Class: 150
Cube: 68" x 41" x 30"
(1727.2 x 1041.4 x 762 mm)
Shipping Weight: 232 lbs.
FOB: Sturgeon Bay, Wisconsin

Measurement Units: Inches (Millimeters)



Measurement Units: Inches (Millimeters)



OVENTION, INC.

635 South 28th Street • Milwaukee, Wisconsin 53215

Call Toll Free 855.298.OVEN • www.OventionOvens.com • Email: connect@OventionOvens.com