



**John
BOOS**
Since 1887

ITEM #: _____ QTY: _____
 MODEL #: _____
 PROJECT NAME: _____

3601 S. Banker St. Effingham, IL 62401 • P.O. BOX 609 • Ph: (888) 431-2667 • Fax: (800) 433-2667

"ST6R5-GBK" STAINLESS STEEL TOP WORK TABLES **16GA TOP W/5" RISER AND GALV LEGS AND ADJUSTABLE BRACING**



FEATURES:

- 16 GAUGE STAINLESS STEEL TOP W/ 5" RISER & TURNDOWN
- TYPE 300 STAINLESS STEEL WITH # 4 POLISH, SATIN FINISH
- TOP IS SOUND DEADENED
- REINFORCED WITH 1"X2" CHANNEL RUNNING ENTIRE LENGTH OF TABLE
- 1-1/2" STALLION EDGE ON FRONT SIDE EDGES
90 DEGREE BEND DOWN FOR TABLE LINE-UP
- GALVANIZED BASE WITH ADJUSTABLE BRACING
- SHIPPED KNOCKED-DOWN, EASY-TO-ASSEMBLE
- NSF AND CSA CERTIFIED



ST6R5-3048GBK

CONSTRUCTION:

- TOP: STAINLESS STEEL TOPS ARE TIG WELDED, EXPOSED WELDS ARE POLISHED TO MATCH ADJACENT SURFACE.

MATERIAL:

- TOP: 16 GAUGE STAINLESS STEEL TYPE 300 STAINLESS STEEL WITH # 4 POLISH, SATIN FINISH
- BRACING: 1-1/4" ROUND O.D. 18 GAUGE GALVANIZED STEEL
- LEGS: 1-5/8" ROUND O.D. 16 GAUGE TUBULAR GALVANIZED STEEL
- GUSSETS: GALVANIZED STEEL
- FEET: 1" ADJUSTABLE GALVANIZED BULLET FEET



ADJUSTABLE BRACING

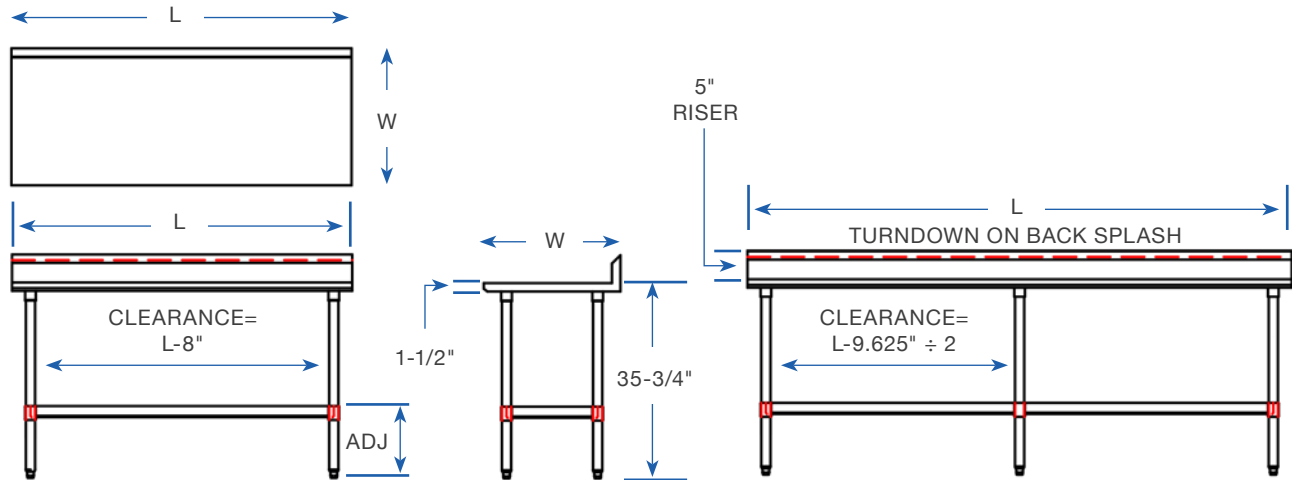
16 GAUGE TOP W/ ADJUSTABLE BRACING

| 24" WIDE | QTY | 30" WIDE | QTY | 36" WIDE | QTY |
|----------------|-----|----------------|-----|----------------|-----|
| ST6R5-2430GBK | | ST6R5-3030GBK | | - | |
| ST6R5-2436GBK | | ST6R5-3036GBK | | ST6R5-3636GBK | |
| ST6R5-2448GBK | | ST6R5-3048GBK | | ST6R5-3648GBK | |
| ST6R5-2460GBK | | ST6R5-3060GBK | | ST6R5-3660GBK | |
| ST6R5-2472GBK | | ST6R5-3072GBK | | ST6R5-3672GBK | |
| ST6R5-2484GBK | | ST6R5-3084GBK | | ST6R5-3684GBK | |
| ST6R5-2496GBK | | ST6R5-3096GBK | | ST6R5-3696GBK | |
| ST6R5-24108GBK | | ST6R5-30108GBK | | ST6R5-36108GBK | |
| ST6R5-24120GBK | | ST6R5-30120GBK | | ST6R5-36120GBK | |

OPTIONAL ACCESSORIES

| DESCRIPTION | MODEL # | QTY |
|-------------|---------|-----|
| DRAWER | | |
| DRAWER LOCK | | |
| CASTERS | | |
| OVERSHELVES | | |
| SINKS | | |
| POT RACK | | |

DETAILED SPECIFICATIONS



- UNITS 7 FT. AND LARGER ARE FURNISHED WITH SIX LEGS.

16 GAUGE TOP W/ ADJUSTABLE BRACING

| LENGTH | 24" WIDE | WT. (LBS) | 30" WIDE | WT. (LBS) | 36" WIDE | WT. (LBS) |
|--------|----------------|-----------|----------------|-----------|----------------|-----------|
| 30" | ST6R5-2430GBK | 48 | ST6R5-3030GBK | 48 | - | - |
| 36" | ST6R5-2436GBK | 53 | ST6R5-3036GBK | 53 | ST6R5-3636GBK | 65 |
| 48" | ST6R5-2448GBK | 64 | ST6R5-3048GBK | 64 | ST6R5-3648GBK | 72 |
| 60" | ST6R5-2460GBK | 76 | ST6R5-3060GBK | 76 | ST6R5-3660GBK | 80 |
| 72" | ST6R5-2472GBK | 87 | ST6R5-3072GBK | 87 | ST6R5-3672GBK | 93 |
| 84" | ST6R5-2484GBK | 103 | ST6R5-3084GBK | 103 | ST6R5-3684GBK | 110 |
| 96" | ST6R5-2496GBK | 118 | ST6R5-3096GBK | 118 | ST6R5-3696GBK | 127 |
| 108" | ST6R5-24108GBK | 130 | ST6R5-30108GBK | 130 | ST6R5-36108GBK | 139 |
| 120" | ST6R5-24120GBK | 141 | ST6R5-30120GBK | 141 | ST6R5-36120GBK | 151 |

MODEL # STRUCTURE

30 = WIDTH OF WORK SURFACE
 5 = HT. OF RISER W/ TURNDOWN
 R = RISER TOP WORK TABLE
 6 = 16GA WORK SURFACE
 ST = STAINLESS STEEL TOP

120 = LENGTH OF WORK SURFACE
 GB = GALVANIZED LEGS & BRACING
 K = K.D. W/ ADJUSTABLE BRACING

ST6R5-30120GBK

SOME UNITS SHIP UNASSEMBLED FOR REDUCED SHIPPING COST. ALL DIMENSIONS ARE TYPICAL. TOLERANCE +/- .500"
 John Boos & Co. is constantly engaged in a program of improving products and therefore reserves the right to change specifications without prior notice.



3601 S. Banker St. • Effingham, IL 62401 • PO BOX 609 • quotes@johnboos.com

Boos
lock

AQ AutoQuotes

www.johnboos.com