



## "Over Shelves" E - Series

Model "ES" Single Stainless Steel Overshelf

Model "ED" Double Stainless Steel Overshelf

AUTOQUOTES



### Over Shelves



Single Over Shelf

Single Shelf		Double Shelves	
MODEL	LENGTH	MODEL	LENGTH
OS-ES-1248	12"X48"	OS-ED-1248	12"X48"
OS-ES-1260	12"X60"	OS-ED-1260	12"X60"
OS-ES-1272	12"X72"	OS-ED-1272	12"X72"
OS-ES-1296	12"X96"	OS-ED-1296	12"X96"



Double Over Shelf  
w/ Adjustable  
Mid Shelf

#### FEATURES:

- \* Stainless Steel Shelf  
18 gauge, type 300 stainless steel with # 4 polish, satin finish
- \* Uprights are 1 1/4" O.D. Round 18 gauge tubing,
- \* Square Turndown edge all four sides
- \* Single Overshelves are mounted 18" above table top
- \* Double Overshelves are mounted 18" above table top  
with top shelf 12" above mid shelf
- \* Mid shelf of double shelf units are Adjustable

#### CONSTRUCTION:

- \* Stainless Steel Overshelves are TIG welded  
Exposed welds are polished to match adjacent surfaces

#### MATERIAL:

- Shelf 18 gauge type 300 stainless steel, # 4 polish, satin finish
- Uprights: 1 1/4" Round O.D., 18 gauge type 300 tubular stainless steel  
# 4 polish, satin finish

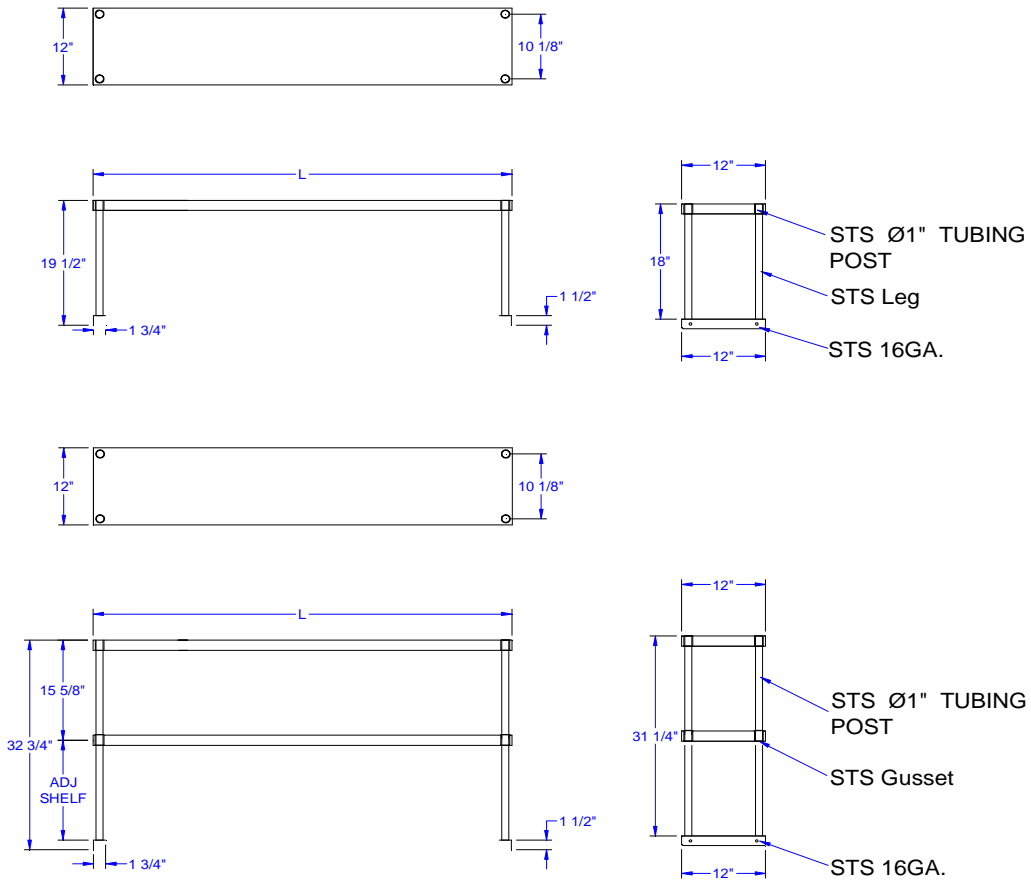
### **John Boos & Co**

3601 S.Banker Street - Effingham, IL 62401

Phone: 217-347-7701 - Fax: 217-347-7705

Email: sales@johnboos.com - Web-site: www. johnboos.com

# DETAILED SPECIFICATIONS



All dimensions are typical.  
Tolerance +/- .500".

Single Shelf		
MODEL	LENGTH	WT.
OS-ES-1248	12"X48"	17
OS-ES-1260	12"X60"	21
OS-ES-1272	12"X72"	24
OS-ES-1296	12"X96"	40

Double Shelves		
MODEL	LENGTH	WT.
OS-ED-1248	12"X48"	31
OS-ED-1260	12"X60"	36
OS-ED-1272	12"X72"	40
OS-ED-1296	12"X96"	56

**John Boos & Co**  
3601 S. Banker Str - Effingham, Il 62401 Phone: 217-347-7701 - Fax: 217-347-7705  
Email: sales@johnboos.com - Web-site: www.johnboos.com



January 2016