



"EPT8R5" Stainless Steel Prep Table w/ Sink

w/ 18 Gauge Stainless Steel Work Top
w/ Stainless Base & Adjustable Undershef



| | | | |
|---------|-------|-----|-------|
| Item # | _____ | Qty | _____ |
| Model # | _____ | | |
| Project | _____ | | |

AUTOQUOTES



18 GAUGE TOP w/ ADJUSTABLE UNDERSHELF

FEATURES:

- * 18 Gauge Stainless Steel Top with 5" Riser & turndown
Type 300 stainless steel with # 4 polish, satin finish
- * 1 1/2" **Stallion Edge** on front with
side edges 90 degree bend down for table line-up
- * (1) 16"x 20"x12" Bowl
- * Stainless Steel Base with **Adjustable** Undershef
- * Adjustable bullet feet
- * Shipped knocked-down, easy - to - assemble
- * NSF Approved



| 30"WIDE | Qty |
|------------------|-----|
| EPT8R5-3060SSK-L | |
| EPT8R5-3060SSK-R | |
| EPT8R5-3072SSK-L | |
| EPT8R5-3072SSK-R | |

L = Left Bowl
R = Right Bowl

CONSTRUCTION:

Top: Stainless Steel Tops are TIG welded, Exposed welds are polished to match adjacent surface.

MATERIAL:

Top: 18 gauge stainless steel
Type 300 stainless steel with # 4 polish, satin finish

Shelf: 18 gauge stainless steel

Legs: 1 5/8" Round O.D., 16 gauge tubular stainless steel

Gussets: Stainless Steel

Feet: 1" adjustable stainless steel bullet feet

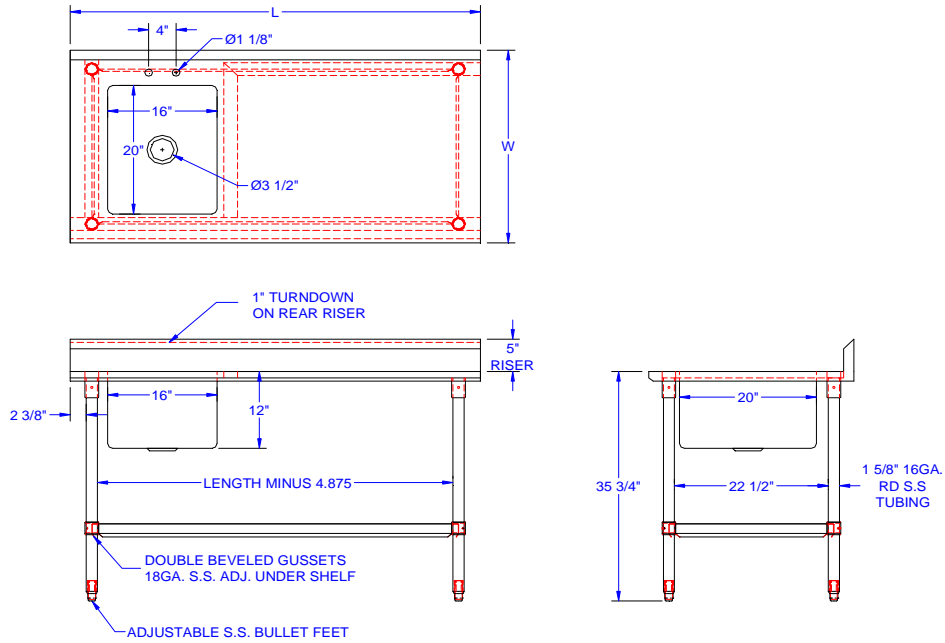
John Boos & Co

3601 S. Banker Street - Effingham, IL 62401

Phone: 217-347-7701 - Fax: 217-347-7705

Email: sales@johnboos.com - Web-site: www. johnboos.com

DETAILED SPECIFICATIONS



All units ship unassembled for reduced shipping cost.
 All dimensions are typical.
 Tolerance +/- .500".

Finished size of undershelf.
 Shelf length = length minus 4.875"
 Shelf width = width minus 4.25"

16 GAUGE TOP & UNDERSHELF

| L | 30" WIDE | W |
|----|------------------|-----|
| 60 | EPT8R5-3060SSK-L | 145 |
| 60 | EPT8R5-3060SSK-R | 145 |
| 72 | EPT8R5-3072SSK-L | 195 |
| 72 | EPT8R5-3072SSK-R | 195 |

5 = Height of Riser w/ turndown

R = Riser Top Work Table

8 = 18. ga Work Surface

EPT = Economy Prep Table

Width

Length

SS = Stainless Legs & Shelf

K = K.D. w/ Adjustable Shelf

Bowl Location

EPT8R5-3060SSK-L

John Boos & Co

3601 S. Banker - Effingham, IL 62401 Phone: 217-347-7701 - Fax: 217-347-7705
 Email: sales@johnboos.com - Web-site: www.johnboos.com



OCT 2014

John Boos is constantly engaged in a program of improving products and therefore reserves the right to change specification without prior notice