



**John  
BOOS**  
Since 1887

ITEM #: \_\_\_\_\_ QTY: \_\_\_\_\_

MODEL #: \_\_\_\_\_

PROJECT NAME: \_\_\_\_\_

3601 S. Banker St. Effingham, IL 62401 • P.O. BOX 609 • Ph: (888) 431-2667 • Fax: (800) 433-2667

## **"3PB-1DB" PRO-BOWL COMPARTMENT SINKS 16GA**



### **3 COMPARTMENT WITH 1 DRAIN BOARD - STAINLESS STEEL BASE**

#### **FEATURES:**

- STANDARD 16GA TYPE 300 STAINLESS STEEL WITH #4 POLISH, SATIN FINISH
- 12" & 14" DEEP BOWLS
- ALL CORNERS, BOTH VERTICAL AND HORIZONTAL, COVERED AT 5/8" RADIUS
- BOTTOMS OF BOWLS FORMED FOR DRAINAGE TO 3-1/2" DIAMETER DIE STAMPED OPENING
- FULL LENGTH **10" HIGH BOXED BACKSPLASH**, WITH 2" RETURN TO WALL AT 45 DEGREE AND 3/4" TURNED DOWN REAR LIP
- 8" ON-CENTER, 1-1/8" FAUCET HOLES IN BACKSPLASH
- SOLID STAINLESS STEEL FRONT PANEL, TYPE 300 STAINLESS STEEL WITH #4 POLISH, SATIN FINISH
- ALL OUTSIDE CORNERS OF ASSEMBLY ARE BULLNOSED TO PROVIDE SAFE, CLEAN, AND POLISHED EDGE

#### **CONSTRUCTION:**

- TOP: STAINLESS STEEL SINKS ARE TIG WELDED, EXPOSED WELDS ARE POLISHED TO MATCH ADJACENT SURFACE
- BASE: STAINLESS STEEL BASES, STANDARD K.D.

#### **MATERIAL:**

- BOWLS & TOP: 16GA TYPE 300 STAINLESS STEEL WITH #4 POLISH, SATIN FINISH
- LEGS: 1-5/8" ROUND O.D. STAINLESS STEEL
- BRACING: 1-1/4" ROUND O.D. STAINLESS STEEL
- GUSSETS: STAINLESS STEEL
- FEET: 1" ADJUSTABLE STAINLESS STEEL BULLET FEET



SPECIFY LEFT SIDE OR RIGHT SIDE DRAIN BOARD

#### **16GA - "3PB-1DB" PRO-BOWL SERIES SINK**

12" DEEP	QTY	14" DEEP	QTY
3PB1618-1D18		3PB16184-1D18	
3PB1618-1D24		3PB16184-1D24	
3PB1618-1D30		3PB16184-1D30	
3PB18-1D18		3PB184-1D18	
3PB18-1D24		3PB184-1D24	
3PB18-1D30		3PB184-1D30	
3PB1824-1D18		3PB18244-1D18	
3PB1824-1D24		3PB18244-1D24	
3PB1824-1D30		3PB18244-1D30	
3PB24-1D24		3PB244-1D24	
3PB24-1D30		3PB244-1D30	
3PB3024-1D30		3PB30244-1D30	
3PB3024-1D36		3PB30244-1D36	

#### **OPTIONAL ACCESSORIES**

DESCRIPTION	QTY
END SPLASHES, R, L, OR BOTH	
FAUCETS	
ADD-A-FAUCETS	
PRE-RINSE UNITS	
LEVEL WASTE	
OVERSHELVES	
POT RACK	

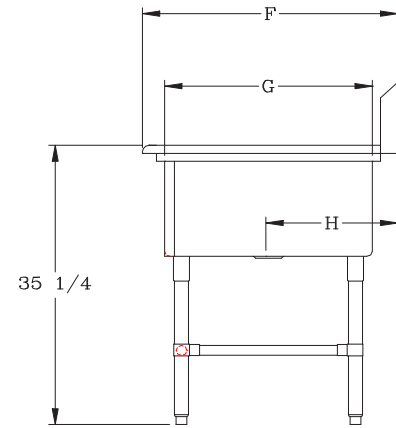
# DETAILED SPECIFICATIONS

### BOWLS

BOWL SIZE	F	G	H
16" X 18"	23-1/2"	18"	11-15/16"
16" X 20"	25-1/2"	20"	12-15/16"
18" X 18"	23-1/2"	18"	11-15/16"
18" X 24"	29-1/2"	24"	14-15/16"
24" X 24"	29-1/2"	24"	14-15/16"
30" X 24"	29-1/2"	24"	14-15/16"

### (12" DEEP) 16GA - "3PB-1DB" PRO-BOWL SERIES SINK

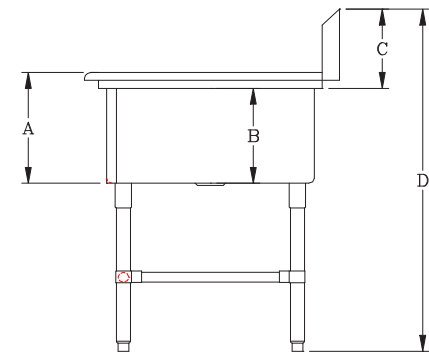
MODEL	BOWL SIZE	DIMENSIONS	DB	WT. (LBS)
3PB1618-1D18	16 X 18 X 12	70-3/16" X 23-1/2"	18"	114
3PB1618-1D24	18 X 18 X 12	76-3/16" X 23-1/2"	24"	117
3PB1618-1D30	16 X 18 X 12	82-3/16" X 23-1/2"	30"	121
3PB18-1D18	18 X 18 X 12	76-3/16" X 23-1/2"	18"	121
3PB18-1D24	18 X 18 X 12	82-3/16" X 23-1/2"	24"	125
3PB18-1D30	18 X 18 X 12	88-3/16" X 23-1/2"	30"	129
3PB1824-1D18	18 X 24 X 12	76-3/16" X 29-1/2"	18"	137
3PB1824-1D24	18 X 24 X 12	82-3-16" X 29-1/2"	24"	141
3PB1824-1D30	18 X 24 X 12	88-3/16" X 29-1/2"	30"	146
3PB24-1D24	24 X 24 X 12	100-3/16" X 29-1/2"	24"	166
3PB24-1D30	24 X 24 X 12	106-3/16" X 29-1/2"	30"	171
3PB3024-1D30	30 X 24 X 12	124-3/16" X 29-1/2"	30"	196
3PB3024-1D36	30 X 24 X 12	130-3/16" X 29-1/2"	36"	200



### (14" DEEP) 16GA - "3PB-1DB" PRO-BOWL SERIES SINK

MODEL	BOWL SIZE	DIMENSIONS	DB	WT. (LBS)
3PB16184-1D18	16 X 18 X 14	70-3/16" X 23-1/2"	18"	122
3PB16184-1D24	18 X 18 X 14	76-3/16" X 23-1/2"	24"	126
3PB16184-1D30	16 X 18 X 12	82-3/16" X 23-1/2"	30"	130
3PB184-1D18	18 X 24 X 14	76-3/16" X 23-1/2"	18"	130
3PB184-1D24	24 X 24 X 14	82-3/16" X 23-1/2"	24"	134
3PB184-1D30	18 X 18 X 14	88-3/16" X 23-1/2"	30"	138
3PB18244-1D18	18 X 24 X 14	76-3/16" X 29-1/2"	18"	147
3PB18244-1D24	18 X 24 X 14	82-3-16" X 29-1/2"	24"	152
3PB18244-1D30	18 X 24 X 14	88-3/16" X 29-1/2"	30"	156
3PB244-1D24	24 X 24 X 14	100-3/16" X 29-1/2"	24"	178
3PB244-1D30	24 X 24 X 14	106-3/16" X 29-1/2"	30"	183
3PB30244-1D30	30 X 24 X 14	124-3/16" X 29-1/2"	30"	210
3PB30244-1D36	30 X 24 X 14	130-3/16" X 29-1/2"	36"	214

	12" DEEP	14" DEEP
A	14"	16"
B	12"	14"
C	10"	10"
D	43"	43"



SOME UNITS SHIP UNASSEMBLED FOR REDUCED SHIPPING COST. ALL DIMENSIONS ARE TYPICAL. TOLERANCE +/- .500"  
 John Boos & Co. is constantly engaged in a program of improving products and therefore reserves the right to change specifications without prior notice.



3601 S. Banker St. • Effingham, IL 62401 • PO BOX 609 • quotes@johnboos.com



www.johnboos.com