



**John
BOOS**
Since 1887

ITEM #: _____ QTY: _____

MODEL #: _____

PROJECT NAME: _____

3601 S. Banker St. Effingham, IL 62401 • P.O. BOX 609 • Ph: (888) 431-2667 • Fax: (800) 433-2667

"140-4" STAINLESS STEEL ENCLOSED WORK TABLES

SLIDING DOOR STYLE WITH 5" REAR RISER



FEATURES:

- 14 GAUGE STAINLESS STEEL TOP WITH 5" REAR RISER
- SLIDING DOOR STYLE
- TYPE 300 STAINLESS STEEL WITH # 4 POLISH, SATIN FINISH
- TOP IS SOUND DEADENED
- REINFORCED WITH 1"X2" CHANNEL RUNNING ENTIRE LENGTH OF TABLE
- 1-1/2" STALLION EDGE ON FRONT AND REAR WITH SIDE EDGES 90 DEGREE BEND DOWN FOR TABLE LINE-UP
- STAINLESS STEEL BASE AND UNDERSHELF
- UNDERSHELF IS SECURED IN A FIXED POSITION, 14-7/8" ABOVE FLOOR
- SHIPPED STANDARD WELDED SET-UP
- NSF AND DEPT. OF AGRICULTURE APPROVED



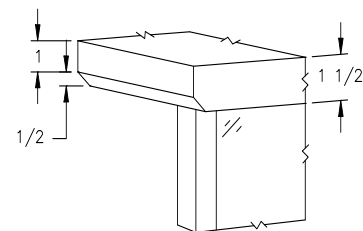
STALLION EDGE

CONSTRUCTION:

- TOP: STAINLESS STEEL TOPS ARE TIG WELDED, EXPOSED WELDS ARE POLISHED TO MATCH ADJACENT SURFACE.

MATERIAL:

- TOP: 14 GAUGE STAINLESS STEEL TYPE 300 STAINLESS STEEL WITH #4 POLISH, SATIN FINISH
- SHELF: 18 GAUGE TYPE 300 STAINLESS STEEL, #4 POLISH WITH SATIN FINISH
- LEGS: 1-1/2" SQUARE O.D., 16 GAUGE TUBULAR STAINLESS STEEL
- PANELS: 22 GAUGE TYPE 300 STAINLESS STEEL, #4 POLISH WITH SATIN FINISH
- FEET: 1" ADJUSTABLE STAINLESS STEEL BULLET FEET



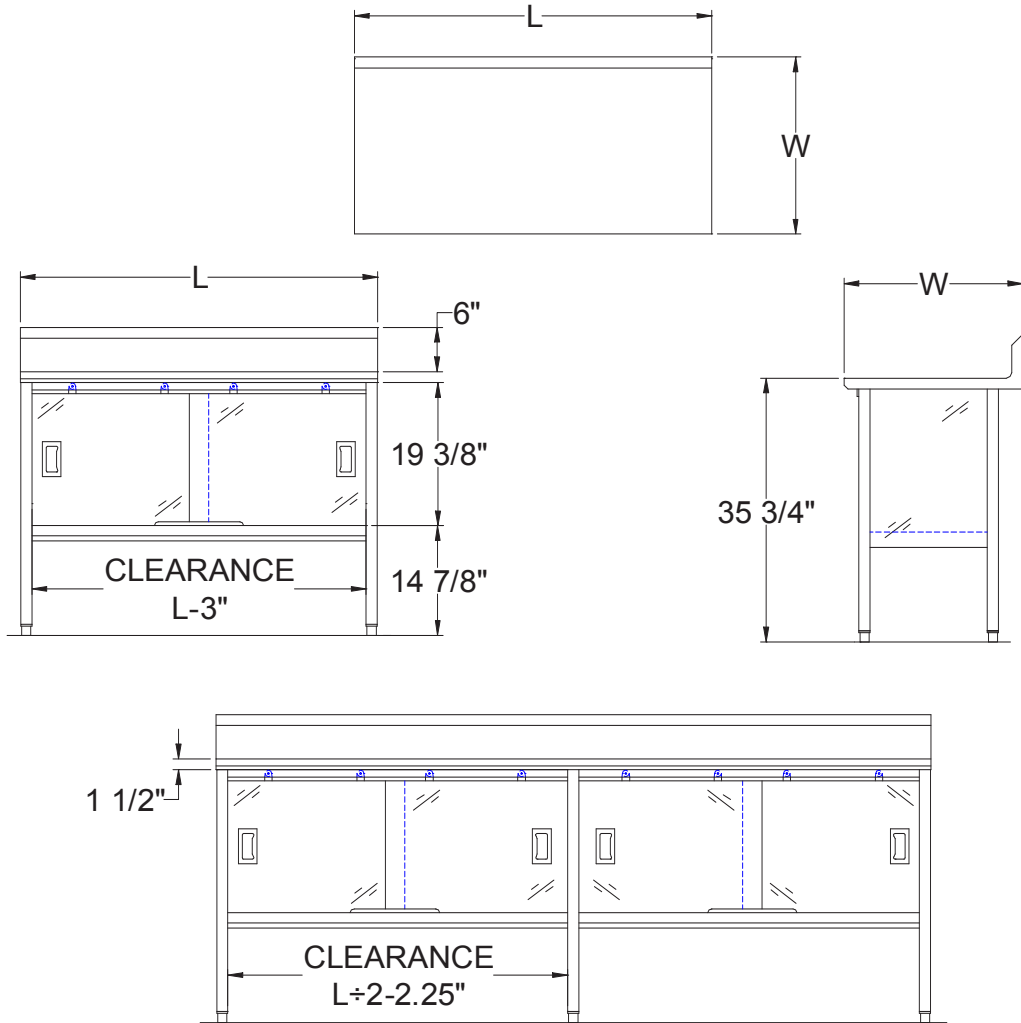
14 GAUGE TOP

24" WIDE	QTY	30" WIDE	QTY
140-31		140-36	
140-32		140-37	
140-33		140-38	
140-33A		140-38A	
140-34		140-39	
140-34A		140-39A	
140-35		140-40	

OPTIONAL ACCESSORIES

DESCRIPTION	MODEL #	QTY
ELEC. OUTLET CUTOUT		
CASTERS		
OVERSHELVES		
POT RACK		
SINKS		
INTERMEDIATE SHELVES		
S/S BUN PAN RACK		

DETAILED SPECIFICATIONS



- UNITS 7 FT. AND LARGER ARE FURNISHED WITH SIX LEGS.
- FINISHED SIZE OF UNDERSHELF.
SHELF LENGTH = LENGTH MINUS 4.875"
SHELF WIDTH = WIDTH MINUS 4.25"

14 GAUGE TOP

LENGTH	24" WIDE	WT. (LBS)	30" WIDE	WT. (LBS)
48"	140-31	196	140-36	213
60"	140-32	228	140-37	247
72"	140-33	260	140-38	283
84"	140-33A	299	140-38A	324
96"	140-34	337	140-39	364
108"	140-34A	370	140-39A	400
120"	140-35	403	140-40	435

SOME UNITS SHIP UNASSEMBLED FOR REDUCED SHIPPING COST. ALL DIMENSIONS ARE TYPICAL. TOLERANCE +/- .500"
John Boos & Co. is constantly engaged in a program of improving products and therefore reserves the right to change specifications without prior notice.



3601 S. Banker St. • Effingham, IL 62401 • PO BOX 609 • quotes@johnboos.com

Boos
lock

AQ AutoQuotes

www.johnboos.com