



HR24B

Compact Undercounter Reach-in Refrigerator



HR24B
05/02/19
Item # 13256

W x D x H
23.4" x 24.5" x 31.5"

ADA Compliant 

HR24B ★



Item #: _____

Project: _____

Qty: _____

AIA#: _____

Features

- ▶ **Stainless steel exterior front, sides and top**
- ▶ **UL approved for outdoor use**
- ▶ **Interior LED lighting**

- Energy efficient, one piece ABS interior liner
- Stainless steel exterior door with aluminum interior comes standard with locks
- Field reversible door
- Magnetic door gasket is easily removable for cleaning
- Environmentally friendly insulation
- Electronic controls with LED Temperature Display and Audio/Visual Alarm
- High and low temperature alarms as well as "Door Open" alarm
- Automatic time-initiated defrost
- (3) Epoxy coated shelves standard
- Built-in cabinet installation with louvered trim
- Trim pieces included (see reverse)
- 6 ft. cord and 5-15P NEMA plug
- Three year parts and labor warranty




Dimensions / Capacity

One Section HR24B

Interior Storage Capacity (CF) (AHAM)	3.7 ft ³
Overall Width x Depth	23.4" x 24.5"
Height	31.5"
Depth with Door Open at 90°	51.5"
Adjustable Shelves	3
Shelf Dimensions (W x D)	(1) 19.13" x 17" , (2) 19.13 x 12"
Crated Weight	115 lbs.
Crated Shipping Dimensions (WxDxH)	26.8" x 24" x 36.6"

Electrical / Refrigeration

One Section HR24B

Voltage	115/60/1
HACR Breaker	15.0 Amps
Electrical Connection (NEMA)	5-15P 
Voltage Range	104-127
Ambient Temp. Range	61° to 86°F
Control Setpoint Range	34° to 52°F
Amperage	1.15
Energy Consumption (kWh/day) @ASHRAE	0.51
Heat Rejection (BTU/Hr.) @NSF	145
Approx. Nominal Compres. BTU/HR (HP)	501 (1/12HP)
Refrigerant (charge amount, oz.)	R600a (1.33 oz.)

Options

Glass Shelves

Warranty

* 3 Year - parts and Labor on entire machine.

Valid in United States, Canada, Puerto Rico and U.S. Territories. Contact factory for warranty in other countries.

Hoshizaki reserves the right to change specifications without notice.



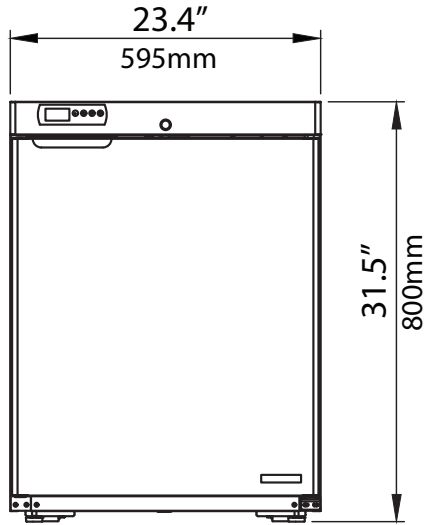
HR24B

Compact Undercounter Reach-in Refrigerator

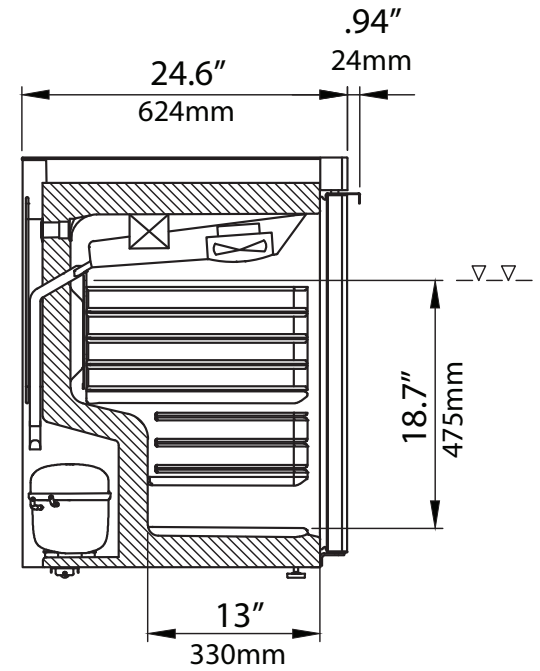


HR24B
05/12/19
Item # 13256

FRONT VIEW

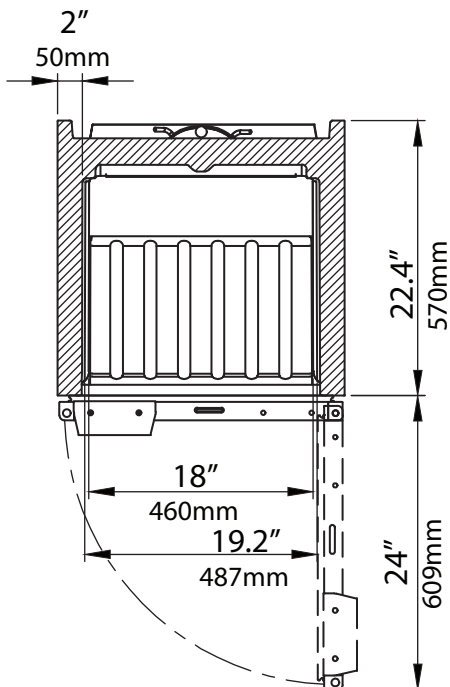


SIDE VIEW



inch
[mm]

PLAN VIEW



TOP TRIM PANEL

