

### SteamCraft® Equipment Stands

OPEN TYPE STAND,  
ALL STAINLESS STEEL,

#### Cleveland Standard Features

- Preset mounting holes for positioning unit into proper location
- All stainless steel welded construction with 1 1/4" square tubing
- Level adjustable feet (rear feet are flanged for floor bolting)
- Stainless steel bottom shelf

#### Accessories

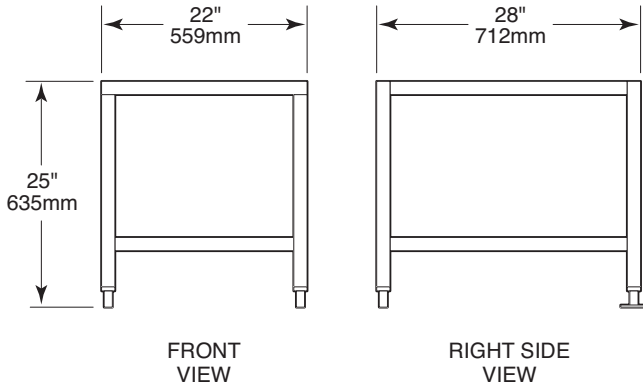
- POSK Pull-Out Shelf Kit (P/N 111724)
- URK Pan Rack Kit (P/N 111726)

- MODELS:**  UNISTAND25 - Stacking Stand used for stacking two 21-CET-8's  
 UNISTAND34 - Stand used for a single unit 21-CET-8, 21-CET-16 or 21-CGA-5

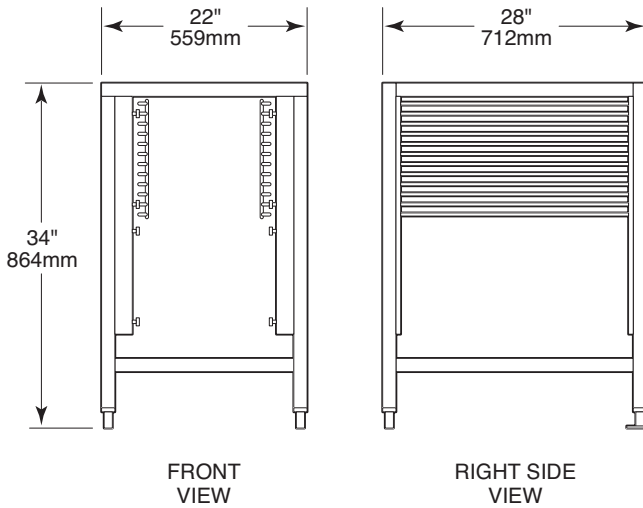


#### Short Form Specifications

Shall be CLEVELAND, ES \_\_\_\_\_ open type Equipment Stands for mounting one or two **SteamCrafts®**. All Stainless Steel welded construction with 1 1/4" square tubing. Furnished with Level Adjustable Feet (rear feet are flanged for floor bolting). Preset mounting Holes for positioning unit into proper location.



**MODEL: UNISTAND25**  
 STACKING STAND USED  
 FOR STACKING:  
 TWO 21-CET-8's



**MODEL: UNISTAND34**  
 STAND USED FOR MOUNTING:  
 ONE 21-CET-8  
 or  
 ONE 21-CET-16  
 or  
 ONE 21-CGA-5  
 SHOWN WITH OPTIONAL  
 PAN RACK KIT AND PULLOUT SHELF

**NOTES:**  
 Cleveland Range reserves right of design improvement or modification, as warranted.  
 Many regional, state and local codes exist and it is the responsibility of the owner and installer to comply with the codes.  
 Cleveland Range equipment is built to comply with applicable standards for manufacturers. Included among those approval agencies are UL/NSF#4