



T&S BRASS AND BRONZE WORKS, INC.

2 Saddleback Cove / P.O. Box 1088
Travelers Rest, SC 29690

Model No.

B-0717

Item No.

Travelers Rest, SC: 800-476-4103 • Simi Valley, CA: 800-423-0150 • Fax: 864-834-3518 • www.tsbrass.com

This Space for Architect/Engineer Approval

Job Name _____ Date _____

Model Specified _____ Quantity _____

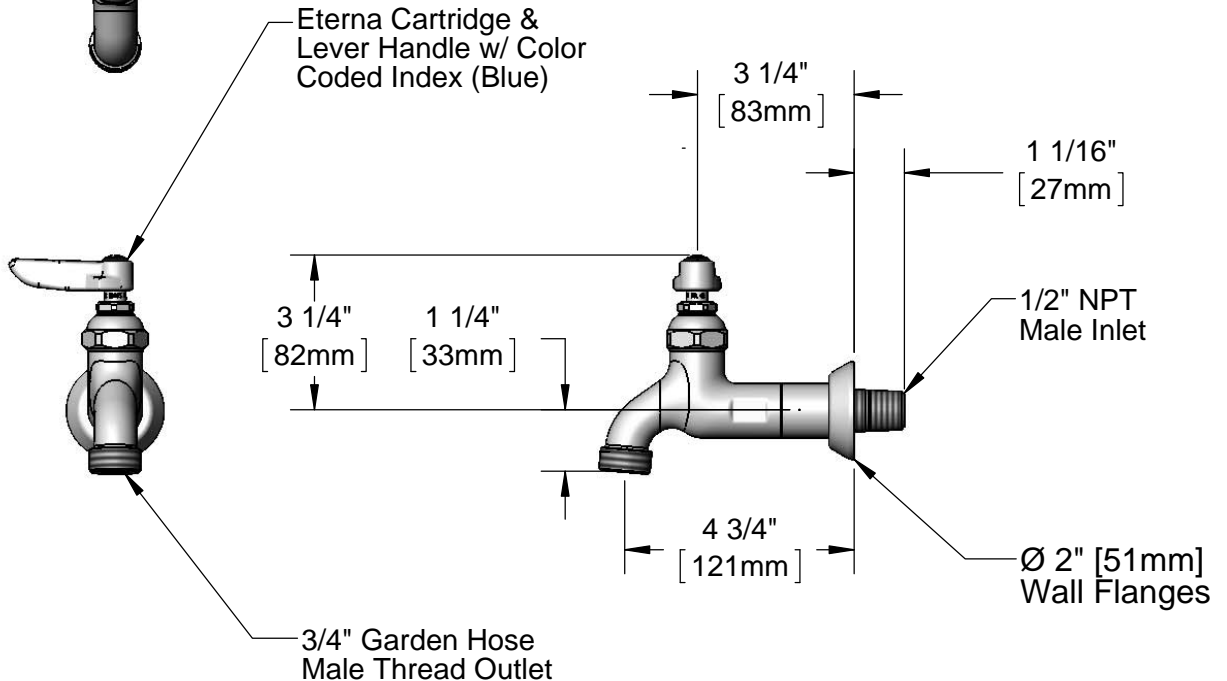
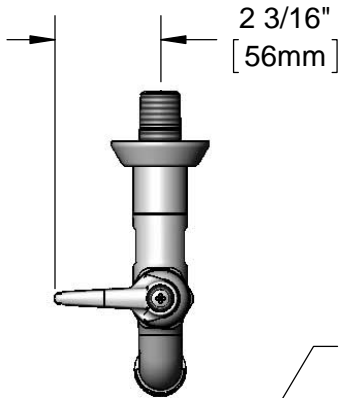
Customer/Wholesaler _____

Contractor _____

Architect/Engineer _____



ADA Compliant



Rough-In Requirement:
Ø 1" [25mm] Mounting Hole

Product Specifications:

Single Sink Wall Mount Faucet w/ Eterna Cartridge, Lever Handle w/ "Blue" Index, 3/4" Garden Hose Male Thread Outlet, Ø 2" Wall Flange w/ 1/2" NPT Male Inlet

Drawn

DHL

Checked

DMH

Approved

JHB

Scale:

1:4

Date:

11/02/12



T&S BRASS AND BRONZE WORKS, INC.

2 Saddleback Cove / P.O. Box 1088

Travelers Rest, SC 29690

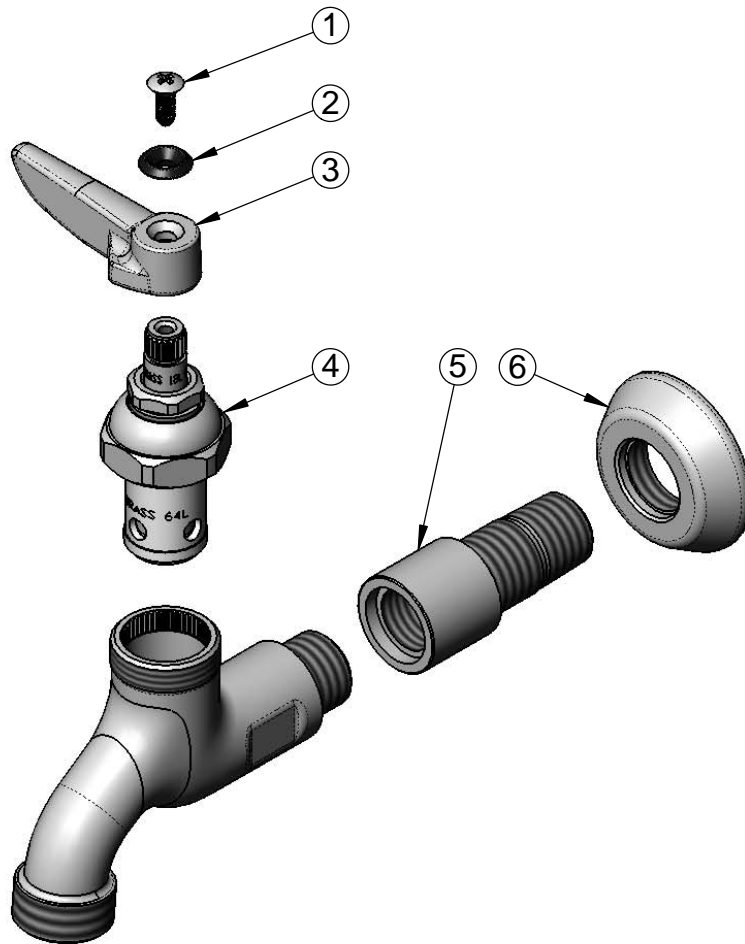
Model No.

B-0717

Item No.

Travelers Rest, SC: 800-476-4103 • Simi Valley, CA: 800-423-0150 • Fax: 864-834-3518 • www.tsbrass.com

ITEM NO.	SALES NO.	DESCRIPTION
1	000922-45	Lever Handle Screw
2	001660-45	Blue Index-CW
3	001638-45	Lever Handle
4	005960-40	Eterna Cartridge, RTC
5	005339-40	Nipple, B-0715
6	000023-40	Adjustable Wall Flange



Product Specifications:
 Single Sink Wall Mount Faucet w/ Eterna Cartridge, Lever Handle
 w/ "Blue" Index, 3/4" Garden Hose Male Thread Outlet,
 Ø 2" Wall Flange w/ 1/2" NPT Male Inlet

Drawn DHL	Checked DMH	Approved JHB
Scale: NTS		Date: 11/02/12