



# T&S BRASS AND BRONZE WORKS, INC.

2 Saddleback Cove / P.O. Box 1088  
Travelers Rest, SC 29690



REG. #A2601  
ISO #9001

Model No.

**B-0331**

Item No.

Travelers Rest, SC: 800-476-4103 • Simi Valley, CA: 800-423-0150 • Fax: 864-834-3518 • www.tsbrass.com

This Space for Architect/Engineer Approval

Job Name \_\_\_\_\_ Date \_\_\_\_\_

Model Specified \_\_\_\_\_ Quantity \_\_\_\_\_

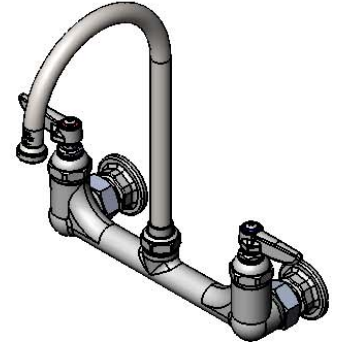
Customer/Wholesaler \_\_\_\_\_

Contractor \_\_\_\_\_

Architect/Engineer \_\_\_\_\_

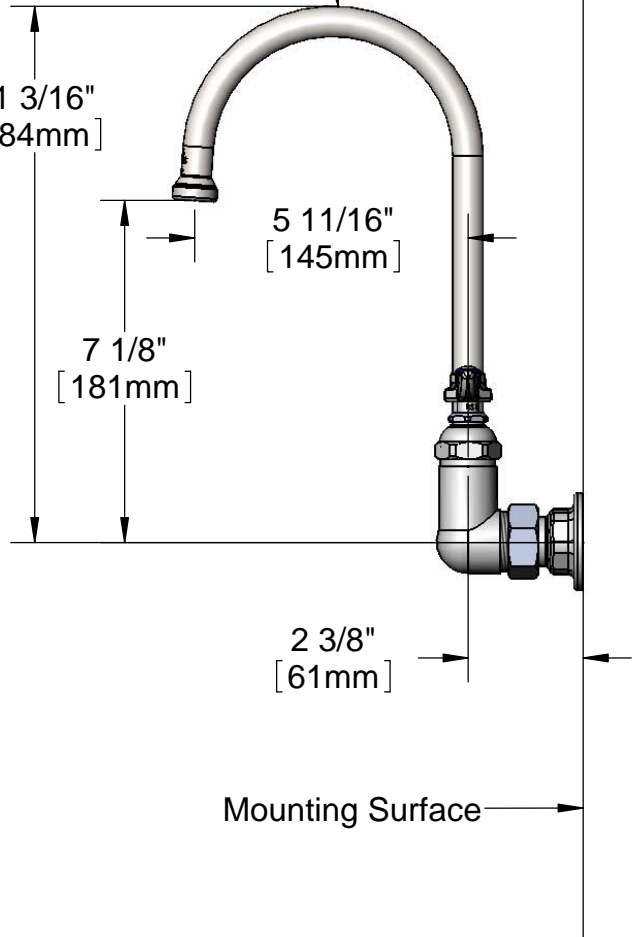
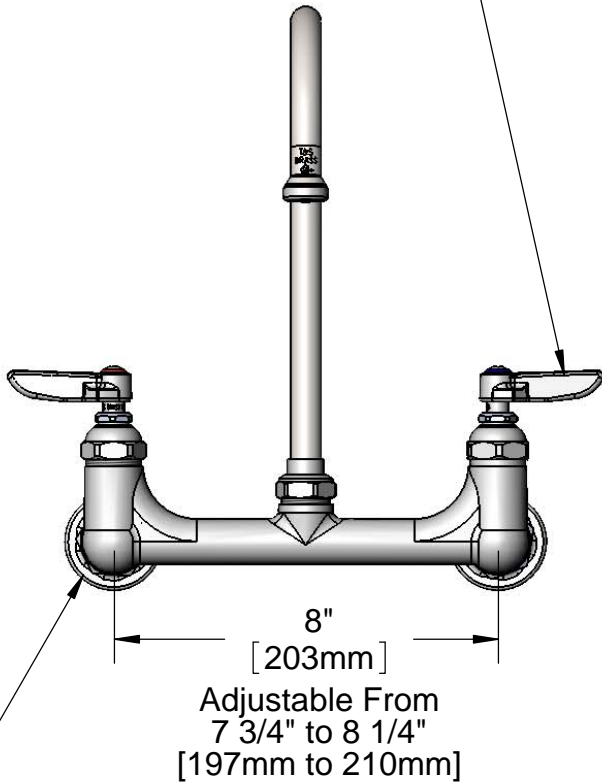


**ADA Compliant**



Eterna Cartridges &  
Lever Handles w/  
Color Coded Indexes

133X  
Swivel Gooseneck w/  
B-PT  
Stream Regulator



Ø 2" [51mm]  
Flanges w/  
1/2" NPT  
Female Inlets

**Product Specifications:**

8" c/c Mixing Faucet (Wall Mount), 6" Swivel Gooseneck w/ B-PT Stream Regulator, Lever Handles & 1/2" NPT Female Inlets

Drawn

**DHL**

Checked

**KJG**

Approved

**JHB**

Scale:

**1:4**

Date:

**06/17/11**



**T&S BRASS AND BRONZE WORKS, INC.**

2 Saddleback Cove / P.O. Box 1088  
Travelers Rest, SC 29690



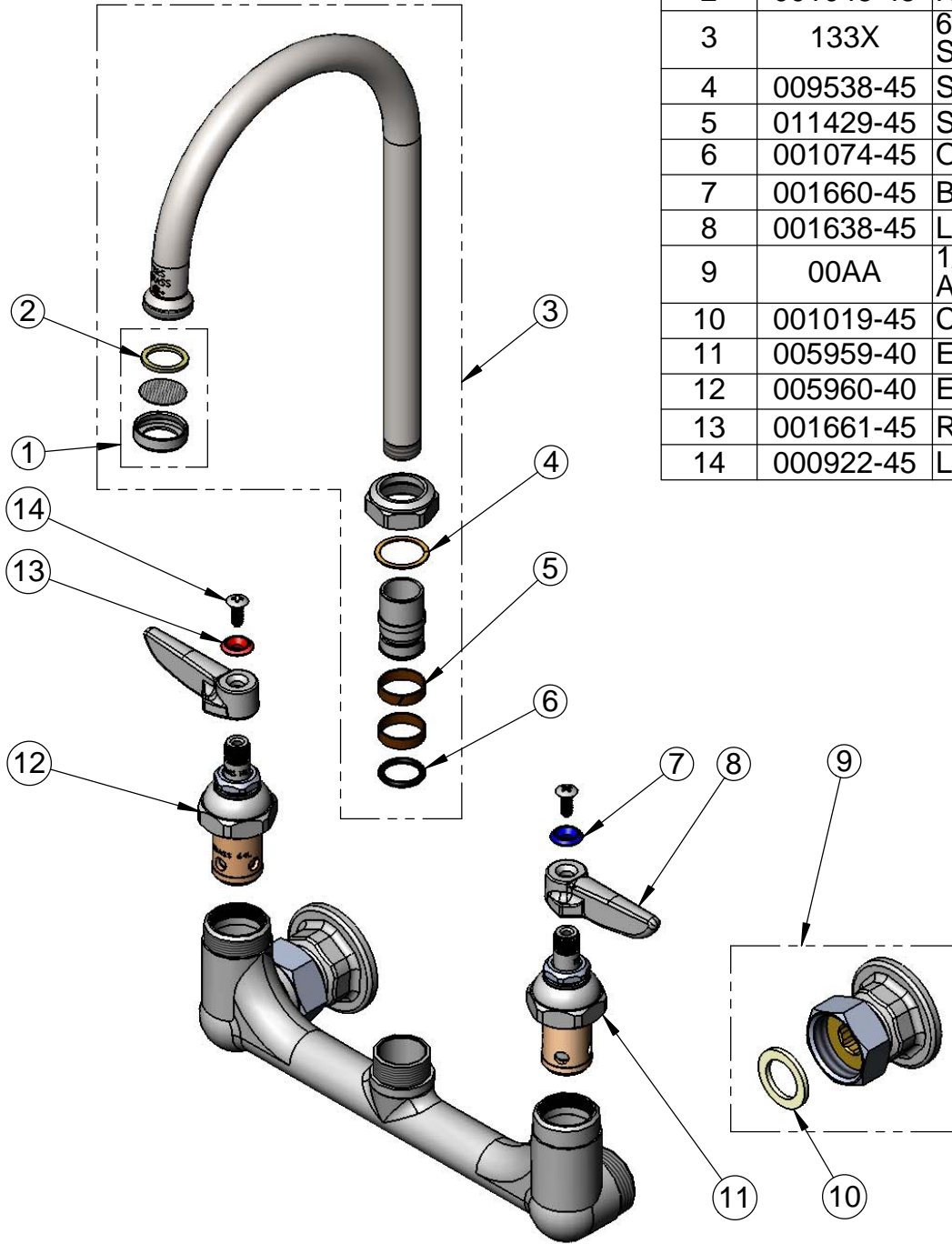
REG. #A2601  
ISO #9001

Model No.

**B-0331**

Item No.

Travelers Rest, SC: 800-476-4103 • Simi Valley, CA: 800-423-0150 • Fax: 864-834-3518 • www.tsbrass.com



ITEM NO.	SALES NO.	DESCRIPTION
1	B-PT	Stream Regulator
2	001048-45	Nozzle Tip Washer
3	133X	6" Swivel Gooseneck w/ B-PT Stream Regulator
4	009538-45	Swivel Washer
5	011429-45	Swivel Sleeves (2)
6	001074-45	O-Ring
7	001660-45	Blue Index-CW
8	001638-45	Lever Handle
9	00AA	1/2" NPT Female Flange Assembly
10	001019-45	Coupling Nut Washer
11	005959-40	Eterna Cartridge - LTC
12	005960-40	Eterna Cartridge - RTC
13	001661-45	Red Index-HW
14	000922-45	Lever Handle Screw

Product Specifications:

8" c/c Mixing Faucet (Wall Mount), 6" Swivel Gooseneck w/ B-PT Stream Regulator, Lever Handles & 1/2" NPT Female Inlets

Drawn

DHL

Checked

KJG

Approved

JHB

Scale:

NTS

Date:

06/17/11