



T&S BRASS AND BRONZE WORKS, INC.

2 Saddleback Cove / P.O. Box 1088
Travelers Rest, SC 29690

Model No.

B-0321

Item No.

Travelers Rest, SC: 800-476-4103 • Simi Valley, CA: 800-423-0150 • Fax: 864-834-3518 • www.tsbrass.com

This Space for Architect/Engineer Approval

Job Name _____ Date _____

Model Specified _____ Quantity _____

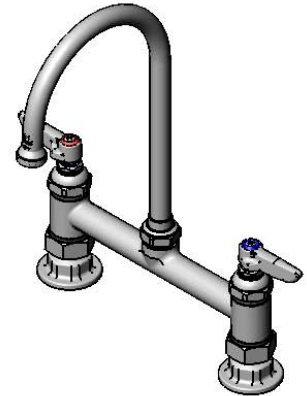
Customer/Wholesaler _____

Contractor _____

Architect/Engineer _____

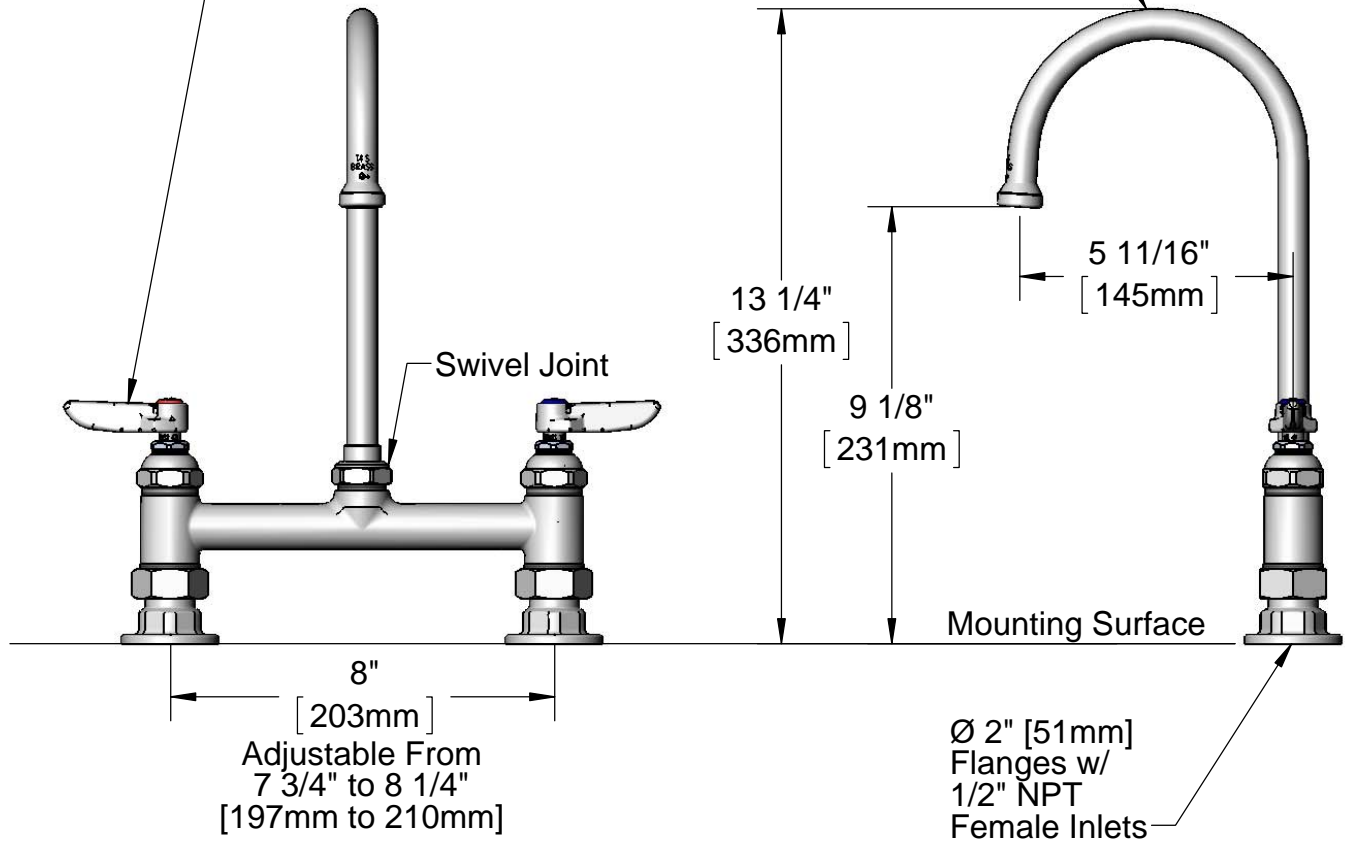


ADA Compliant



Eterna Cartridges & Lever Handles w/ Color Coded Indexes

133X Swivel Gooseneck w/ B-PT Stream Regulator Outlet



Product Specifications:

8" C/C Deck Mount Mixing Faucet w/ Eterna Cartridges, Lever Handles, Swivel Gooseneck w/ B-PT Stream Regulator Outlet & 1/2" NPT Female Inlets

Drawn

DHL

Checked

KJG

Approved

JHB

Scale:

1:4

Date:

01/05/12



T&S BRASS AND BRONZE WORKS, INC.

2 Saddleback Cove / P.O. Box 1088
Travelers Rest, SC 29690

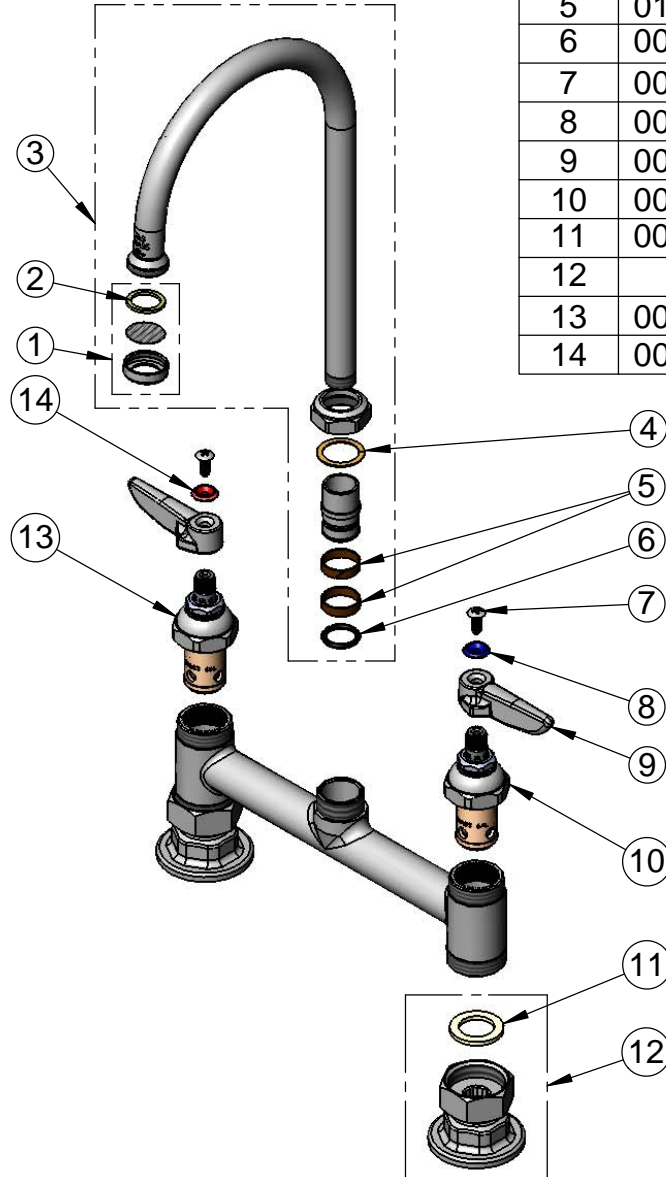
Model No.

B-0321

Item No.

Travelers Rest, SC: 800-476-4103 • Simi Valley, CA: 800-423-0150 • Fax: 864-834-3518 • www.tsbrass.com

ITEM NO.	SALES NO.	DESCRIPTION
1	B-PT	Stream Regulator Outlet
2	001048-45	Nozzle Tip Washer
3	133X	Swivel Gooseneck w/ B-PT Stream Regulator
4	009538-45	Swivel Washer
5	011429-45	Swivel Sleeves (2)
6	001074-45	O-Ring
7	000922-45	Lever Handle Screw
8	001660-45	Blue Index-CW
9	001638-45	Lever Handle
10	005959-40	Cold Eterna LTC
11	001019-45	Coupling Nut Washer
12	00AA	Flange Assembly
13	005960-40	Hot Eterna RTC
14	001661-45	Red Index-HW



Product Specifications:

8" C/C Deck Mount Mixing Faucet w/ Eterna Cartridges, Lever Handles, Swivel Gooseneck w/ B-PT Stream Regulator Outlet & 1/2" NPT Female Inlets

Drawn

DHL

Checked

KJG

Approved

JHB

Scale:

NTS

Date:

01/05/12