



T&S BRASS AND BRONZE WORKS, INC.

2 Saddleback Cove / P.O. Box 1088
Travelers Rest, SC 29690

Model No.

B-0290

Item No.

Travelers Rest, SC: 800-476-4103 • Simi Valley, CA: 800-423-0150 • Fax: 864-834-3518 • www.tsbrass.com



ADA Compliant

This Space for Architect/Engineer Approval

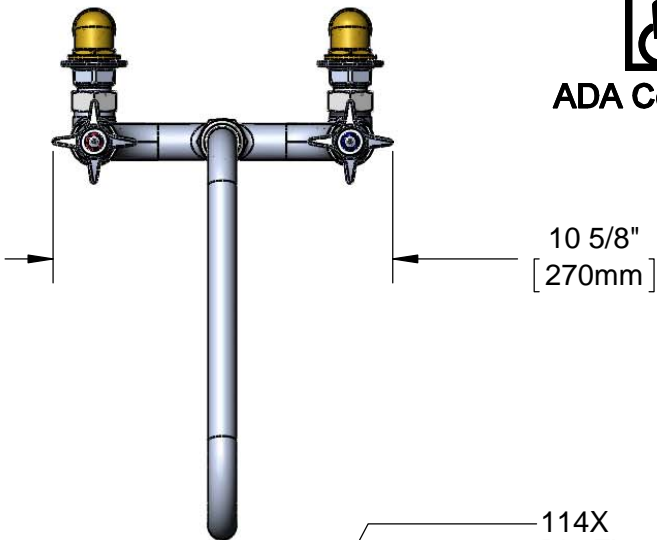
Job Name _____ Date _____

Model Specified _____ Quantity _____

Customer/Wholesaler _____

Contractor _____

Architect/Engineer _____

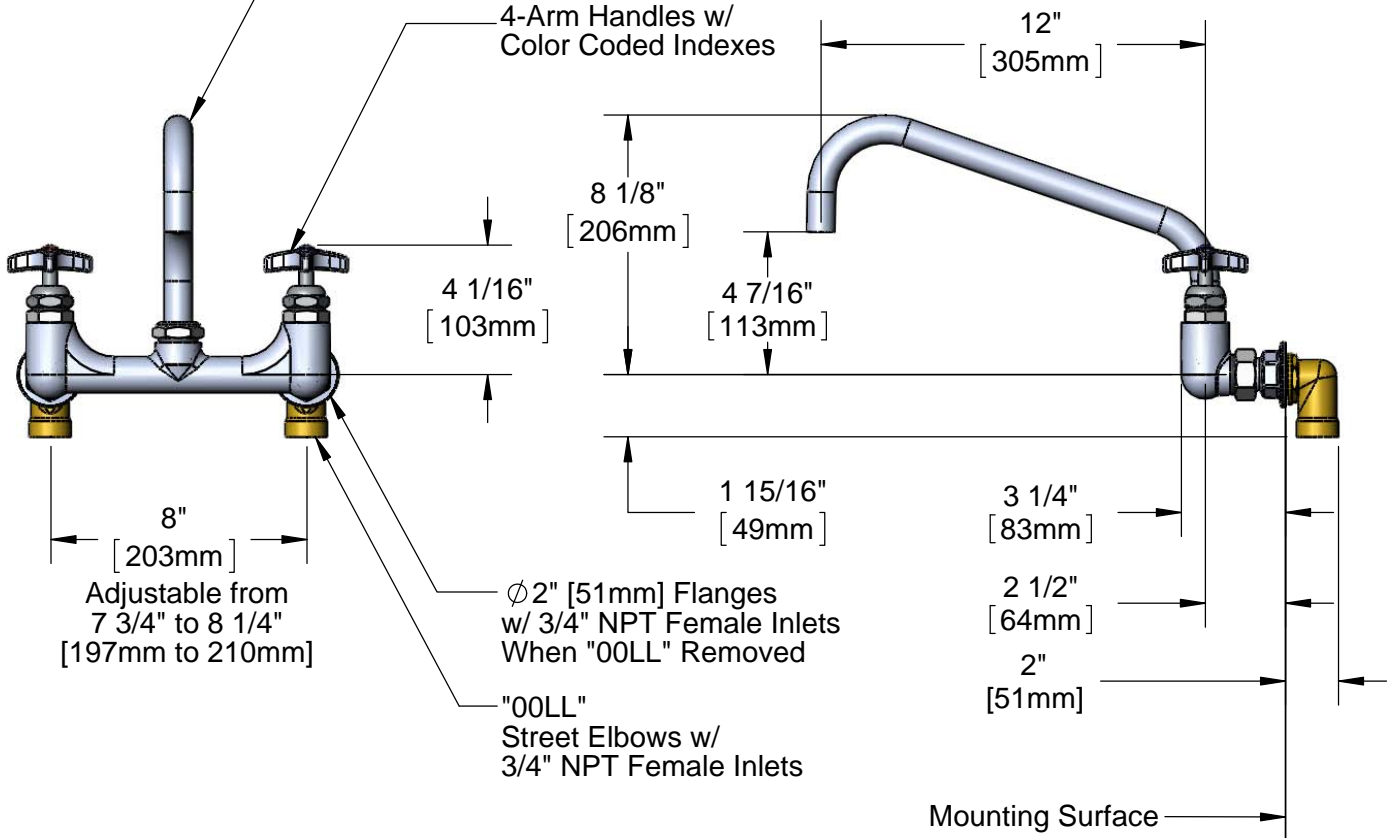


10 5/8"
[270mm]



114X
Big-Flo 12" Swing Nozzle
w/ Plain End Outlet

4-Arm Handles w/
Color Coded Indexes



Product Specifications:

Kettle & Pot Sink Mixing Faucet w/ Big-Flo 12" Swing Nozzle, Plain End Outlet, 4-Arm Kitchen Handles & 3/4" NPT Street Elbows

Drawn

DHL

Checked

DMH

Approved

JHB

Scale:

1:4

Date:

02/11/13



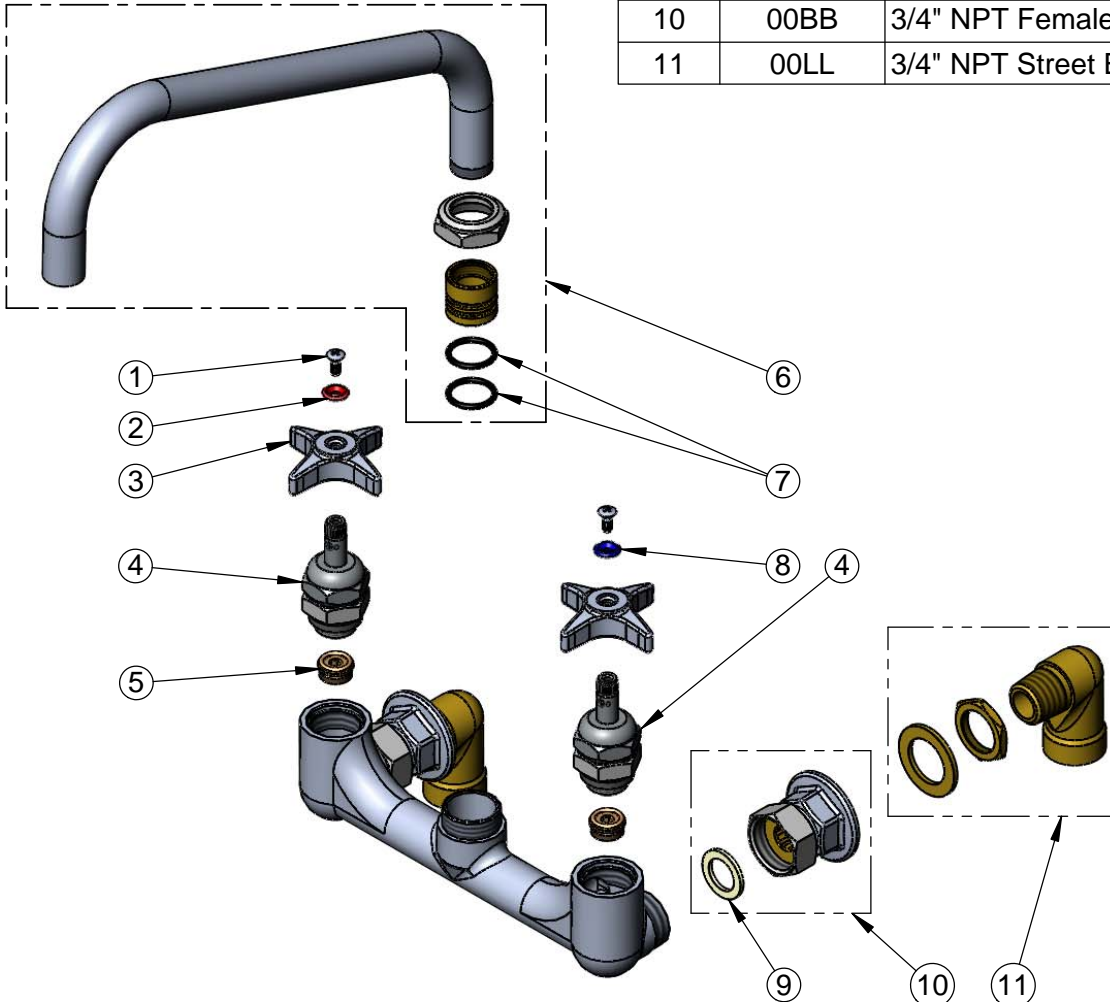
T&S BRASS AND BRONZE WORKS, INC.
 2 Saddleback Cove / P.O. Box 1088
 Travelers Rest, SC 29690

Model No.
B-0290

Item No.

Travelers Rest, SC: 800-476-4103 • Simi Valley, CA: 800-423-0150 • Fax: 864-834-3518 • www.tsbrass.com

ITEM NO.	SALES NO.	DESCRIPTION
1	000922-45	Lever Handle Screw
2	001661-45	Red Index-HW
3	002521-45	4-Arm Handle
4	006482-40	B-0290 Big-Flo Cartridge, RTC
5	000764-20	Seat, Big-Flo
6	114X	12" Big-Flo Swing Nozzle
7	001068-45	O-ring, Size -118
8	001660-45	Blue Index-CW
9	001019-45	Coupling Nut Washer
10	00BB	3/4" NPT Female Eccentric Flange
11	00LL	3/4" NPT Street Elbow Inlet



Product Specifications:
 Kettle & Pot Sink Mixing Faucet w/ Big-Flo 12" Swing Nozzle,
 Plain End Outlet, 4-Arm Kitchen Handles & 3/4" NPT Street Elbows

Drawn DHL	Checked DMH	Approved JHB
Scale: NTS		Date: 02/11/13