



T&S BRASS AND BRONZE WORKS, INC.

2 Saddleback Cove / P.O. Box 1088
Travelers Rest, SC 29690



REG. #A2601
ISO #9001

Model No.
B-0208

Item No.

Travelers Rest, SC: 800-476-4103 Simi Valley, CA: 800-423-0150 Fax: 864-834-3518 www.tsbrass.com

This Space for Architect/Engineer Approval

Job Name _____ Date _____

Model Specified _____ Quantity _____

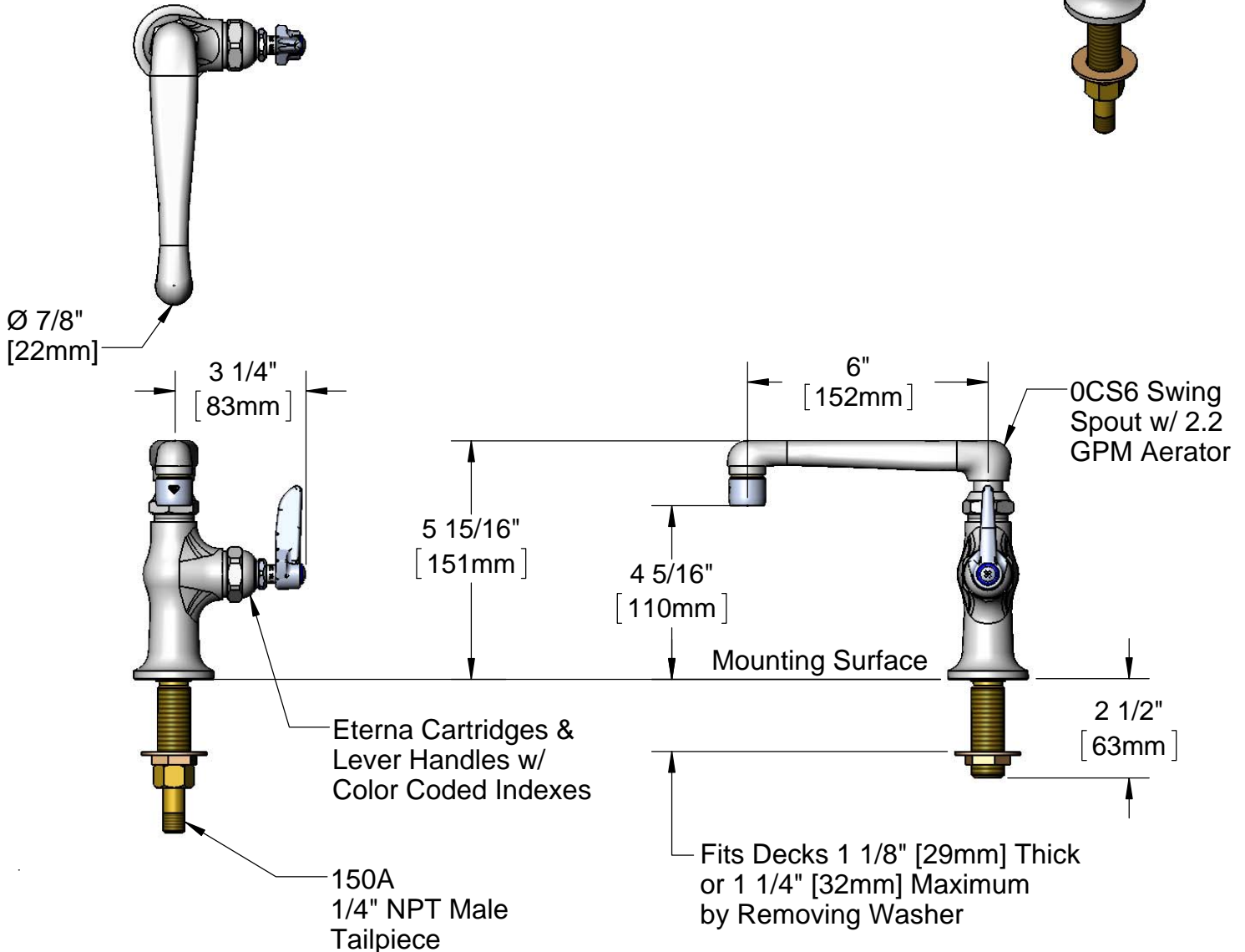
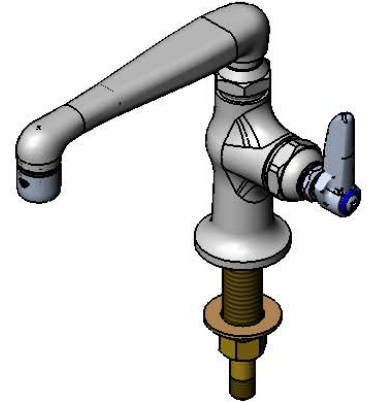
Customer/Wholesaler _____

Contractor _____

Architect/Engineer _____



ADA Compliant



Note: Rough-In Requirement
 $\text{Ø } 1''$ [25mm] Mounting Hole

Product Specifications:

Single Temperature Deck Mount Faucet w/ 1/2" NPSM Male Shank, Eterna Cartridge, Lever Handle, & 6" Cast Spout w/ 2.2 GPM Aerator

Drawn DHL	Checked KJG	Approved JHB
Scale: 1:4		Date: 11/10/11



T&S BRASS AND BRONZE WORKS, INC.

2 Saddleback Cove / P.O. Box 1088

Travelers Rest, SC 29690

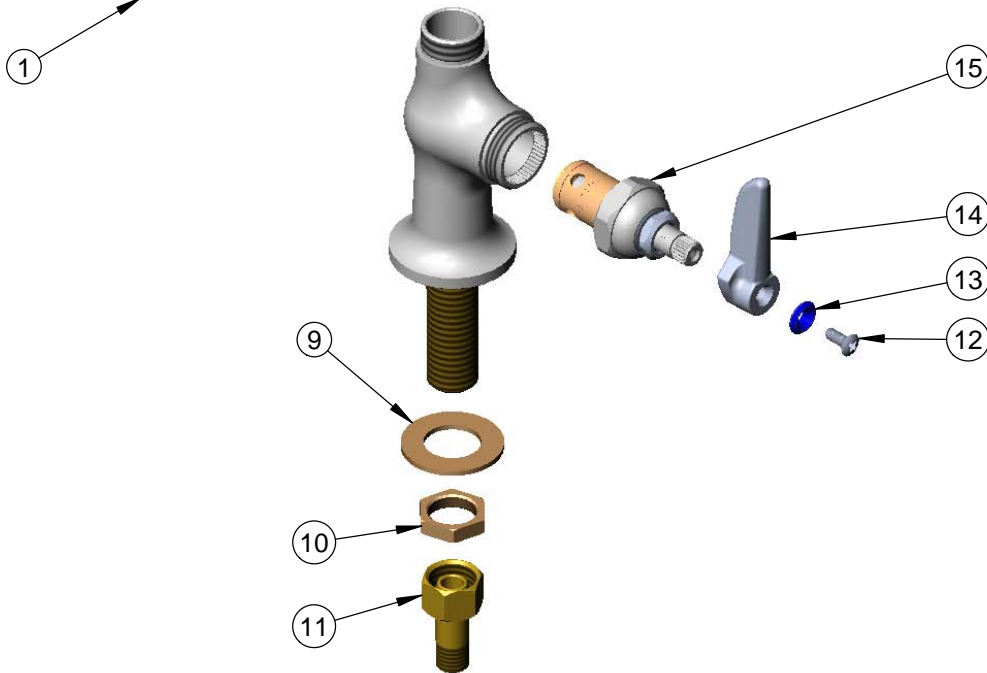
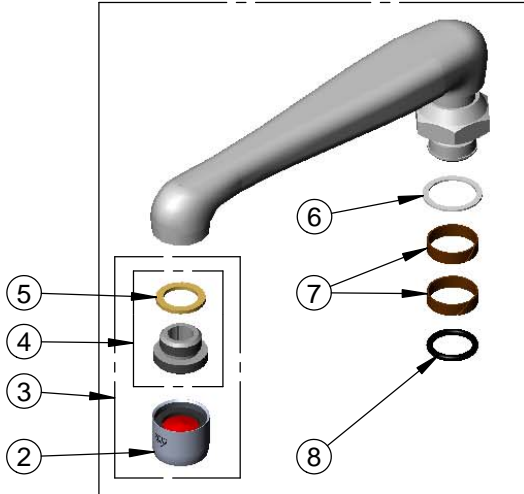
Model No.

B-0208

Item No.

Travelers Rest, SC: 800-476-4103 • Simi Valley, CA: 800-423-0150 • Fax: 864-834-3518 • www.tsbrass.com

ITEM NO.	SALES NO.	DESCRIPTION
1	0CS6	6" Cast Spout
2	B-0199-01	2.2 GPM Aerator, Female
3	B-0199-02	2.2 GPM Aerator w/ 3/8" NPT Male Thread Aerator
4	044A	3/8" to Aerator Adapter
5	001043-45	Washer
6	009E	Plastic Washer
7	011429-45	Swivel Sleeves (2)
8	001074-45	O-Ring
9	000999-45	Brass Lock Washer
10	002954-45	Shank Lock Nut
11	150A	Bag of (1) Tailpiece & (1) Nut
12	000922-45	Lever Handle Screw
13	001660-45	Blue Index-CW
14	001638-45	Lever Handle
15	005960-40	Eterna Cartridge, RTC



Product Specifications:

Single Temperature Deck Mount Faucet w/ 1/2" NPSM Male Shank, Eterna Cartridge, Lever Handle, & 6" Cast Spout w/ 2.2 GPM Aerator

Drawn

DHL

Checked

KJG

Approved

JHB

Scale:

NTS

Date:

11/10/11