



T&S BRASS AND BRONZE WORKS, INC.

2 Saddleback Cove / P.O. Box 1088
Travelers Rest, SC 29690

Model No.

B-0133-ADF-LN

Item No.

Travelers Rest, SC: 800-476-4103 • Simi Valley, CA: 800-423-0150 • Fax: 864-834-3518 • www.tsbrass.com

EPAAct2005 COMPLIANT

This Space for Architect/Engineer Approval

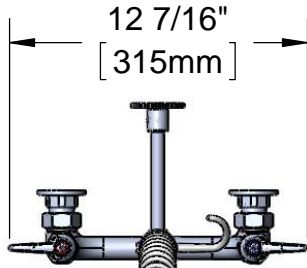
Job Name _____ Date _____

Model Specified _____ Quantity _____

Customer/Wholesaler _____

Contractor _____

Architect/Engineer _____



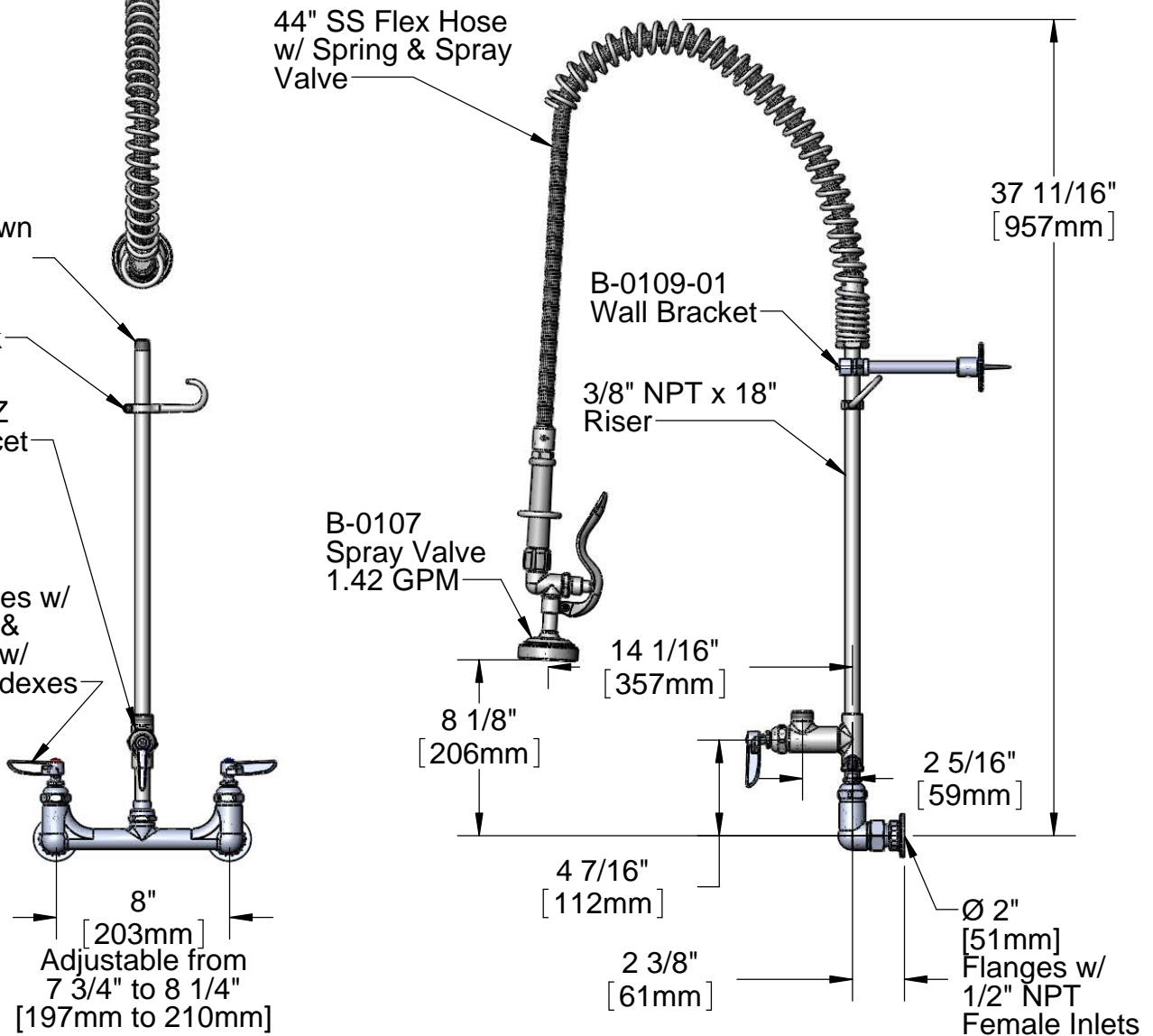
44" SS Flex Hose w/ Spring & Spray Valve

Items Not Shown for Clarity

Finger Hook

B-0155-LNEZ Add-On Faucet

Eterna Cartridges w/ Spring Checks & Lever Handles w/ Color Coded Indexes



Product Specifications:

EasyInstall Pre-Rinse Wall Mount Mixing Faucet, Eterna Cartridges w/ Spring Checks, Add-On Faucet Less Nozzle, B-0044-H Stainless Steel Flex Hose, B-0107 Spray Valve, & Wall Bracket

Drawn

JRM

Checked

DHL

Approved

JHB

Scale:

1:8

Date:

05/29/12



T&S BRASS AND BRONZE WORKS, INC.

2 Saddleback Cove / P.O. Box 1088
Travelers Rest, SC 29690

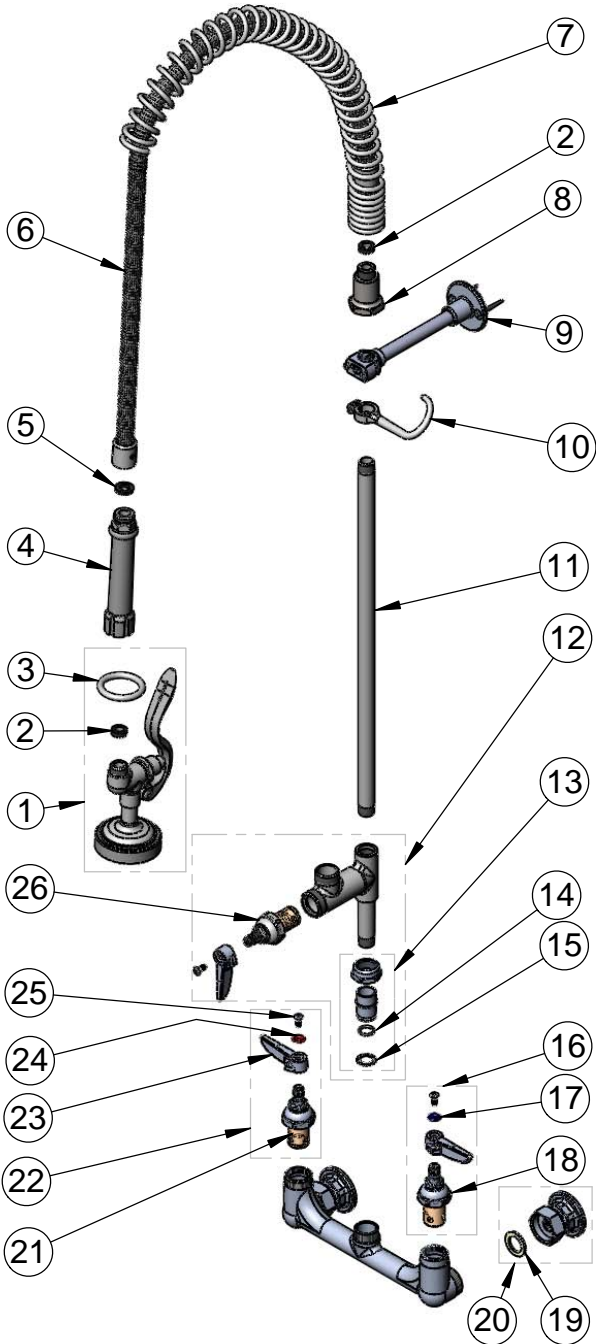
Model No.

B-0133-ADF-LN

Item No.

Travelers Rest, SC: 800-476-4103 • Simi Valley, CA: 800-423-0150 • Fax: 864-834-3518 • www.tsbrass.com

ITEM NO.	SALES NO.	DESCRIPTION
1	B-0107	Spray Valve Assembly
2	010476-45	#27 Washer
3	000907-45	Spray Valve Hold Down Ring
4	002987-40	Handle Grip
5	001014-45	Washer, B-0100 Hose Barrel
6	B-0044-H2A	SS Flex Hose
7	000888-45	EasyInstall Overhead Spring
8	000821-40	Spring Body
9	B-0109-01	6" Wall Bracket
10	004R	Finger Hook Assembly
11	000369-40	3/8" NPT x 18" Long Riser
12	B-0155-LNEZ	EasyInstall Add-On Faucet Less Nozzle
13	EZ-K	EasyInstall Retro Fit Kit, Nut, Bushing O-Ring & Lock Washer
14	001065-45	EasyInstall O-Ring
15	014200-45	Star Washer, Anti-Rotation
16	002711-40	Eterna Cartridge, LTC w/ Spring Check, Handle, Index & Screw
17	001660-45	Blue Index-CW
18	012442-40	Eterna Cartridge, LTC w/ Spring Check
19	001019-45	Coupling Nut Washer
20	00AA	Coupling Flange Assembly
21	012443-40	Eterna Cartridge, RTC w/ Spring Check
22	002712-40	Eterna Cartridge, RTC w/ Spring Check, Handle, Index & Screw
23	001638-45	Lever Handle
24	001661-45	Red Index-HW
25	000922-45	Lever Handle Screw
26	007947-40	Quarter Turn Hot Eterna Cartridge



Product Specifications:

EasyInstall Pre-Rinse Wall Mount Mixing Faucet, Eterna Cartridges w/ Spring Checks, Add-On Faucet Less Nozzle, B-0044-H Stainless Steel Flex Hose, B-0107 Spray Valve, & Wall Bracket

Drawn

JRM

Checked

DHL

Approved

JHB

Scale:

NTS

Date:

05/29/12