



T&S BRASS AND BRONZE WORKS, INC.

2 Saddleback Cove / P.O. Box 1088
Travelers Rest, SC 29690



REG. #A2601
ISO #9001

Model No.

B-0133-01

Item No.

Travelers Rest, SC: 800-476-4103 Simi Valley, CA: 800-423-0150 Fax: 864-834-3518 www.tsbrass.com

This Space for Architect/Engineer Approval

Job Name _____ Date _____

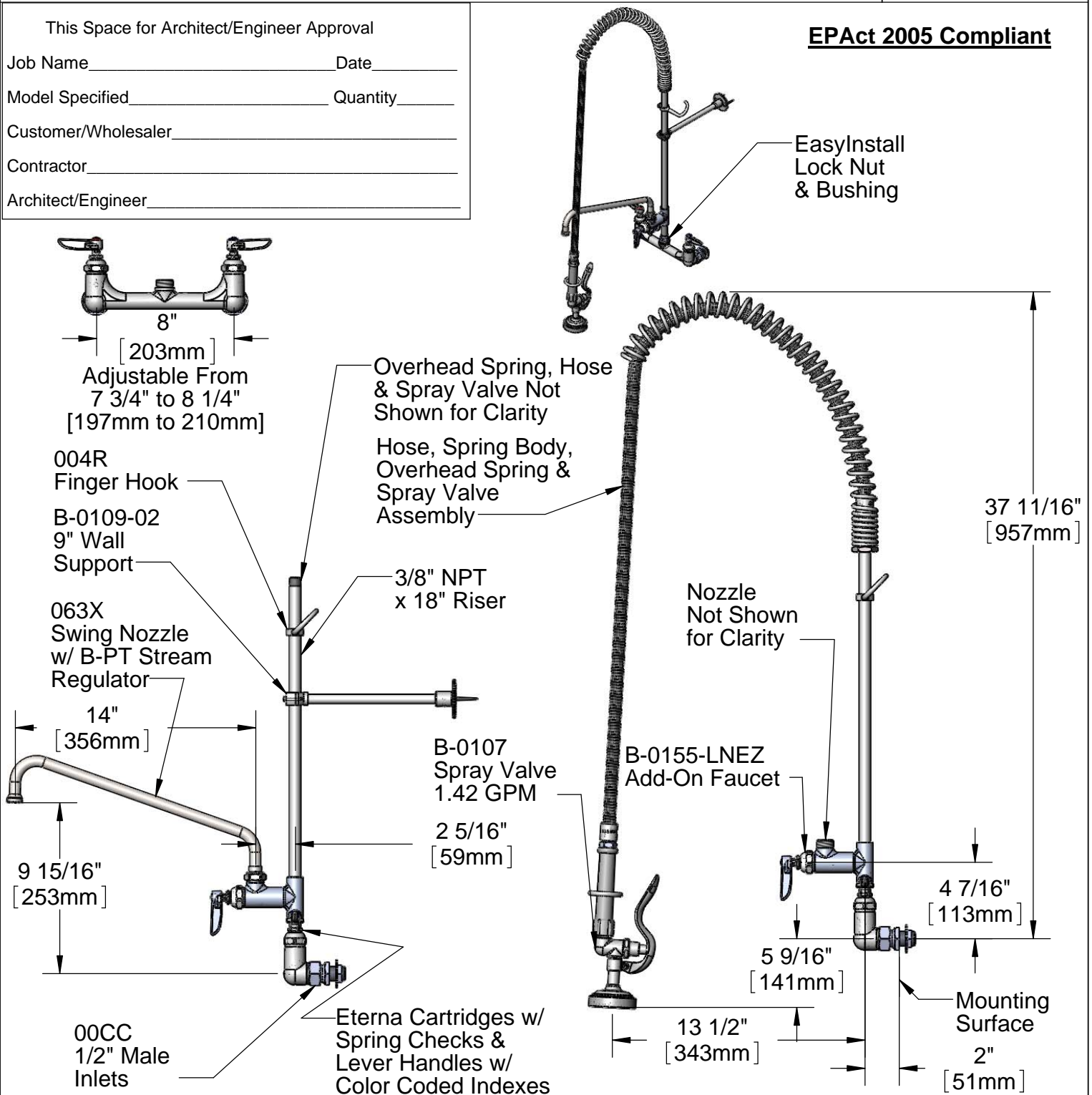
Model Specified _____ Quantity _____

Customer/Wholesaler _____

Contractor _____

Architect/Engineer _____

EPAct 2005 Compliant



Product Specifications: EasyInstall Pre-Rinse Unit: 8" c/c Wall Mount Mixing Faucet, 00CC 1/2" NPT Male Inlets, 18" Riser, Overhead Spring, 56" Flex Hose, B-0107 Spray Valve, 063X Swing Nozzle, Add-On Faucet & B-0109-02 9" Wall Support	Drawn JRM	Checked DMH	Approved JHB
	Scale: 1:8	Date: 07/14/11	
Sheet: 1 of 2			



T&S BRASS AND BRONZE WORKS, INC.

2 Saddleback Cove / P.O. Box 1088
Travelers Rest, SC 29690



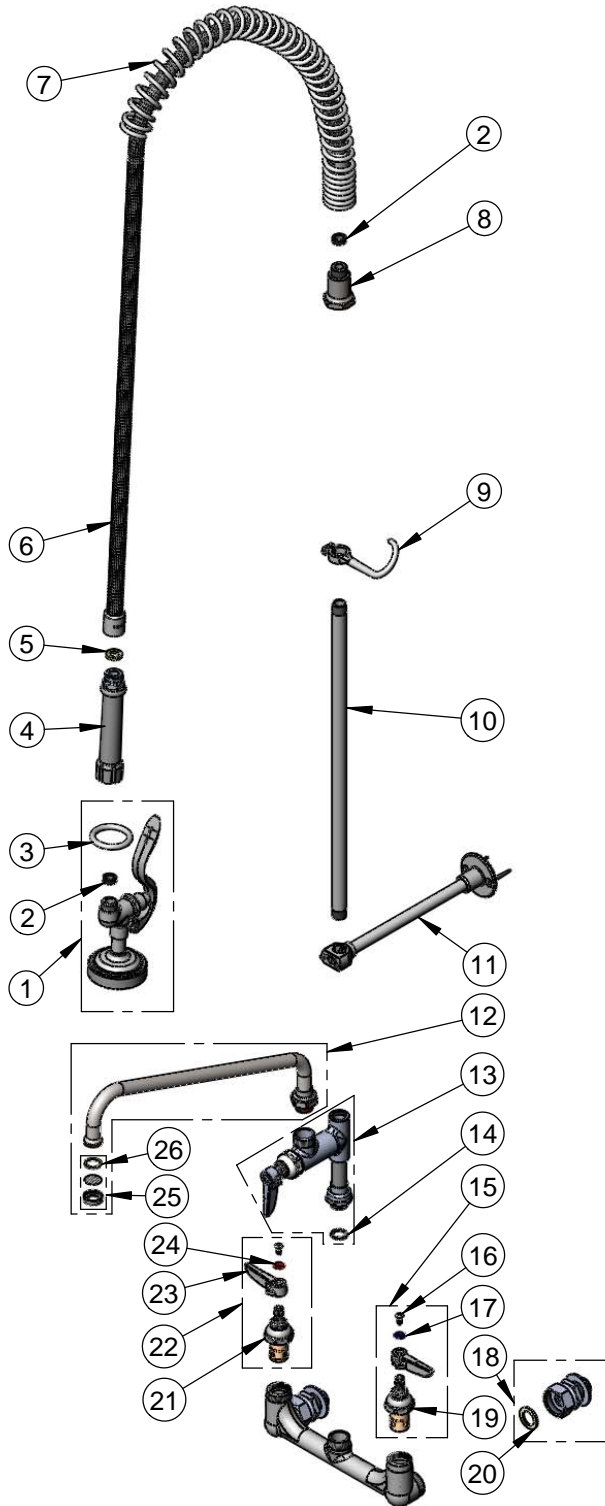
REG. #A2601
ISO #9001

Model No.

B-0133-01

Item No.

Travelers Rest, SC: 800-476-4103 Simi Valley, CA: 800-423-0150 Fax: 864-834-3518 www.tsbrass.com



ITEM NO.	SALES NO.	DESCRIPTION
1	B-0107	Spray Valve Assembly w/ Hold Down Ring & Washer
2	010476-45	#27 Washer
3	000907-45	Spray Valve Hold Down Ring
4	002987-40	Grip Handle Assembly
5	001014-45	Washer, B-0100 Hose Barrel
6	B-0056-H2A	56" Flex Hose Assembly, Less Handle
7	000888-45	EasyInstall Overhead Spring
8	000821-40	Spring Body
9	004R	Finger Hook Assembly
10	000369-40	3/8" NPT x 18" Long Riser
11	B-0109-02	9" Wall Support Assembly
12	063X	14" Swing Nozzle Assembly
13	B-0155-LNEZ	EasyInstall Add-On Faucet Less Nozzle
14	014200-45	Star Washer, Anti-Rotation
15	002711-40	Cold Eterna Cartridge w/ Spring Check, Handle, Index & Screw
16	000922-45	Lever Handle Screw
17	001660-45	Blue Index-CW
18	00CC	Flange Coupling Nut
19	012442-40	Cold Eterna Cartridge w/ Spring Check
20	001019-45	Coupling Nut Washer
21	012443-40	Hot Eterna Cartridge w/ Spring Check
22	002712-40	Hot Eterna Cartridge w/ Spring Check, Handle, Index & Screw
23	001638-45	Lever Handle
24	001661-45	Red Index-HW
25	B-PT	Stream Regulator Outlet
26	001048-45	Nozzle Tip Washer

Product Specifications:

EasyInstall Pre-Rinse Unit: 8" c/c Wall Mount Mixing Faucet, 00CC 1/2" NPT Male Inlets, 18" Riser, Overhead Spring, 56" Flex Hose, B-0107 Spray Valve, 063X Swing Nozzle, Add-On Faucet & B-0109-02 9" Wall Support

Drawn JRM	Checked DMH	Approved JHB
Scale: NTS		Date: 07/14/11