



BEVERAGE-AIR

Project: _____	AIA#
Item: _____	
Location: _____	SIS#
Approved: _____	

DPD FOOD PREPARATION SERIES

DPD93HC Deli/Pizza Prep Table with One Door & Four Drawers
Hydrocarbon Series

MODELS:
DPD93HC-4

DPD93HC Food Preparation : Deli/Pizza Prep Series

3 Year Parts/Labor Warranty
Additional 2 Year Compressor Warranty

CABINET CONSTRUCTION

- Stainless steel front, sides, top, doors, drawers and grille (*galvanized back & bottom*)
- Interior liner is made of corrosion resistant aluminum
- Aluminum top interior liner prevents spill from falling into cabinet
- Stainless steel top
- Removable hoods and insulated lid assemblies are made of matching stainless steel
- Doors are self-closing on cam-lift hinges
- Magnetic gaskets provide positive seal on both doors and drawers
- 120° Stay-open door feature
- Easy lift-off door removal for service and cleaning
- Field reversible doors
- 3" Casters, 2 with brakes standard
- 19" Wide reversible cutting board is removable for easy cleaning
- Two (2) epoxy-coated steel wire shelves per door
- Units will accept pans up to 6" deep (pans are not included)
- Drawer frames are heavy duty stainless steel
- Telescoping slides, with locking mechanism to prevent drawers from being pulled off of cabinet
- Heavy duty locking pan divider supports are standard in drawers
- Maintains product temperatures between 36° - 38°F



DPD93HC-4

OPTIONS & ACCESSORIES

- Stainless steel back and grille
- Stainless steel interior
- Clear lid models
- Door locks
- Bun tray rack
- Composite cutting board
- 6" Casters
- 6" Legs
- Remote option

REFRIGERATION SYSTEM

- Refrigeration system uses R290 refrigerant to comply with all environmental concerns
- Automatic, electric defrost
- Epoxy coated evaporator coil



3779 Champion Blvd., Winston-Salem, NC 27105
1-888-845-9800 Fax: 1-336-245-6453
Beverage-Air.com sales@bevair.com

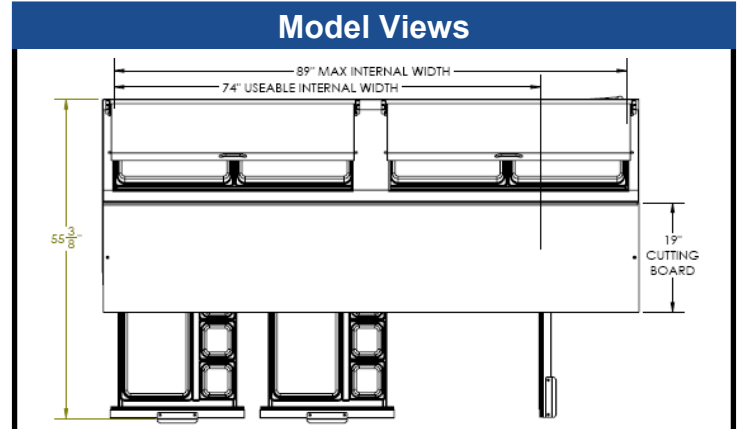


BEVERAGE-AIR

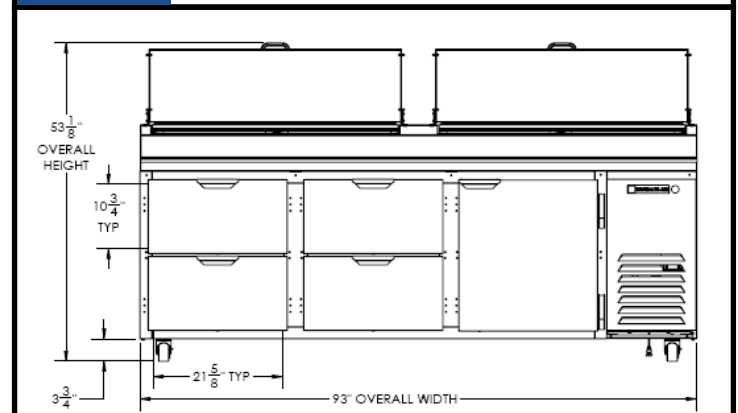
Deli/Pizza Preparation Table

Models: DPD93HC-4

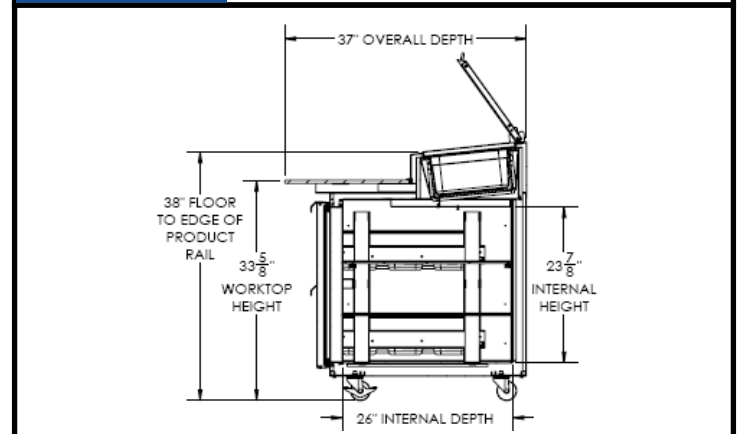
MODEL	DPD93HC-4
EXTERNAL DIMENSIONAL DATA	
Width Overall	93"
Depth Overall with Cutting Board	37"
Height Overall with 3" Casters	53 1/8"
Number of Door	1
Number of Drawers	4
Depth with Drawers Extended	55 3/8"
Drawers Opening (in)	(4) 21 5/8" x 10 3/4"
Depth, Cutting Board	19"
INTERNAL DIMENSIONAL DATA	
NET Capacity (cubic ft.)	31.5
Internal Width Useable (in)	74"
Internal Depth Overall (in)	26"
Internal Height Overall (in)	23 7/8"
Number of Shelves	2
ELECTRICAL DATA	
Full Load Amperes 115/60/1	7.8
REFRIGERATION DATA	
Horsepower	1/2
Capacity (BTU/Hr)*	4234
WEIGHT DATA	
Gross Weight (Crated lbs)	600 lbs
Height - Crated	47 1/2"
Width - Crated	96"
Depth - Crated	37"



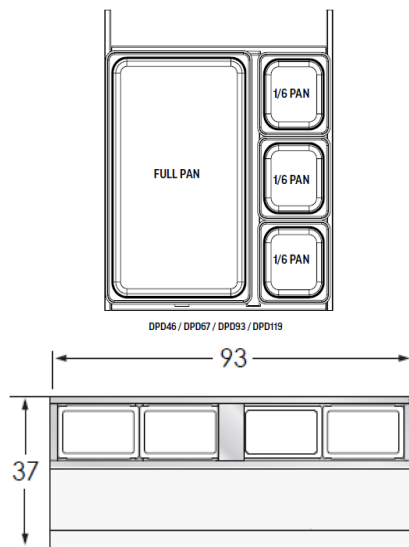
Plan View



Elevation View



Side View



ELECTRICAL CONNECTION



115/60/1
NEMA-5-15P

Units pre-wired at factory and include 8' long cord and plug set.



an Ali Group Company



The Spirit of Excellence

3779 Champion Blvd., Winston-Salem, NC 27105
1-888-845-9800 Fax: 1-336-245-6453
Beverage-Air.com sales@bevair.com