



BEVERAGE-AIR

Project: _____	AIA#
Item: _____	
Location: _____	SIS#
Approved: _____	

DPD FOOD PREPARATION SERIES

DPD119HC Deli/Pizza Prep Table with One Doors and Six Drawers
Hydrocarbon Series

MODELS:
DPD119HC-6

DPD119HC Food Preparation : Deli/Pizza Prep Series

3 Year Parts/Labor Warranty
Additional 2 Year Compressor Warranty

CABINET CONSTRUCTION

- Stainless steel front, sides, top, door, drawers and grille (*galvanized back & bottom*)
- Interior liner is made of corrosion resistant aluminum
- Aluminum top interior liner prevents spill from falling into cabinet
- Stainless steel top
- Removable hoods and insulated lid assemblies are made of matching stainless steel
- Door is self-closing on cam-lift hinges
- Magnetic gaskets provide positive seal on both door and drawers
- 120° Stay-open door feature
- Easy lift-off door removal for service and cleaning
- Field reversible door
- 3" Casters, 2 with brakes standard
- 19" Wide reversible cutting board is removable for easy cleaning
- Two epoxy-coated steel wire shelves
- Units will accept pans up to 6" deep (pans are not included)
- Drawer frames are heavy duty stainless steel
- Telescoping slides, with locking mechanism to prevent drawers from being pulled off of cabinet
- Heavy duty pan locking divider supports are standard in drawers
- Maintains product temperatures between 36° - 38°F

REFRIGERATION SYSTEM

- Refrigeration system uses R290 refrigerant to comply with all environmental concerns
- Automatic, electric defrost
- Epoxy coated evaporator coil



DPD119HC-6

OPTIONS & ACCESSORIES

- Stainless steel back and grille
- Stainless steel interior
- Clear lid models
- Door locks
- Bun tray rack
- Composite cutting board
- 6" Casters
- 6" Legs
- Remote option

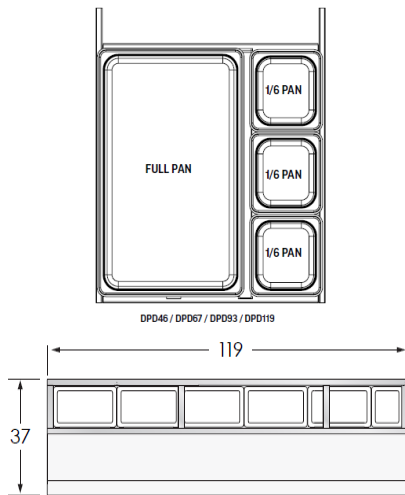


3779 Champion Blvd., Winston-Salem, NC 27105
1-888-845-9800 Fax: 1-336-245-6453
Beverage-Air.com sales@bevair.com



BEVERAGE-AIR

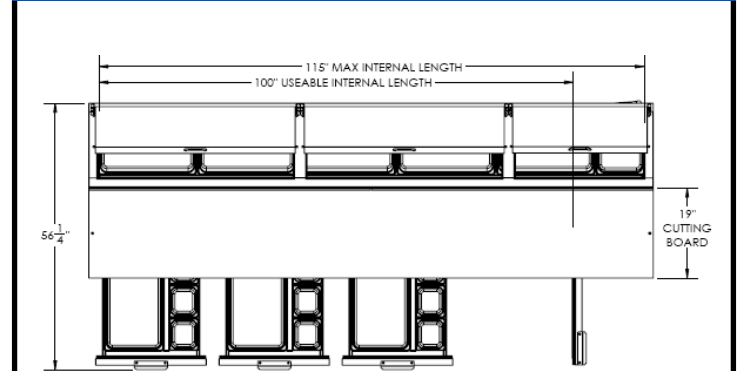
MODEL	DPD119HC-6
EXTERNAL DIMENSIONAL DATA	
Width Overall	119"
Depth Overall with Cutting Board	37"
Height Overall with 3" Casters	53 1/8"
Number of Doors	1
Door Opening (in)	21 5/8" x 23 1/2"
Number of Drawers	6
Depth with Drawers Extended	56 1/4"
Drawers Opening (in)	(6) 21 5/8" x 10 5/8"
Depth, Cutting Board	19"
INTERNAL DIMENSIONAL DATA	
NET Capacity (cubic ft.)	42.2
Internal Width Useable (in)	100"
Internal Depth Overall (in)	26"
Internal Height Overall (in)	23 3/4"
Number of Shelves	2
ELECTRICAL DATA	
Full Load Amperes 115/60/1	7.8
REFRIGERATION DATA	
Horsepower	1/2
Capacity (BTU/Hr)*	4234
WEIGHT DATA	
Gross Weight (Crated lbs)	703 lbs
Height - Crated	47 1/2"
Width - Crated	122"
Depth - Crated	37"



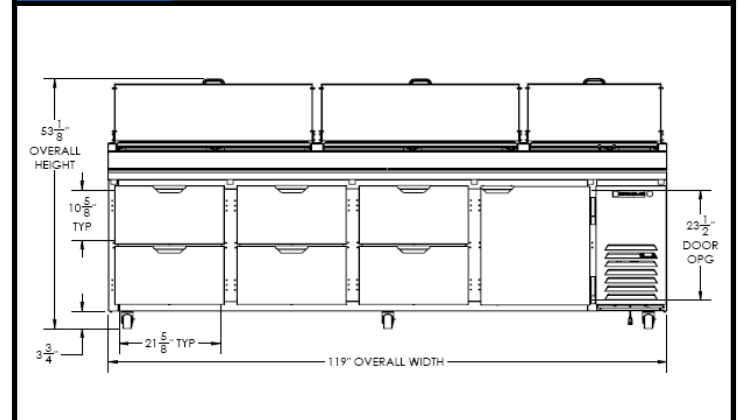
Deli/Pizza Preparation Table

Models: DPD119HC-6

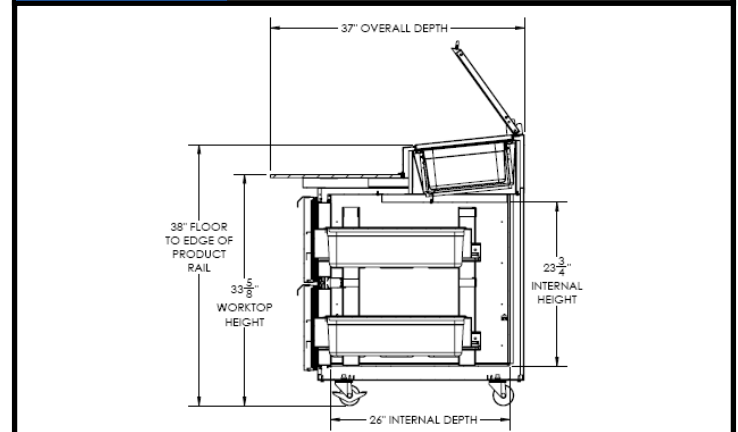
Model Views



Plan View



Elevation View



Side View

ELECTRICAL CONNECTION



115/60/1
NEMA-5-15P

Units pre-wired at factory and include 8' long cord and plug set.



an Ali Group Company



The Spirit of Excellence

3779 Champion Blvd., Winston-Salem, NC 27105
1-888-845-9800 Fax: 1-336-245-6453
Beverage-Air.com sales@bevair.com