



Alpine Industries  
 27 Selvage St.  
 Irvington, NJ 07111  
 Tel: 973 601 5105  
 Fax: 973 854 8650

## SPECIFICATIONS

### HEMLOCK HIGH SPEED 220/240V HAND DRYER BY ALPINE INDUSTRIES

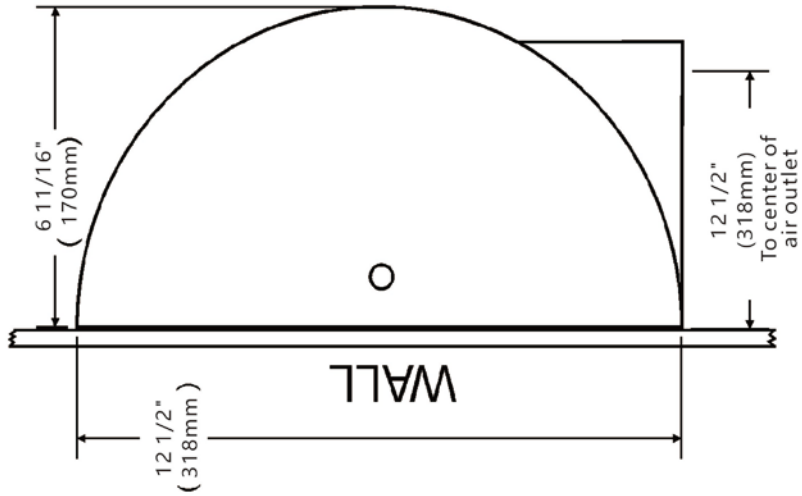
MODEL	TYPE	COLOR	VOLTZ-HERTZ	WATTS ×1000	AMPS	COVER MATERIAL	NOZZLE MATERIAL
400-20-SSB	Hand	STAINLESS STEEL BRUSHED	220/240V 50/60Hz	Heat ON: 1.8	Heat ON:7.5 Heat OFF:2.5	304 Stainless steel .05 (1.2) thick	Nylon
400-20-WHI		WHITE		Heat OFF: .55			

MOTOR	H/P	RPM	FAN TYPE	HEATING ELEMENT	AIR FLOW	AIR VELOCITY	AIR OUTPUT TEMPERATURE
550 Watts brush	11/15	25,000	Multi-inlet centrifugal aluminum	1250 Watt kanthal wire	82CFM	20,000 LFM	104° F (40° C) @ 77° F (25° C)

SOUND PRESSURE	IP RATING	HEATER THERMAL PROTECTION	HEATER THERMAL PROTECTION	SENSOR RANGE	DRYING TIME	TIMING	NOZZLE OPENING
80dB	X1	Shut-Off @ 221° F (105° C)	Reset-On @ 86° F (30° C)	5-15cm Factory set 8cm	10 Seconds	Automatic 3 second hold- on with auto 63 second shut-off	.9"

PRODUCT WEIGHT	SHIPPING WEIGHT	PRODUCT DIMENSIONS	SHIPPING DIMENSIONS	WARRANTY	FILTER
9.5lbs 4.3kg	10.8lbs 4.8kg	Width: 11 13/32" Height: 12 5/16" Deptd: 6 11/16"	14.5"H 13.25"W 8.5"D	5 Year limited	Regular

**SIDE VIEW**



**FRONT VIEW FACING WALL**

