

# FAUCET PARTS & ACCESSORIES

## Replacement Cartridges

For K-59, K-123, K-125, K-126, K-206 & K-316 Faucets



\*Can Only Be Used On Faucets Purchased After January 2016. For Older Faucets, Consult Customer Service.

**K-00HA (Sset of 2)**

## Service Faucet Vacuum Breaker Repair Kit

For K-240 Faucet

\*Can Only Be Used On Faucets Purchased After January 2016. For Older Faucets, Consult Customer Service.

**K-03**



## Replacement Cartridges

For K-1, K-11, K-50, K-51, K-52, K-53, K-56, K-124, K-101, K-160, K-208 & K-240 Faucets



\*Can Only Be Used On Faucets Purchased After January 2016. For Older Faucets, Consult Customer Service.

**K-00HB (Sset of 2)**

## Splash Mount Faucet Mounting Kit

K-1, K-11, K-101, K-105, K-112, K-119 & K-211



**K-06**



## Filler Faucet Repair Kit

For K-54 & K-54A Faucets

\*Can Only Be Used On Faucets Purchased After January 2016. For Older Faucets, Consult Customer Service.

**K-02**

## Pedal/Knee Valve Replacement Parts

### Replacement Bonnet for Pedal/Knee Valve

For K-103, K-104, 7-PS-32 & 7-PS-39



**K-01**

### Thermostatic Mixing Valve

For K-103, K-104, 7-PS-32 & 7-PS-39



**K-425**

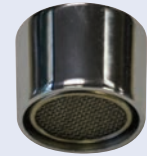
### Replacement Check Valves

For K-103, K-104, 7-PS-32 & 7-PS-39



**K-19**

## Low Flow Aerator



.5 GPM

**K-08**

## Faucet Options & Accessories

### Hands-Free Wand



**K-400**



### Faucet Wall Mounting Bracket



**K-30**

### Wrist Handles (Pair)



**K-316-LUHA**

\*Can Only Be Used On Faucets Purchased After January 2016. For Older Faucets, Consult Customer Service.

### Wrist Handles (Pair)

For Heavy Duty & standard 8" O.C. Faucets

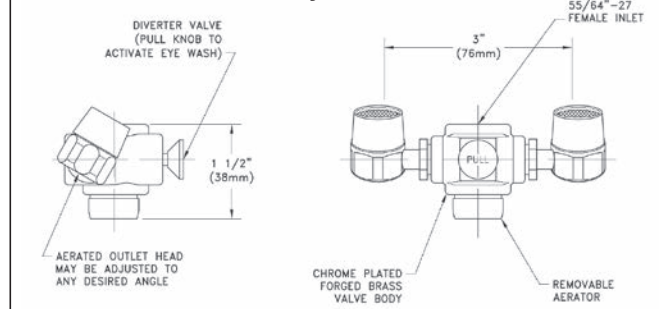


**K-416-LU**

## K-170 Eye Wash Attachment\*



## K-170 - Eye Wash Detail



**\*IMPORTANT:** Faucet-mounted eyewashes require two motions to operate (turn on water, pull knob to activate eyewash flow). Therefore, **Advance Tabco does not believe that these units meet the provisions of ANSI Z358.1-2004 as eyewash units.** These units are intended solely as supplemental units in addition to dedicated, plumbed eyewash equipment installed in the workplace. Faucet-mounted eyewashes should be used with cold or warm water only. Use of hot water might cause scalding. Eyewash Faucets not to be used with Electronic Faucets.



Customer Service Available To Assist You **1-800-645-3166** 8:30 am - 8:00 pm E.S.T.

For Orders & Customer Service:

Email: [customer@advancetabco.com](mailto:customer@advancetabco.com) or Fax: 631-242-6900

For Smart Fabrication™ Quotes:

Email: [smartfab@advancetabco.com](mailto:smartfab@advancetabco.com) or Fax: 631-586-2933