



**T&S BRASS AND BRONZE WORKS, INC.**  
 2 Saddleback Cove / P.O. Box 1088  
 Travelers Rest, SC 29690

Model No.  
**002712-40**

Item No.

Travelers Rest, SC: 800-476-4103 • Simi Valley, CA: 800-423-0150 • Fax: 864-834-3518 • www.tsbrass.com



**ADA Compliant**

This Space for Architect/Engineer Approval

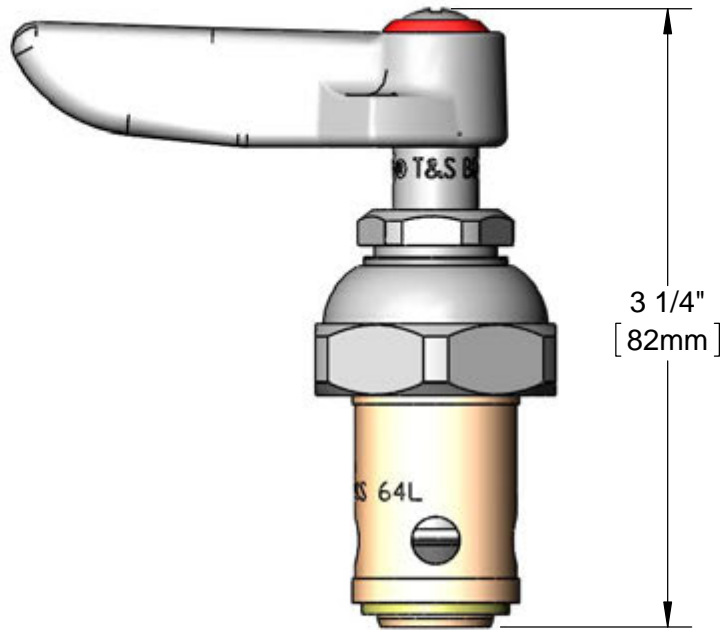
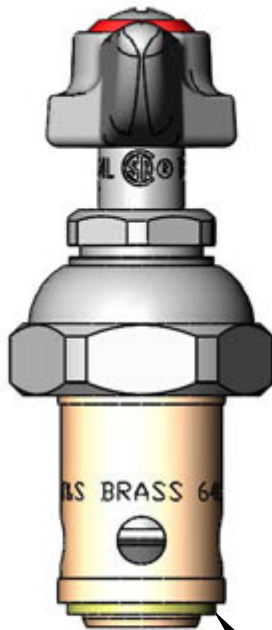
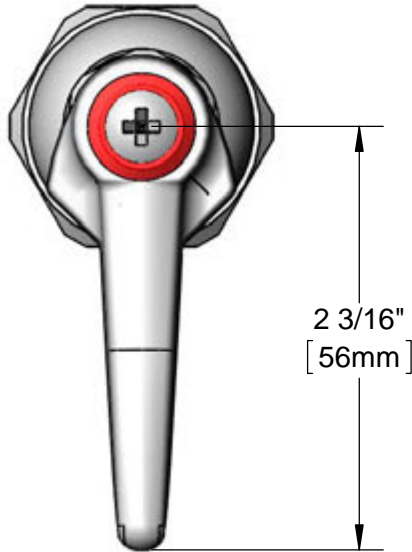
Job Name \_\_\_\_\_ Date \_\_\_\_\_

Model Specified \_\_\_\_\_ Quantity \_\_\_\_\_

Customer/Wholesaler \_\_\_\_\_

Contractor \_\_\_\_\_

Architect/Engineer \_\_\_\_\_



Bottom Gasket

Product Specifications:  
 Eterna Cartridge, RTC w/ Spring Check, Lever Handle,  
 Index (Red) & Screw

Drawn  
**DHL**

Checked  
**DMH**

Approved  
**JHB**

Scale:  
**1:1**

Date:  
**03/18/13**



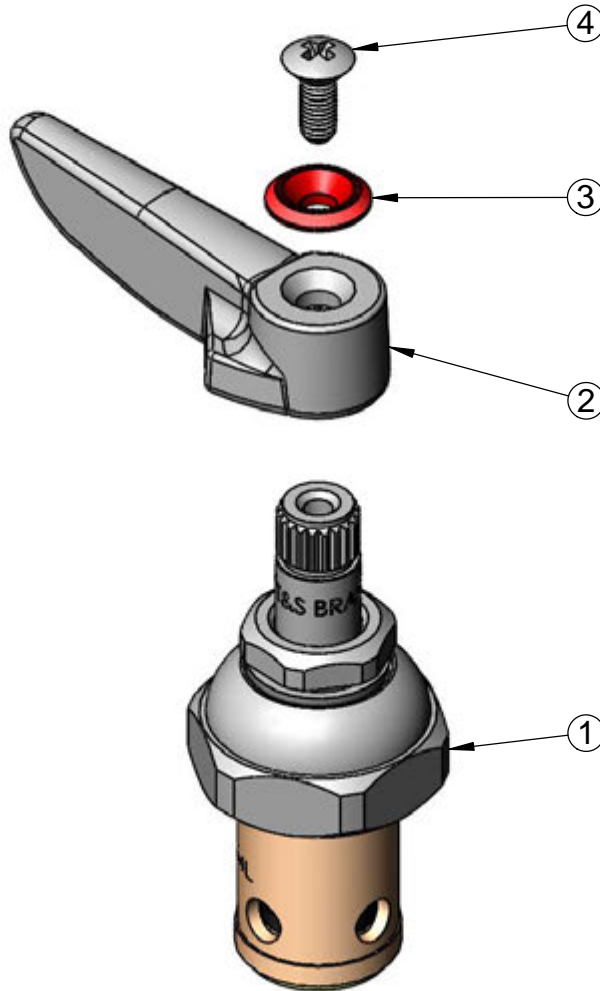
**T&S BRASS AND BRONZE WORKS, INC.**  
 2 Saddleback Cove / P.O. Box 1088  
 Travelers Rest, SC 29690

Model No.  
**002712-40**

Item No.

Travelers Rest, SC: 800-476-4103 • Simi Valley, CA: 800-423-0150 • Fax: 864-834-3518 • www.tsbrass.com

| ITEM NO. | SALES NO. | DESCRIPTION                           |
|----------|-----------|---------------------------------------|
| 1        | 012443-40 | Eterna Cartridge, RTC w/ Spring Check |
| 2        | 001638-45 | Lever Handle                          |
| 3        | 001661-45 | Red Index-HW                          |
| 4        | 000922-45 | Lever Handle Screw                    |



Product Specifications:  
 Eterna Cartridge, RTC w/ Spring Check, Lever Handle,  
 Index (Red) & Screw

|                      |                       |                          |
|----------------------|-----------------------|--------------------------|
| Drawn<br><b>DHL</b>  | Checked<br><b>DMH</b> | Approved<br><b>JHB</b>   |
| Scale:<br><b>NTS</b> |                       | Date:<br><b>03/18/13</b> |