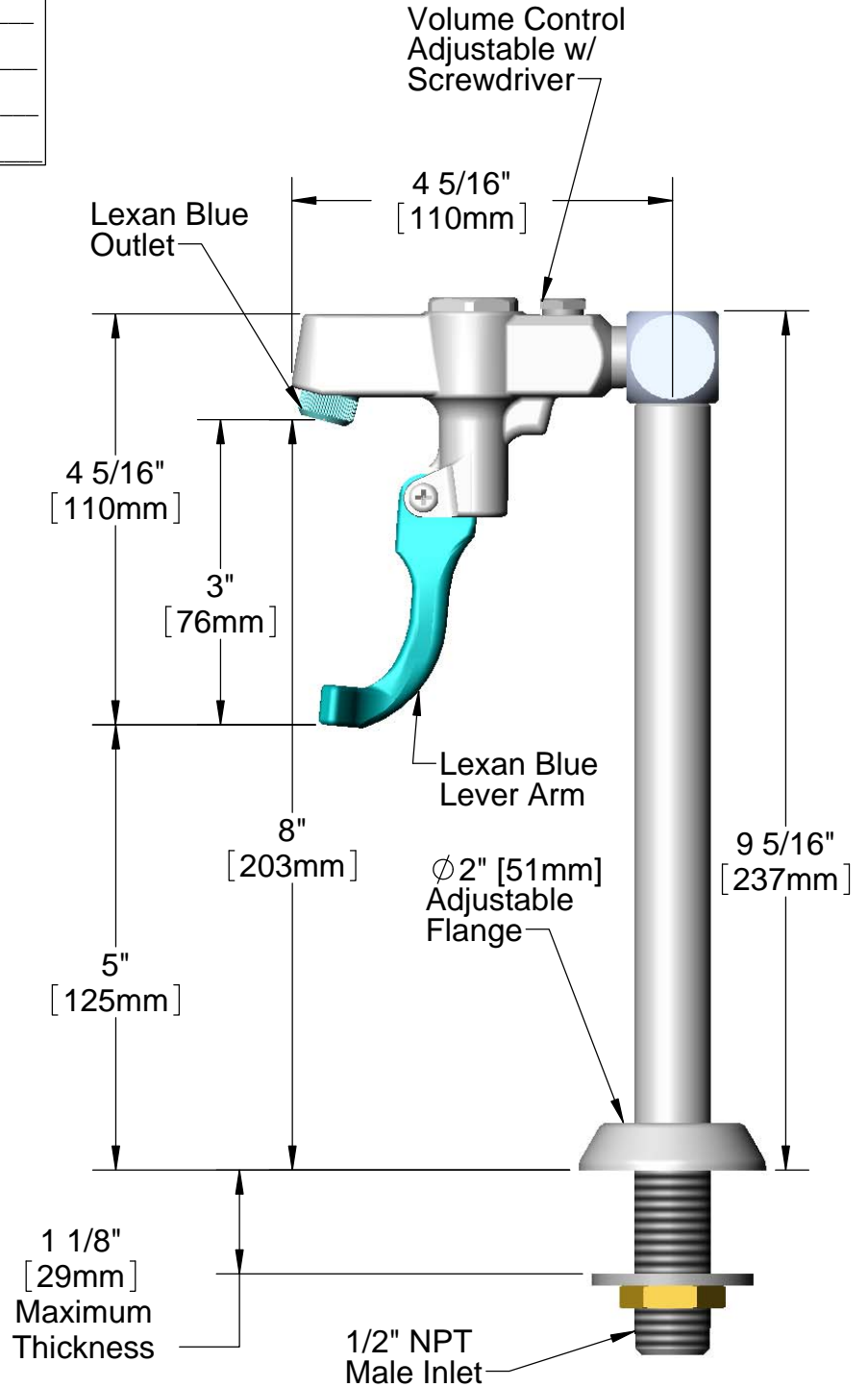


This Space for Architect/Engineer Approval

Job Name _____ Date _____
 Model Specified _____ Quantity _____
 Customer/Wholesaler _____
 Contractor _____
 Architect/Engineer _____



TOP VIEW



Model Number 5GF-8P	Date 06/11/12	Scale 1:2	Drawn JRM	Checked KJG	Approved JHB
-------------------------------	-------------------------	---------------------	---------------------	-----------------------	------------------------



Product Specifications:
 Pedestal Type Glass Filler, Push Back Design, 1/2" NPT Male Shank, Adjustable Flange, Blue Self-Closing Lexan Arm

equip Foodservice Accessories
 2 Saddleback Cove, P.O. Box 1088
 Travelers Rest, South Carolina 29690
 Phone: 800.891.4808 Fax: 800.868.0084