



# T&S BRASS AND BRONZE WORKS, INC.

2 Saddleback Cove / P.O. Box 1088  
Travelers Rest, SC 29690



REG. #A2601  
ISO #9001

Model No.

EC-3103

Item No.

Travelers Rest, SC: 800-476-4103 Simi Valley, CA: 800-423-0150 Fax: 864-834-3518 www.tsbrass.com

This Space for Architect/Engineer Approval

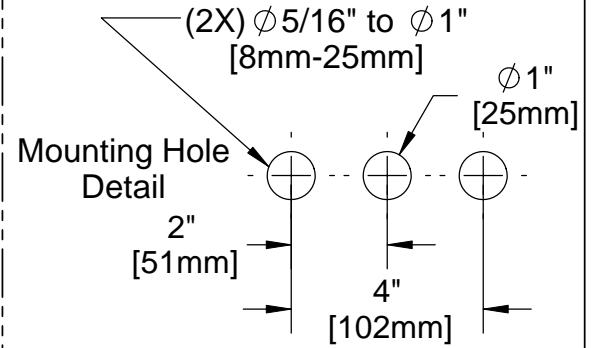
Job Name \_\_\_\_\_ Date \_\_\_\_\_

Model Specified \_\_\_\_\_ Quantity \_\_\_\_\_

Customer/Wholesaler \_\_\_\_\_

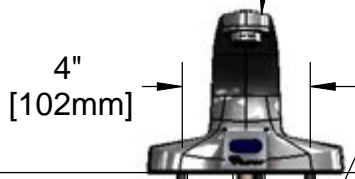
Contractor \_\_\_\_\_

Architect/Engineer \_\_\_\_\_



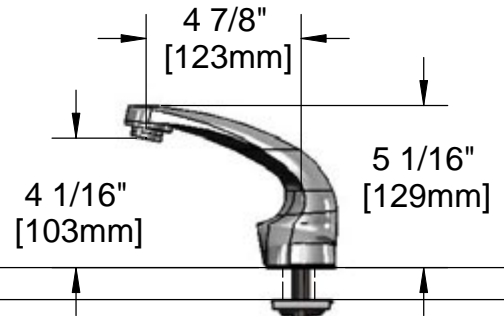
Solid Cast Brass Spout  
w/ Polish Chrome Plated Finish  
and 2.2 GPM [8.3L/min]  
Vandal Resistant Aerator

3 5/8" x 4 3/16" x 2" Deep  
[92mm x 106mm x 51mm]  
Water Resistant Control Module Box (Blue)  
w/ Internal Flow Control Setting Switches,  
AC or DC operated  
w/ (4) AA Batteries



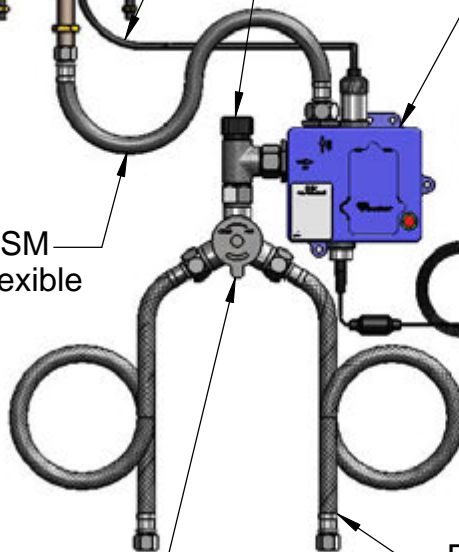
24" [610mm]  
Sensor Cable

Removable  
Strainer



DECK

1/2" NPSM x 1/4" NPSM  
18" [457mm] Long Flexible  
St. Steel Hose (1)



100-135 VAC Adapter  
w/ 144" [3658mm] Long  
Power Cord.  
(Remove Rubber Plugs  
on Module and Cable  
to Connect)

Temperature Mixing Valve  
w/ Integral Check Valves

Furnished w/ (2)  
3/8" Compression x 1/2" NPSM  
18" [457mm] Flex. St. Steel Supply Hose

**NOTE:** Supply Stops by Others

Product Specifications: Chrome Plated Brass Electronic Faucet: 4" c/c Deck Mount Spout w/ VR Aerator, AC/DC Control Module w/ Internal Flow Control Setting Switches, Temperature Control Mixing Valve w/ Integral Check Valves, 18" Long Hot & Cold Supply Stop Flexible Connector Hoses

Drawn GEF	Checked DMH	Approved JHB
Scale: NTS		Date: 08/23/10



**T&S BRASS AND BRONZE WORKS, INC.**

2 Saddleback Cove / P.O. Box 1088  
Travelers Rest, SC 29690



REG. #A2601  
ISO #9001

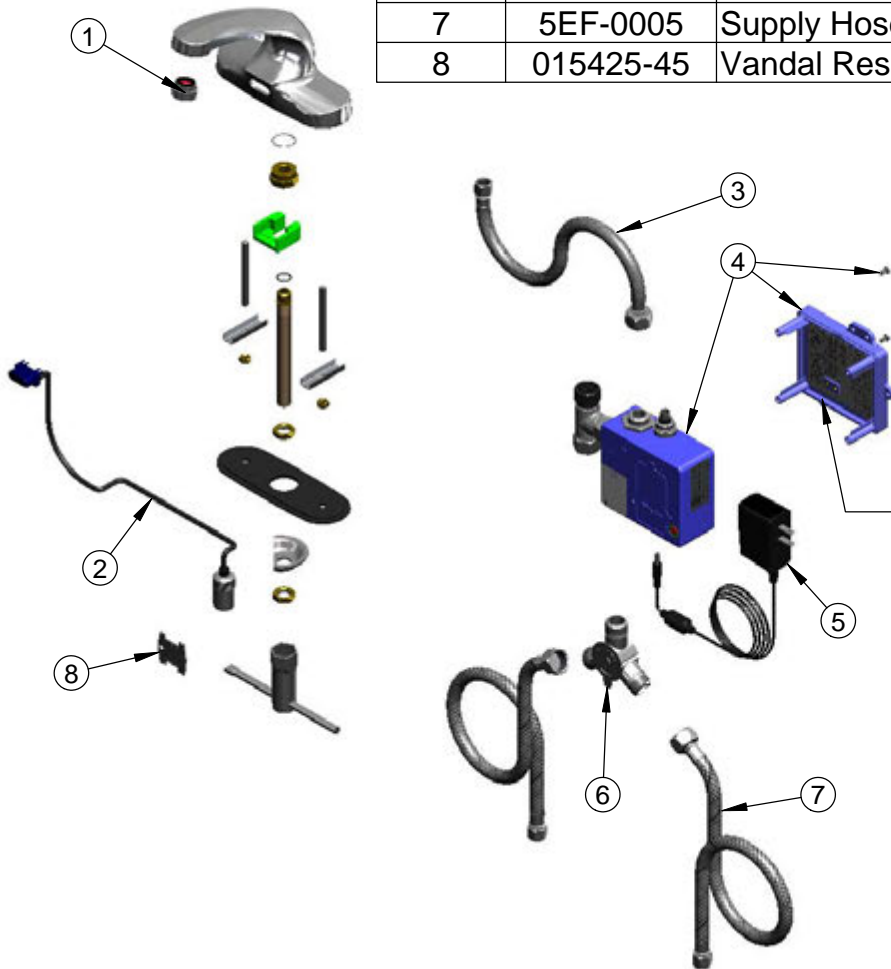
Model No.

EC-3103

Item No.

Travelers Rest, SC: 800-476-4103 Simi Valley, CA: 800-423-0150 Fax: 864-834-3518 www.tsbrass.com

ITEM NO.	SALES NO.	DESCRIPTION
1	016355-45	Aerator w/ Key, Vandal Resistant, 2.2 GPM, 13/16-27 Male
2	017195-45	Angled Sensor w/ Cable
3	016297-45	Inlet Hose, Faucet, 1/2" NPSM-F x 1/4" NPSM-F
4	016647-45	ChekPoint Module (Blue)
5	5EF-0002	A/C Transformer
6	5EF-0006	Mechanical Mixing Valve
7	5EF-0005	Supply Hose, 9/16-24 Female x 1/2" NPSM
8	015425-45	Vandal Resistant Key



Label for Flow Control Switch Settings is located on Inside of Back Cover.

Flow Control Switches are located inside Module Housing in Black Box next to Battery Compartment.  
\*Switches are set to DEFAULT position:  
Auto Time Out = 10 seconds  
Shut Off Delay = 1 second  
Auto Flush = OFF

Remove (4) screws and back cover to access switches.

**\*Available Water Flow Control Selections:**

(6) Auto Time Out Selections - 10 sec, 25 sec, 45 sec, 60 sec, 3 min, 20 min

(4) Shut Off Delay Selections - 1 sec, 2 sec, 4 sec, 10 sec

Auto Flush for 30 Seconds After Every 12 Inactive Hours - ON or OFF

Product Specifications: Chrome Plated Brass Electronic Faucet: 4" c/c Deck Mount Spout w/ VR Aerator, AC/DC Control Module w/ Internal Flow Control Setting Switches, Temperature Control Mixing Valve w/ Integral Check Valves, 18" Long Hot & Cold Supply Stop Flexible Connector Hoses

Drawn GEF	Checked DMH	Approved JHB
Scale: NTS		Date: 08/23/10