



TBB145

Torq 2.0 Toggle Switch with 48 oz. Copolyester Container



Torq 2.0 Toggle Switch with 48 oz. Copolyester Container



*Made in USA with US and foreign parts.

MAIN FEATURES

- High performance, 2HP, 1500-watt, 2-speed motor with 24,000 max RPM
- Classic toggle switch control with HI, LO, OFF and PULSE
- 48 oz. stackable, BPA-free copolyester container with removable cap to feed ingredients while blending
- Heavy-duty stainless steel blade with solid steel, user-replaceable blade assembly with drive coupling
- Blend three, 16 oz. margaritas in 8 seconds or less
- Recommended for 50–74 drinks per day
- Limited Two-Year Warranty

ELECTRICAL

Voltage: 120

Frequency: 60Hz

Watts: 1492

Plug Type: NEMA 5-15P 

Cord Length: 5 feet



SALES FEATURES

Quickly prepare margaritas, daiquiris, sauces, soups and more with the Waring Torq 2.0 Series TBB145. This heavy-duty, 2-speed blender works great for medium or heavy food and beverage preparation. It easily churns out three, 16 oz. margaritas in 8 seconds or less. A classic toggle switch design makes it perfect for any bar, restaurant, or smoothie shop.



@waringcommercial

©2020 Waring Commercial
314 Ella T. Grasso Avenue, Torrington, CT 06790
Tel. 800-492-7464 • Fax 860-496-9008

waringcommercialproducts.com

TBB145



Torq 2.0 Toggle Switch with 48 oz. Copolyester Container TBB145

PARTS & ACCESSORIES



CAC139 48 oz. Copolyester Container



CAC89 64 oz. Copolyester Container and Jar Pad



CAC152 48 oz. Stainless Steel Container and Jar Pad



CAC167 64 oz. Stainless Steel Container and Jar Pad



CAC145 Lid with Measuring Cap for CAC139



CAC150 Jar Pad

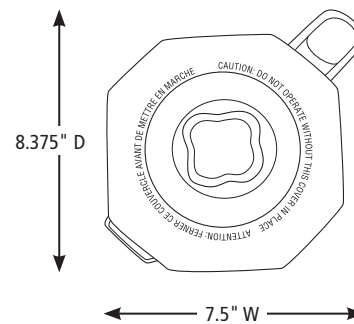
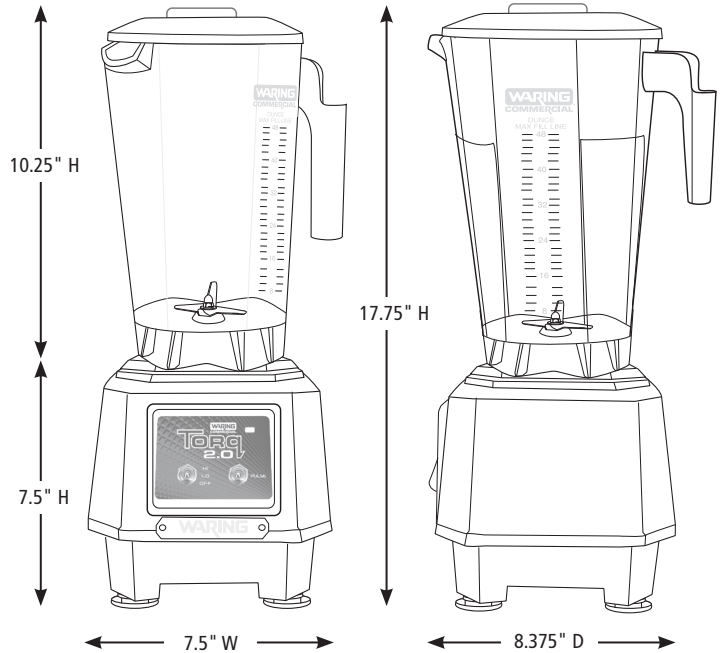


CAC140 Blending Assembly



CAC147 Clutch Repair Kit (12 pack)

DIMENSIONS



Out of Box Weight: 11.4 lb.

| ORDERING INFORMATION | #STD. PKG. | GIFTBOX WEIGHT | CUBIC FEET | BOX DIMENSIONS D x W x H | UPC | CASE PKG. | MC WEIGHT | MC DIMENSIONS D x W x H | MBC |
|--|------------|----------------|------------|---------------------------|--------------|-----------|-----------|-------------------------|----------------|
| TBB145 – Toggle Switch with 48 oz. Copolyester Container | 1 | 13 | .94 | 8.875" x 11.375" x 15.75" | 040072053627 | 2 | 27.24 | 12" x 18.5" x 16.5" | 10040072053624 |



@waringcommercial

©2020 Waring Commercial
314 Ella T. Grasso Avenue, Torrington, CT 06790
Tel. 800-492-7464 • Fax 860-496-9008

waringcommercialproducts.com

20WC073163 / REV 03/20