

CRATHCO® CLASSIC BUBBLERS®

STANDARD DOUBLE

Project

Date

Models

D25-3

D25-4

D255-3

D255-4

D256-3

D256-4

Item #

Quantity



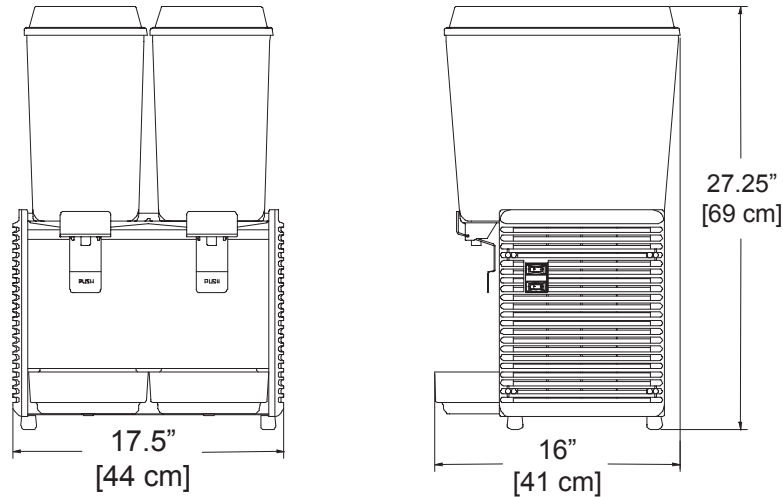
Model D25-4

Features

- Pre-mix dispenser with two-piece, stainless steel, dripless pouring valves are sanitary and easy to use and maintain.
- Better design and more stainless steel allow easier cleaning and less maintenance.
- Two large, 5 gallon (18.9 L) bowls with easy-to-read measuring marks are separate to allow bowl cleaning and flavor changes without total system shut-down.
- Super-strong, virtually unbreakable polycarbonate bowls and covers for lasting durability.
- Unique evaporator and high efficiency pump cools faster and more efficiently for quick start-up.
- Along with spray circulation, agitators are included with each unit for fresh juices, coffees, or tea.
- Superior engineering allows full beverage cooling to the dispense point, and right down to the last drink.
- Cup height 8.25" (20.5 cm).
- Temperature range from 35 - 41°F (1.1 - 5° C).
- 1/5 hp refrigeration.

CRATHCO® CLASSIC BUBBLERS®

STANDARD DOUBLE



Model D25 represented

MODEL	DESCRIPTION	ELECTRICAL	PRODUCT DIMENSIONS (H X W X D)	SHIPPING DIMENSIONS (H X W X D)
D25-3* Base: (5507) Bowl: (5112)	2 Bowls: Stainless steel side panels and drip tray	115V / 0.66 kW 5.5A / 1 Ph	27.25" x 17.5" x 16" (69 cm x 44 cm x 41 cm)	Base: 16.25" x 20.75" x 13.5" (41 cm x 53 cm x 34 cm) Bowl: 22.5" x 15.5" x 8.5" (57 cm x 39 cm x 22 cm)
D25-4* Base: (5508) Bowl: (5122)	2 Bowls: Plastic side panels and drip tray	115V / 0.66 kW 5.5A / 1 Ph	27.25" x 17.5" x 16" (69 cm x 44 cm x 41 cm)	Base: 16.25" x 20.75" x 13.5" (41 cm x 53 cm x 34 cm) Bowl: 22.5" x 15.5" x 8.5" (57 cm x 39 cm x 22 cm)
D255-3 Base: (5813) Bowl: (5112)	2 Bowls: Stainless steel side panels and drip tray	115V / 0.66 kW 5.5A / 1 Ph	27.25" x 17.5" x 16" (69 cm x 44 cm x 41 cm)	Base: 16.25" x 20.75" x 13.5" (41 cm x 53 cm x 34 cm) Bowl: 22.5" x 15.5" x 8.5" (57 cm x 39 cm x 22 cm)
D255-4 Base: (5814) Bowl: (5122)	2 Bowls: Stainless steel side panels and drip tray	220-240V 50 Hz / 2.7A	27.25" x 17.5" x 16" (69 cm x 44 cm x 41 cm)	Base: 16.25" x 20.75" x 13.5" (41 cm x 53 cm x 34 cm) Bowl: 22.5" x 15.5" x 8.5" (57 cm x 39 cm x 22 cm)
D256-3 Base: (5562) Bowl: (5112)	2 Bowls: Stainless steel side panels and drip tray	220-240V 50 Hz / 2.7A	27.25" x 17.5" x 16" (69 cm x 44 cm x 41 cm)	Base: 16.25" x 20.75" x 13.5" (41 cm x 53 cm x 34 cm) Bowl: 22.5" x 15.5" x 8.5" (57 cm x 39 cm x 22 cm)
D256-4 Base: (5563) Bowl: (5122)	2 Bowls: Stainless steel side panels and drip tray	220-240V 60 Hz / 2.7A	27.25" x 17.5" x 16" (69 cm x 44 cm x 41 cm)	Base: 16.25" x 20.75" x 13.5" (41 cm x 53 cm x 34 cm) Bowl: 22.5" x 15.5" x 8.5" (57 cm x 39 cm x 22 cm)

Ship Weight (in two boxes): Total: 73 lbs. (33.1 kg)
Base: 56 lbs. (25.4 kg) **Bowl:** 17 lbs. (7.7 kg)
***Electrical:** NEMA 5-15P line cord included.
Refrigeration: 134A

OPTIONS

Valve Cap (2039) - Improves sealing of valve when using pulpy product.
Valve Locking Box (2502) - Secures the valve from dispensing during off-hours - not to be used with non-contact handle.
Shipboard Kit (5925) - Makes unit safer for installation aboard marine vessel; only available for use with agitator
Large Milk Fat Impeller (1161M) - (blue) Use with dairy products, and/or products with heavy pulp.
Standard MCX Mag Drive Impellers (3587) - (black) Use with juices and water.
MCX Mag Drive Low Foam Impellers (3709) - (black with blue center) Use with products that create foam, such as teas and lemonades.
Condensation Cover (3657) - Direct and conceal condensation in high humidity or outdoor locations.
Security Kit (2510) - Use with D25 models.