

MDH-302 • MDH-402 Beverage Dispensers with icepic[®] Integrated Ice Crusher



Servend.



MDH-302



Servend's
Flexible
Beverage
Manifold



MDH-402

Industry's first built-in ice crusher provides two types of ice from a single ice maker/ice dispenser combination.

Increased beverage cooling efficiency vs. nugget-style ice.

Saves:

25% on equipment acquisitions,
30% on equipment installation, and
45% on maintenance.

Find this product at:

Central[®]
RESTAURANT PRODUCTS

1-866-285-1252

Leader in Ice & Beverage Dispensers

Countertop Ice/Bev • Drop-in • Countertop Electric • Undercounter

- MDH-302 or 402 provides two ice dispense points with maximum flavor selection in one ice and beverage dispenser.
- Servend's patented Flex manifold makes carbonated or non-carbonated flavor changes possible in minutes. Great for seasonal promotions!
- 300 or 400 lbs. (136.08 or 181.44 kgs.) of ice storage.
- Three merchandisers available - 12" (30.48 cm), 24" (60.96 cm) and 34" (86.36 cm) tall - to create a beverage focal point.
- Patented rocking chute ice dispense technology reduces ice spillage.



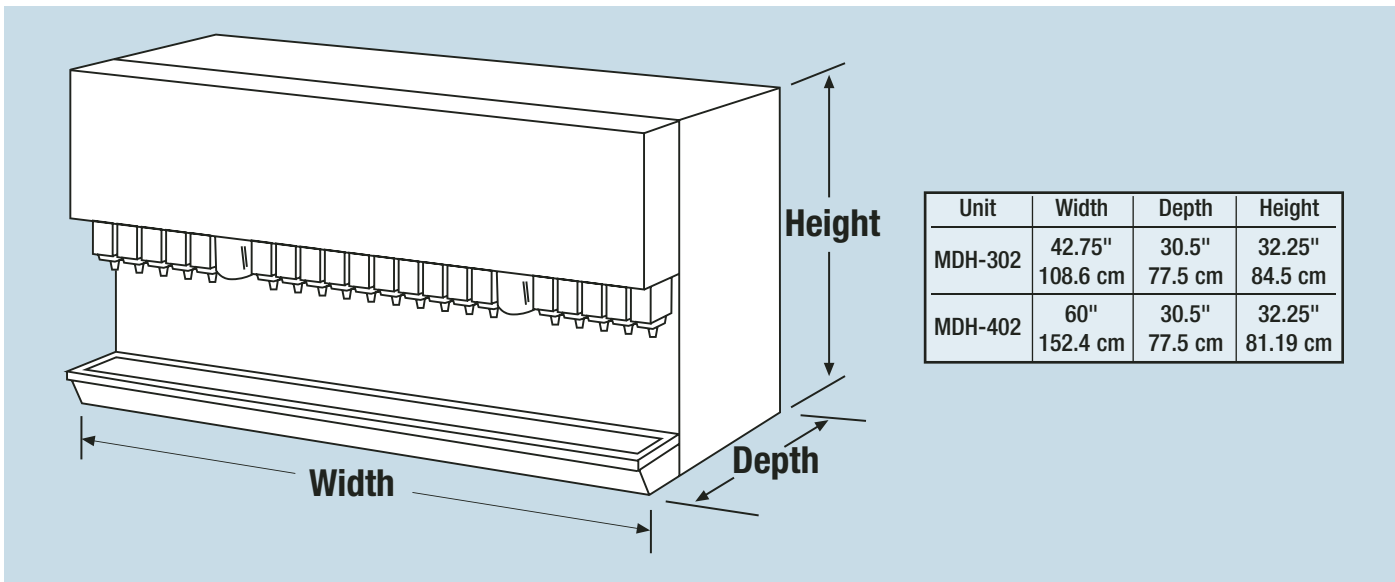
ISO 9001:2000
Quality System Certified

Manitowoc
Foodservice Group

MDH-302/402 Beverage Dispensers with Integrated Ice Crusher

Specifications

	MDH-302	MDH-402
Standard Features	Left side ice crusher, key switch, drain kits, 12" tall lighted merchandiser, timed agitation, Flomatic 424 beverage valves	
Shipping Weights	485 lbs. / 220 kgs.	615 lbs. / 279 kgs.
Countertop Weight (w/o ice)	417 lbs. / 189 kgs.	515 lbs. / 234 kgs.
Ice Storage Capacity	Up to 300 lbs. / 136 kgs.	Up to 400 lbs. / 181.82 kgs.
Electrical Requirements	Dispenser: 120V/60Hz/5.4FLA	
Drain	Two 3/4" (1.91 cm) PVC (N.P.T.) drain fittings extend from drain pan. Ice bin drains directly into drain pan for front clean out, no hook up necessary.	
Ice Machine Compatibility	Performance optimized with Manitowoc half-dice cube size. Top-mount with Manitowoc half-dice size ice cube machine or manual fill with hard cubed ice 3/8" x 1-1/8" x 7/8" or smaller. Hoshizaki America, Inc., ice machines with crescent-style shape ice cubes are not compatible with MDH-302 or MDH-402 dispensers with integrated Ice Crusher.	
Graphic Area Dimensions	<p>Physical trim 12T: 42.625" W x 11" H / 108.3 W x 27.94 H (cm) 24T: 42.5" W x 23.813" H / 108.3 W x 60.49 H (cm) 34T: 42.5" W x 33.813" H / 108 W x 85.89 H (cm)</p> <p>Visual area 12T: 41.745" W x 10" H / 106 W x 25.4 H (cm) 24T: 41.624" W x 22.875" H / 105.7 W x 58.1 H (cm) 34T: 41.875" W x 33.188" H / 106.4 W x 84.3 H (cm)</p>	<p>Physical trim 12T: 59.75" W x 11" H / 151.8 W x 108.3 H (cm) 24T: 59.75" W x 23.813" H / 151.8 W x 60.49 H (cm) 34T: 59.75" W x 33.813" H / 151.8 W x 85.89 H (cm)</p> <p>Visual area 12T: 59.125" W x 10.375" H / 150.2 W x 26.35 H (cm) 24T: 59.125" W x 23.188" H / 150.2 W x 23.188 H (cm) 34T: 59.125" W x 32.813" H / 150.2 W x 83.35 H (cm)</p>
Manifold	2-1-1-2 Flexible left to right	16 Valve 2-1-1-1-3 Flexible left to right 20 Valve 3-1-2-1-3 Flexible left to right
Options	Other options include; water lever, carbonator, regulator and installation kits. Ice machine adaptor kits, 24" (60.96 cm) and 34" (86.36 cm) extended merchandiser, black merchandiser and splash panel.	



Unit	Width	Depth	Height
MDH-302	42.75"	30.5"	32.25"
	108.6 cm	77.5 cm	84.5 cm
MDH-402	60"	30.5"	32.25"
	152.4 cm	77.5 cm	81.19 cm

3492 ©2006 Servend / 06 Continuing product improvement may necessitate change of specifications without notice.



MANITOWOC BEVERAGE
EQUIPMENT, INC.
2100 Future Drive
Sellersburg, IN 47172, USA
Ph: 812-246-7000 • Fax: 812-246-7024
Visit us online at www.manitowocbeverage.com

