



# Specifications

F.O.B Sedalia, Missouri 65301



DPAH-3-HF

### OPTIONS:

- 1000 watt elements - per section
- 3 phase wiring
- Tray shelves
- Fluorescent lights
- Infrared bullet lamps
- Incandescent bullet lights
- Adapter bars
- Spillage pans
- Adapter plates
- Legs in lieu of casters
- Body latches
- Tray shelf on end

### AGENCY LISTINGS:



**DUKE MANUFACTURING CO.**  
 2305 N. Broadway  
 St. Louis, MO 63102

**800.735.3853 Toll Free**  
**314.231.5074 Fax**  
**www.dukemfg.com**

SS-DM-00041-EMB-03

### Approval Stamp(s):

### PRODUCT INFORMATION:

PROJECT: \_\_\_\_\_

ITEM: \_\_\_\_\_

QUANTITY: \_\_\_\_\_

MODEL:

### Econo Mate™ Buffet Units - Hot Food

- DPAH-2-HF/OPAH-2-HF** Portable (floor models) 2 hot food wells
- DPAH-3-HF/OPAH-3-HF** Portable (floor models) 3 hot food wells
- DPAH-4-HF/OPAH-4-HF** Portable (floor models) 4 hot food wells
- TAH-2-HF** Table Top 2 hot food wells
- TAH-3-HF** Table Top 3 hot food wells
- TAH-4-HF** Table Top 4 hot food wells

### BODY:

- Heavy gauge paint grip steel
- Choice of (12) powder coat paint colors (must choose one)
 

|   |  |
|---|--|
| <input type="checkbox"/> #217105 - Bright White     | <input type="checkbox"/> #217103 - Natural Almond  |
| <input type="checkbox"/> #217150 - Orange Red       | <input type="checkbox"/> #217154 - Racing Red      |
| <input type="checkbox"/> #217107 - Hollyberry Red   | <input type="checkbox"/> #217120 - Sky Blue        |
| <input type="checkbox"/> #217127 - Fence Green      | <input type="checkbox"/> #217152 - Stone Gray      |
| <input type="checkbox"/> #217102 - Duke Silver      | <input type="checkbox"/> #217113 - Brown Kickplate |
| <input type="checkbox"/> #217101 - Semi Gloss Black | <input type="checkbox"/> #217125 - Textured Black  |
- Heavy gauge; 300 Series stainless steel top
- Clear plexiglass canopy, with black powder coat steel brackets with end enclosures

### BASES:

- Choice of
  - Open base - **O**
  - Closed base - **D**
  - Table Top - **T**
- 5" NSF listed black swivel casters, 2 with locks

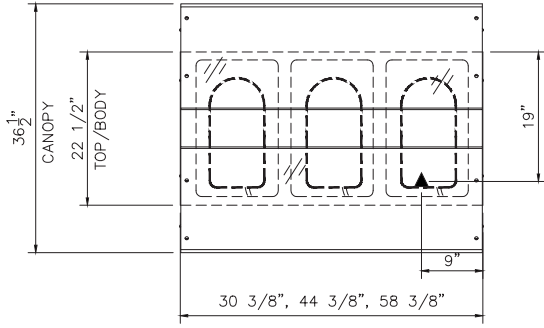
### HEAT COMPARTMENTS:

- 12" x 20" top opening
- Insulation on sides, ends and bottom of 8" compartment
- Infinite switch controls exposed electric element
- 6' cord and plug

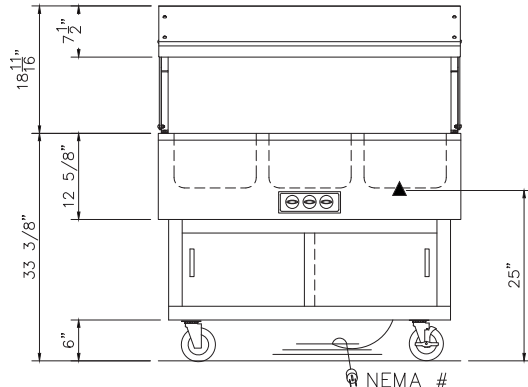
### SHORT FORM SPECIFICATIONS:

**Duke Econo Mate Buffet Units - Hot Food.** Portable Buffet with heavy gauge painted steel bodies, open or closed style, with 300 series stainless steel heavy gauge tops, hot wells w/infinite switches, enclosed steel base w/powder coat finish & sliding doors, clear acrylic canopy, 5" NSF approved black casters, 2 w/ locks, 6' cord & plug. Table top models available.

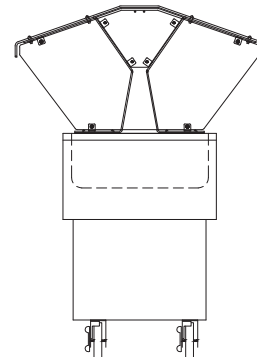
# Econo Mate®



**TOP VIEW**



**FRONT VIEW**



**SIDE VIEW**

## Econo Mate Buffet Units - Hot Food

- ☐ **DPAH-2-HF/OPAH-2-HF** Portable (floor models) 2 hot food wells
- ☐ **DPAH-3-HF/OPAH-3-HF** Portable (floor models) 3 hot food wells
- ☐ **DPAH-4-HF/OPAH-4-HF** Portable (floor models) 4 hot food well
- ☐ **TAH-2-HF** Table Top - 2 hot food wells
- ☐ **TAH-3-HF** Table Top - 3 hot food wells
- ☐ **TAH-4-HF** Table Top - 4 hot food wells

### LEGEND

▲ - ELECTRICAL CONNECTION

When ordering storage bases, precede model number with "O" for Open Base or "D" for closed base with doors. Example: **OPAH-2-BC** for open base unit.

### DIMENSIONS:

Portable Hot Food Units - All units 33-3/8" (84.8 cm) high

FREIGHT CLASS: 100

| Model                      | Length |       | Width  |      | Depth |      | Top Openings | Cube ft. Crated | Weight  |             |
|----------------------------|--------|-------|--------|------|-------|------|--------------|-----------------|---------|-------------|
|                            | in.    | cm    | in.    | cm   | in.   | cm   |              |                 | lbs.    | kg          |
| <b>DPAH-2-HF/OPAH-2-HF</b> | 30-3/8 | 77.2  | 22-1/2 | 57.2 | 8     | 20.3 | 2            | 23.0            | 225/221 | 102.3/100.5 |
| <b>DPAH-3-HF/OPAH-3-HF</b> | 44-3/8 | 112.8 | 22-1/2 | 57.2 | 8     | 20.3 | 3            | 32.0            | 261/257 | 118.6/116.8 |
| <b>DPAH-4-HF/OPAH-4-HF</b> | 58-3/8 | 148.3 | 22-1/2 | 57.2 | 8     | 20.3 | 4            | 40.9            | 297/293 | 135.0/133.2 |

Table Top Hot Food Units - All units 13-5/8" (34.7 cm) high

FREIGHT CLASS: 100

|                 | Length |       | Width  |      | Depth |      | Top Openings | Cube ft. Crated | Weight |       |
|-----------------|--------|-------|--------|------|-------|------|--------------|-----------------|--------|-------|
|                 | in.    | cm    | in.    | cm.  | in.   | cm   |              |                 | lbs.   | kg    |
| <b>TAH-2-HF</b> | 30-3/8 | 77.2  | 22-1/2 | 57.2 | 8     | 12.7 | 2            | 12.1            | 144    | 65.5  |
| <b>TAH-3-HF</b> | 44-3/8 | 112.8 | 22-1/2 | 57.2 | 8     | 12.7 | 3            | 61.7            | 197    | 89.6  |
| <b>TAH-4-HF</b> | 58-3/8 | 148.3 | 22-1/2 | 57.2 | 8     | 12.7 | 4            | 21.4            | 275    | 125.0 |

### ELECTRICAL SPECIFICATIONS:

| Model                    | 120 Volt |      |       | 208 Volt |      |      | 240 Volt |      |      |
|--------------------------|----------|------|-------|----------|------|------|----------|------|------|
|                          | Watts    | Amps | NEMA  | Watts    | Amps | NEMA | Watts    | Amps | NEMA |
| <b>PAH-2-HF/TAH-2-HF</b> | 1000     | 8.3  | 5-15  | 1500     | 7.2  | 6-20 | 1500     | 6.2  | 6-20 |
| <b>PAH-3-HF/TAH-3-HF</b> | 1500     | 12.5 | 5-15  | 2250     | 10.8 | 6-20 | 2250     | 9.4  | 6-20 |
| <b>PAH-4-HF/TAH-4-HF</b> | 2000     | 16.6 | L5-30 | 3000     | 14.4 | 6-20 | 3000     | 12.5 | 6-20 |

### DUKE MANUFACTURING CO.

2305 N. Broadway  
St. Louis, MO 63102

800.735.3853 Toll Free  
800.231.1130 In Missouri  
314.231.5074 Fax  
www.dukemfg.com

