



Your Solutions Partner

Specifications

F.O.B. Sedalia, Missouri 65301



303

OPTIONS:

- Safety pilots
- Stainless steel liner
- Stainless steel feet
- Adapter plates
- Spillage pans
- Drop type brackets for cutting board
- Stainless steel dish shelf under cutting board
- Trayslides and workshelves
- Foodshields

AGENCY LISTINGS:



DUKE MANUFACTURING CO.

2305 N. Broadway

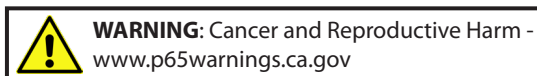
St. Louis, MO 63102

800.735.3853 Toll Free

314.231.5074 Fax

www.dukemfg.com

Specification subject to change



Approval Stamp(s):

PRODUCT INFORMATION:

PROJECT: _____

ITEM: _____

QUANTITY: _____

MODEL:

Aerohot™ Foodservice

Hot Food Units - Gas

- 302 2 top openings
- 303 3 top openings
- 304 4 top openings
- 305 5 top openings

TOP:

- 20 gauge, stainless steel
- Die-stamped openings - 12" x 20"
- Poly carving board - 7"W x 1/2" thick with 18 gauge stainless steel support shelf and die-stamped brackets

HEAT COMPARTMENTS:

- Die-formed galvanized steel - 8" deep
- Insulated on all four sides and bottom with fiberglass

BODY AND INTERIOR SHELF:

- 20 gauge, 430 Series stainless steel body
- 20 gauge, 430 Series stainless steel undershelf
- 430 Series stainless steel tubular legs with adjustable plastic feet

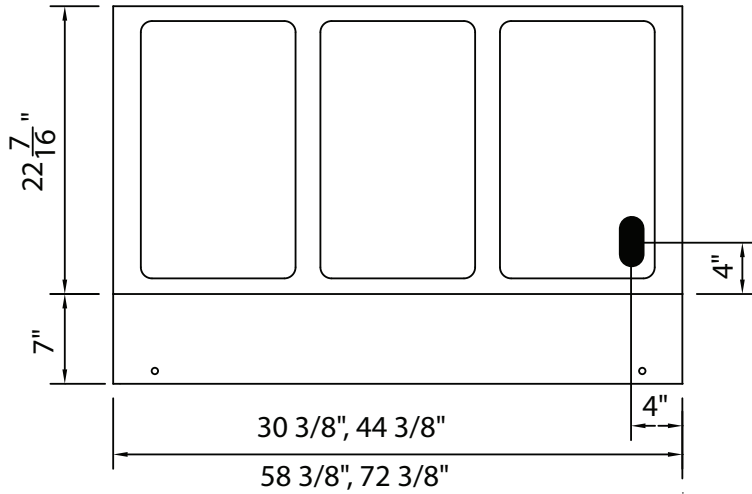
CONTROLS

- Natural or Propane, as specified
- Galvanized steel radiation plate in each compartment
- Gas pressure regulator furnished in each unit
- Burners controlled by individual adjustable valves

Aerohot®

A.I.A. File No. 35-C-13

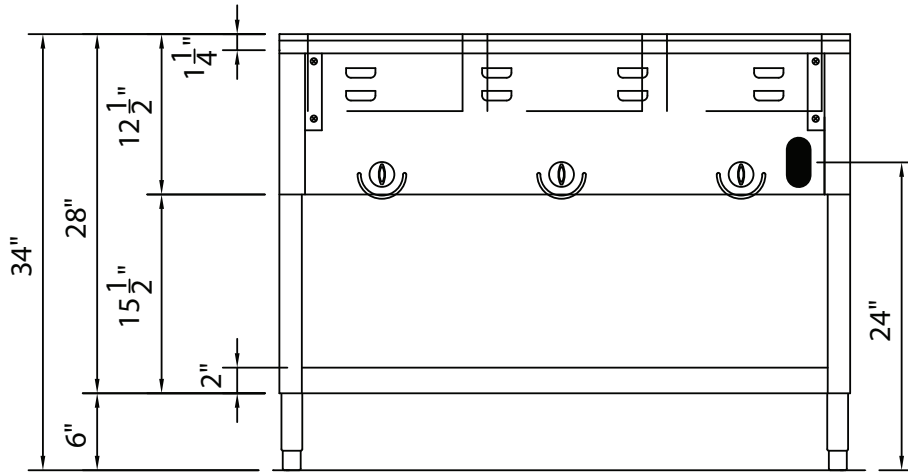
Catalog No. AFS-GAS



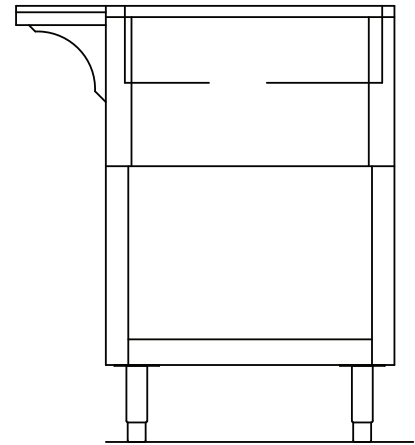
TOP VIEW

Model	# Burners	Total BTU
302	2	5,000
303	3	7,500
304	4	10,000
305	5	12,500

LEGEND	
■	GAS CONNECTION



FRONT VIEW



RIGHT SIDE VIEW

DIMENSIONS:

Freight Class: 85

Model	Length		Width		Height		Top Openings	Cube ft. Crated	Weight	
	in	cm	in	cm	in	cm			lbs	kg
302	30-3/8	77.2	22-7/16	57.1	34	86.4	2	23.4	100	45.4
303	44-3/8	112.8	22-7/16	57.1	34	86.4	3	32.5	110	49.9
304	58-3/8	148.3	22-7/16	57.1	34	86.4	4	41.5	125	56.7
305	72-3/8	183.9	22-7/16	57.1	34	86.4	5	50.5	185	83.9

High altitude orifice available - specify elevation. Specify Natural or Propane. 1/2" NPT connection

NOTE: No combustible materials should be stored on bottom shelf. **NOT AVAILABLE IN PORTABLE MODELS.** No provisions shall be made for overshelves or trayslides to be mounted.

AEROHOT™ FOODSERVICE - HOT FOOD UNITS - GAS



Duke Manufacturing Co.
2305 N. Broadway
St. Louis, MO 63102

Phone: 314-231-1130
Toll Free: 1-800-735-3853
Fax: 314-231-5074

www.dukemfg.com

Printed in U.S.A
© 2019, Duke Manufacturing Co.