



Project Name: _____

Location: _____

Item #: _____ Qty: _____

Model: _____

ICE STORAGE BINS

MODEL: 69K-916 69K-919



69K-916



69K-919

Kratos Ice bins are available in two models to fit your ice storage capacity needs, and are designed to fit perfectly with Kratos Ice Modular 22" and 30" ice machines as well as similar sized commercial machines.

FEATURES AND CONSTRUCTION

- Stainless steel and black trim exterior
- Polyethylene storage bin liner for improved sanitation
- LED illuminated interior when access lid is open (powered via connection to ice machine head - sold separately)
- Ice scoop and holder are above the ice line for easy access and improved sanitation
- 6" adjustable legs
- 3/4" drain hookup

MAXIMUM STORAGE CAPACITY

69K-916 310 lbs (141 kg)
 69K-919 470 lbs (213 kg)

COMPATIBLE KRATOS MODELS*

69K-916 (22" Width)
 69K-914
 69K-915

69K-919 (30" Width):
 69K-917
 69K-918

*Kratos Ice bins will accommodate 22" and 30" sized ice machine from any manufacturer

3RD PARTY APPROVALS



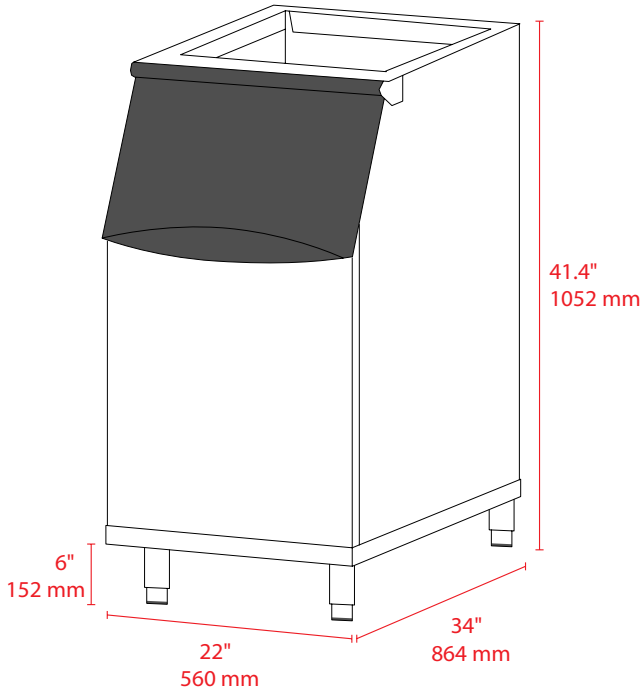
Certified to ANSI NSF 12

KRATOS ICE WARRANTY (USA)

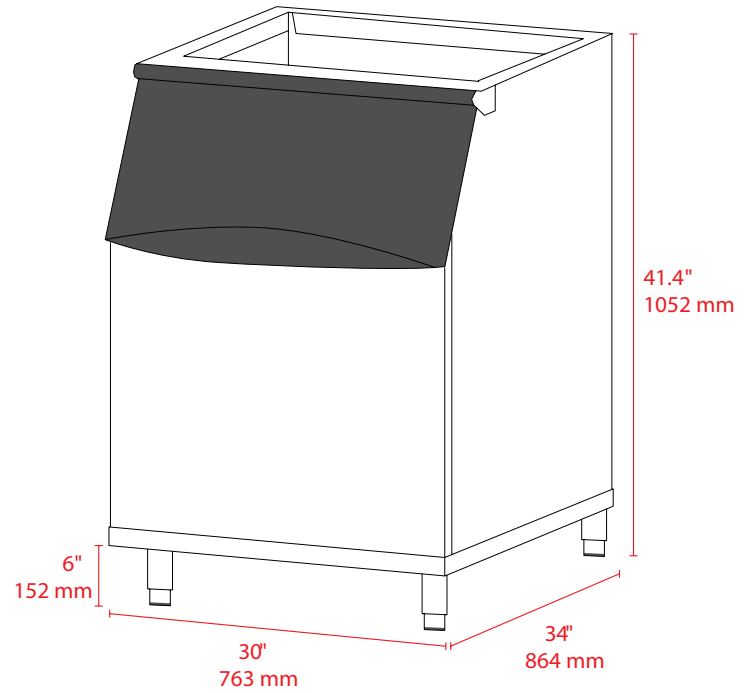
One (1) year parts and on-site labor

Contact Central Restaurant Products for warranty statement at www.centralrestaurant.com or 888.908.8051

69K-916



69K-919



| MODEL | EXTERNAL DIMENSIONS | MAXIMUM ICE STORAGE CAPACITY | AHRI CAPACITY | SHIPPING WEIGHT | DRAIN LINE CONNECTION |
|---------|--|------------------------------|------------------|------------------|-----------------------|
| 69K-916 | 22" x 34" x 41.4" (560 x 864 x 1052 mm) | 310 lbs (141 kg) | 246 lbs (112 kg) | 99.5 lbs (45 kg) | 3/4" |
| 69K-919 | 30" x 34" x 41.4" (763 x 864 x 1052 mm) | 470 lbs (213 kg) | 376 lbs (171 kg) | 117 lbs (53 kg) | 3/4" |

INSTALLATION

- Designed to fit perfectly with Kratos Intelligent Series Modular Ice Machines and most other commercial modular ice machines.
- A gravity drain line is required to install these ice bins