



Project Name: \_\_\_\_\_

Location: \_\_\_\_\_

Item #: \_\_\_\_\_ Qty: \_\_\_\_\_

Model: \_\_\_\_\_

# ELECTRIC STEAM TABLES

- MODEL:  BVST-2-120  BVST-3-120  BVST-4-120  
 BVST-2-240  BVST-3-240  BVST-4-240  BVST-5-240



BVST-2-120



BVST-3-120



BVST-4-120



BVST-5-240

BevLes dry well steam tables are engineered for efficiency. Each well features a single formed Calrod heating element with independent temperature control, designed to hold a variety of foods at precise serving temperature. Dry wells can be used with standard steam table pans or with optional spillage pans when additional moisture is needed.

## FEATURES AND CONSTRUCTION

- Heavy-duty stainless steel top and well liners
- Each well provides precise individual infinite control
- Supplied with 8" D x 1/2" H thick polyethylene cutting board
- Well openings measure 12" x 20" x 8"
- Legs with adjustable feet constructed of galvanized steel
- The galvanized steel undershelf can be adjusted
- Red LED indicator light displays which wells are "ON"

## AVAILABLE OPTIONS

- TC5-5B - Four 5" diameter locking swivel casters
- BVWP - 12" x 20" spillage pan
- 15" Sneeze Guard:
  - BVSG-15-2 - 15" High for 2 wells
  - BVSG-15-3 - 15" High for 3 wells
  - BVSG-15-4 - 15" High for 4 wells
  - BVSG-15-5 - 15" High for 5 wells
- 12" Over-shelf:
  - BVOS-12-2 - 12" Wide for 2 wells
  - BVOS-12-3 - 12" Wide for 3 wells
  - BVOS-12-4 - 12" Wide for 4 wells
  - BVOS-12-5 - 12" Wide for 5 wells
- 18" Over-shelf:
  - BVOS-18-2 - 12" Wide for 2 wells
  - BVOS-18-3 - 12" Wide for 3 wells
  - BVOS-18-4 - 12" Wide for 4 wells
  - BVOS-18-5 - 12" Wide for 5 wells

## ELECTRIC

-120 Models: 120V / 60Hz / 1Ph

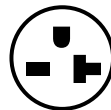
-240 Models: 208-230V / 50-60Hz / 1Ph



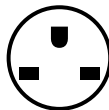
NEMA 5-15P



NEMA 5-20P



NEMA 6-20P



NEMA 6-30P

## 3RD PARTY APPROVALS



Intertek

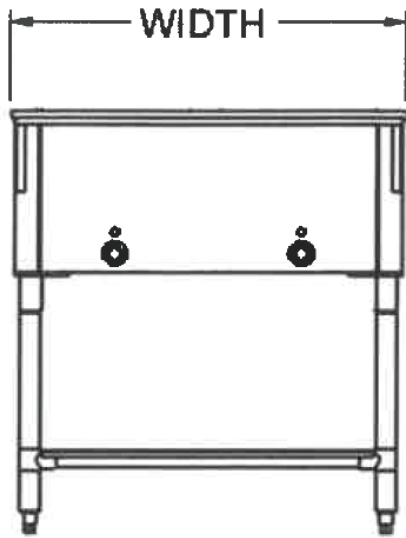


Intertek

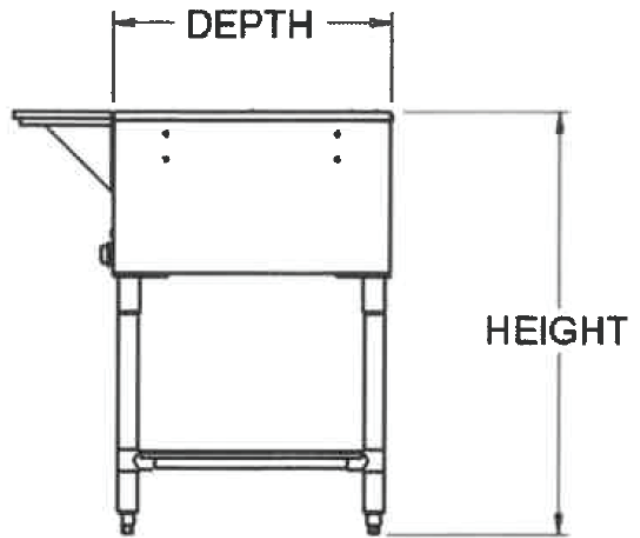


# ELECTRIC STEAM TABLES

FRONT VIEW



SIDE VIEW



MODEL	VOLTAGE	WATTS	PLUG	WIDTH	DEPTH	HEIGHT	SHIPPING WEIGHT
BVST-2-120	120V / 60Hz / 1 Ph	1000	NEMA 5-15P	30" 762 mm	22" 572 mm	34" 864 mm	95 lbs 43 kg
BVST-3-120	120V / 60Hz / 1 Ph	1500	NEMA 5-15P	44" 1118 mm	22" 572 mm	34" 864 mm	128 lbs 58 kg
BVST-4-120	120V / 60Hz / 1 Ph	2000	NEMA 5-20P	58" 1473 mm	22" 572 mm	34" 864 mm	160 lbs 73 kg
BVST-2-240	208-230V / 50-60Hz / 1 Ph	1500 / 2000	NEMA 6-20P	30" 762 mm	22" 572 mm	34" 864 mm	95 lbs 43 kg
BVST-3-240	208-230V / 50-60Hz / 1 Ph	2250 / 3000	NEMA 6-20P	44" 1118 mm	22" 572 mm	34" 864 mm	128 lbs 58 kg
BVST-4-240	208-230V / 50-60Hz / 1 Ph	3000 / 4000	NEMA 6-30P	58" 1473 mm	22" 572 mm	34" 864 mm	160 lbs 73 kg
BVST-5-240	208-230V / 50-60Hz / 1 Ph	3750 / 5000	NEMA 6-30P	72" 1828 mm	22" 572 mm	34" 864 mm	197 lbs 89 kg