

PIZZA PREPARATION TABLES

Model: 69K-013HC 69K-014HC 69K-015HC



69K-013HC



69K-014HC



69K-015HC

Central Pizza Preparation Tables provide users with a reliable and efficient way to quickly prepare pizzas and are available at an unbeatable value. A stainless steel exterior ensures durability and years of reliable service.

FEATURES

- Easy to grip recessed drawer handles
- 4 Casters (2 locking, 2 non-locking)
- Adjustable, heavy-duty wire shelves (1 per section/door)
- Available in multiple sizes to suit your needs
- Available in 120V/60Hz
- 17.75" deep cutting board is included on all models
- Comes with full set of clip on divider bars and 4" deep plastic pans

TEMPERATURE

- Holding temperature: 34° to 41°F (1° to 5°C)
- Forced-air refrigeration
- Efficient cooling system

CONSTRUCTION

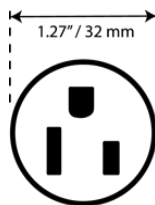
- Exterior Material: Durable, easy to clean stainless steel
- Interior Material: Coated aluminum
- CFC Free Polyurethane insulated walls and doors
- Standard recessed door handles

REFRIGERANT

Environmentally-friendly R290a

ELECTRIC

120/60Hz/1 Ph (NEMA 5-15)



NEMA 5-15P



Intertek
Conforms to
ANSI-NSF 7



Intertek
Conforms to
ANSI UL 471



Environmentally
Friendly



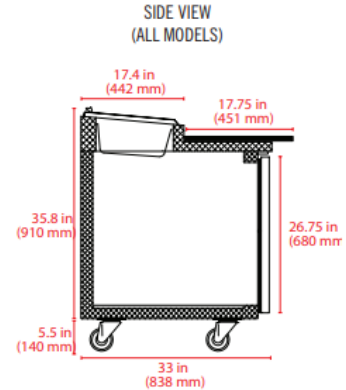
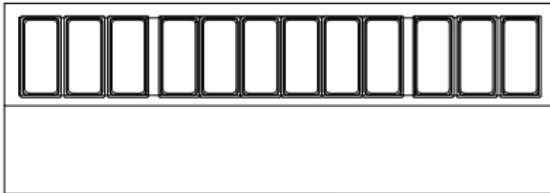
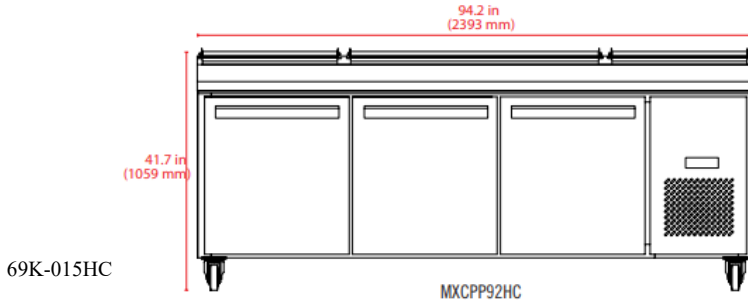
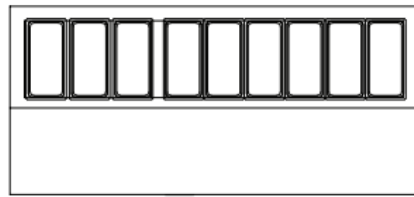
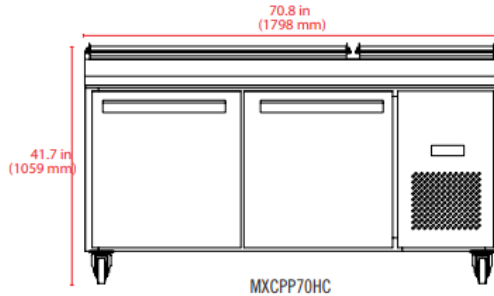
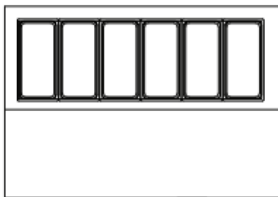
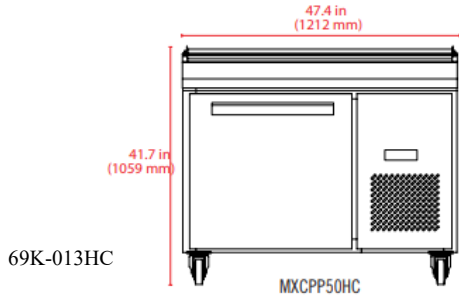
DOE 2017
Compliant

WARRANTY (USA / CANADA)

One (1) year parts
One (1) year on-site labor
Administered by Central, 800-289-3637

Due to periodic changes in designs, methods, procedures, policies and regulations, the specifications contained in this sheet are subject to change without notice. While we exercise good faith efforts to provide information that is accurate, we are not responsible for errors or omissions in information provided or conclusions reached as a result of using the specifications. By using the information provided, the user assumes all risks in connection with such use.

PIZZA PREPARATION TABLES



	External Dimensions in / mm	Internal Dimensions in / mm	Capacity	Voltage	Watts	R290 Charge Size	Unit Weight	Pans (1/3)
69K-013HC	47.4 x 33 x 41.7 1212 x 838 x 1059	25.7 x 28.1 x 24.5 653 x 714 x 623	12 Cu Ft 340 L	120V/60Hz	805	3.7 oz	348 lb 158 kg	6
69K-014HC	70.8 x 33 x 41.7 1798 x 838 x 1059	49.1 x 28.1 x 24.5 1247 x 714 x 623	22 Cu Ft 623 L	120V/60Hz	862	3.7 oz	432 lb 196 kg	9
69K-015HC	94.2 x 33 x 41.7 2393 x 838 x 1059	72.4 x 28.1 x 24.5 1839 x 714 x 623	32 Cu Ft 906 L	120V/60Hz	1035	3.7 oz	582 lb 264 kg	12

Due to periodic changes in designs, methods, procedures, policies and regulations, the specifications contained in this sheet are subject to change without notice. While we exercise good faith efforts to provide information that is accurate, we are not responsible for errors or omissions in information provided or conclusions reached as a result of using the specifications. By using the information provided, the user assumes all risks in connection with such use.