



STAINLESS STEEL  
**HAND SINKS**  
**SPACE SAVER UNITS**



Keyhole Bracket for easier installation and greater stability.



**Item #:** \_\_\_\_\_ **Qty #:** \_\_\_\_\_  
**Model #:** \_\_\_\_\_  
**Project #:** \_\_\_\_\_



7-PS-22



7-PS-23

**FEATURES:**

One piece **Deep Drawn** sink bowl design.  
 Sink bowl is 9" x 9" x 5".  
 All sink bowls have a large liberal radii with a minimum dimension of 1" and are square in design.  
 Keyhole wall mount bracket.  
 1 1/2" stainless steel drain with strainer plate.

**Specific Features:**

**7-PS-22** and **7-PS-83** 4" O.C. centerset faucet furnished with aerator.  
**7-PS-23** and **7-PS-84** 4" O.C. splash mounted gooseneck faucet furnished with aerator.  
**7-PS-83** and **7-PS-84** liquid soap & towel dispenser with hinged towel box. Unit uses standard C-fold towels.

**CONSTRUCTION:**

All TIG welded.  
 Welded areas blended to match adjacent surfaces and to a satin finish.  
 Die formed Countertop Edge with a No-Drip offset.  
 One sheet of stainless steel - No Seams.

**MATERIAL:**

Heavy gauge type 304 series stainless steel.  
 Wall mounting bracket is stainless steel and of offset design.  
 All fittings are brass / chrome plated unless otherwise indicated.

**MECHANICAL:**

Faucet supply is 1/2" IPS male thread hot and cold.

**WITH SOAP & TOWEL DISPENSERS**



7-PS-84



7-PS-83

**Standard Faucet conforms to NSF 61 Standard 9.  
 Faucets Are AB1953 Lead Free Compliant.**

For Replacement Faucets & Upgrades, Drains & Accessories visit our website at [www.advancetabco.com](http://www.advancetabco.com)



**Customer Service Available To Assist You 1-800-645-3166 8:30 am - 8:00 pm E.S.T.**  
 Email Orders To: [customer@advancetabco.com](mailto:customer@advancetabco.com). For Smart Fabrication™ Quotes, Email To: [smartfab@advancetabco.com](mailto:smartfab@advancetabco.com) or Fax To: 631-586-2933

**NEW YORK**  
 Fax: (631) 242-6900

**GEORGIA**  
 Fax: (770) 775-5625

**TEXAS**  
 Fax: (972) 932-4795

**NEVADA**  
 Fax: (775) 972-1578

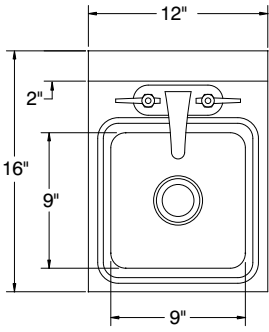
# DIMENSIONS and SPECIFICATIONS

TOL Overall: ± .500" Interior: ± .250"

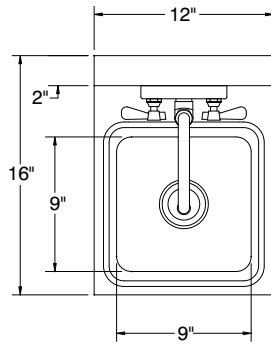
FITTINGS SUPPLIED AS SHOWN

ALL DIMENSIONS ARE TYPICAL

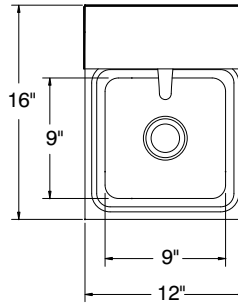
TOP VIEW FOR 7-PS-22



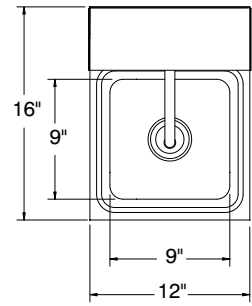
TOP VIEW FOR 7-PS-23



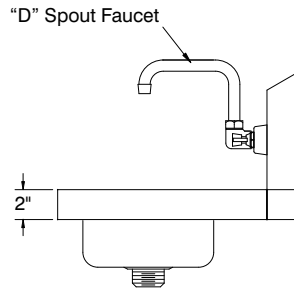
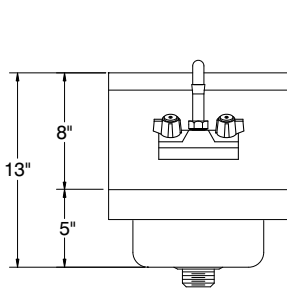
TOP VIEW FOR 7-PS-83



TOP VIEW FOR 7-PS-84

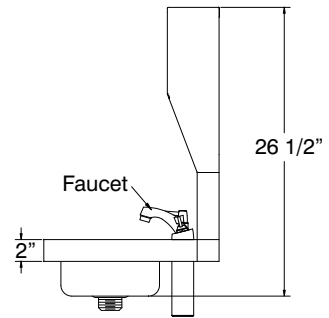
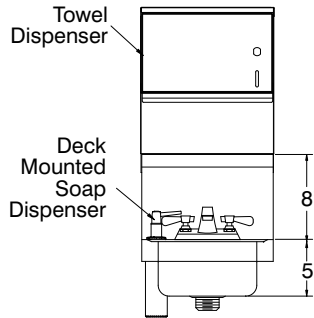


7-PS-23



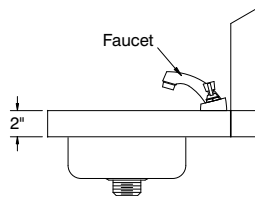
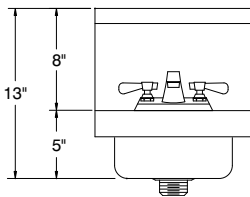
12 lbs.

7-PS-83



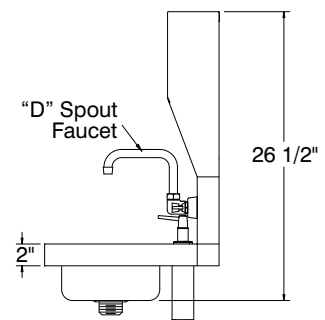
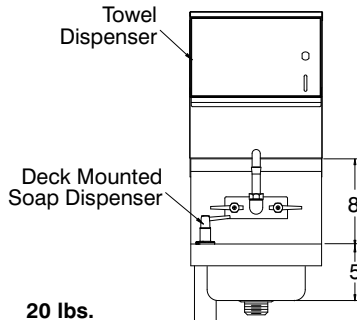
20 lbs.

7-PS-22



12 lbs.

7-PS-84



20 lbs.

