



WOOD TOP BAKERS TABLES with Coved Risers



TBS-TBG Series
with Open Base



BS-BG Series
with Undershef



BST-BGT Series
with 3 Tier Drawers

**FOR MAPLETEX TABLES WITH
COVED RISERS, PLEASE
CONSULT FACTORY**

TBS-TBG Series Open Base

Approx. Shipping Weight
is 30 lbs. per lineal foot

BS-BG Series Undershef

Approx. Shipping Weight
is 35 lbs. per lineal foot

BST-BGT Series 3 Tier Drawer

Approx. Shipping Weight
is 40 lbs. per lineal foot



Item #: _____ Qty #: _____

Model #: _____

Project #: _____

Stainless Steel Base Galvanized Base

| Length | 30" Wide | 36" Wide | 30" Wide | 36" Wide |
|--------|----------|----------|----------|----------|
| 48" | TBS-304 | TBS-364 | TBG-304 | TBG-364 |
| 60" | TBS-305 | TBS-365 | TBG-305 | TBG-365 |
| 72" | TBS-306 | TBS-366 | TBG-306 | TBG-366 |
| 84" | TBS-307 | TBS-367 | TBG-307 | TBG-367 |
| 96" | TBS-308 | TBS-368 | TBG-308 | TBG-368 |

Stainless Steel Base Galvanized Base

| Length | 30" Wide | 36" Wide | 30" Wide | 36" Wide |
|--------|----------|----------|----------|----------|
| 48" | BS-304 | BS-364 | BG-304 | BG-364 |
| 60" | BS-305 | BS-365 | BG-305 | BG-365 |
| 72" | BS-306 | BS-366 | BG-306 | BG-366 |
| 84" | BS-307 | BS-367 | BG-307 | BG-367 |
| 96" | BS-308 | BS-368 | BG-308 | BG-368 |

Stainless Steel Base Galvanized Base

| Length | 30" Wide | 36" Wide | 30" Wide | 36" Wide |
|--------|----------|----------|----------|----------|
| 48" | BST-304 | BST-364 | BGT-304 | BGT-364 |
| 60" | BST-305 | BST-365 | BGT-305 | BGT-365 |
| 72" | BST-306 | BST-366 | BGT-306 | BGT-366 |
| 84" | BST-307 | BST-367 | BGT-307 | BGT-367 |
| 96" | BST-308 | BST-368 | BGT-308 | BGT-368 |

FEATURES & CONSTRUCTION:

Laminated 1-3/4" thick Hard Wood Top with 4" coved corner risers.

Gussets welded to support channels.

BST or BGT Series

Three tier drawer unit features 20" x 20" x 5" Deep Drawn insets mounted on bearing slides.

BS or BG Series

Aluminum die cast "leg-to-shelf" clamp secures shelf to leg eliminating unsightly nuts and bolts. Undershef is adjustable.

TBS or TBG Series

Front to back Stretchers are welded to legs. Left to right Stretcher bolted to legs and requires assembly.

MATERIAL:

TOP: Laminated 1-3/4" thick hard maple with 4" coved corner risers and reinforced with steel rods.

SHELF: **BS Series:** 18 gauge stainless steel.
BG Series: Heavy gauge galvanized steel.

TIER

DRAWER: **BST Series:** 18 gauge stainless steel body, drawer fronts and handles.
BGT Series: Heavy gauge galvanized steel body, drawer fronts and handles.

LEGS:

BS - TBS - BST Series: 1 5/8" diameter tubular stainless steel gussets and 1" adjustable stainless steel bullet feet.
BG - TBG - BGT Series: 1 5/8" diameter heavy gauge tubular galvanized steel with galvanized steel gussets and 1" adjustable plastic bullet feet.

Spice Bins and Shelf are Available



Customer Service Available To Assist You **1-800-645-3166** 8:30 am - 8:00 pm E.S.T.

Email Orders To: customer@advancetabco.com. For Smart Fabrication™ Quotes, Email To: smartfab@advancetabco.com or Fax To: 631-586-2933

NEW YORK
Fax: (631) 242-6900

GEORGIA
Fax: (770) 775-5625

TEXAS
Fax: (972) 932-4795

NEVADA
Fax: (775) 972-1578

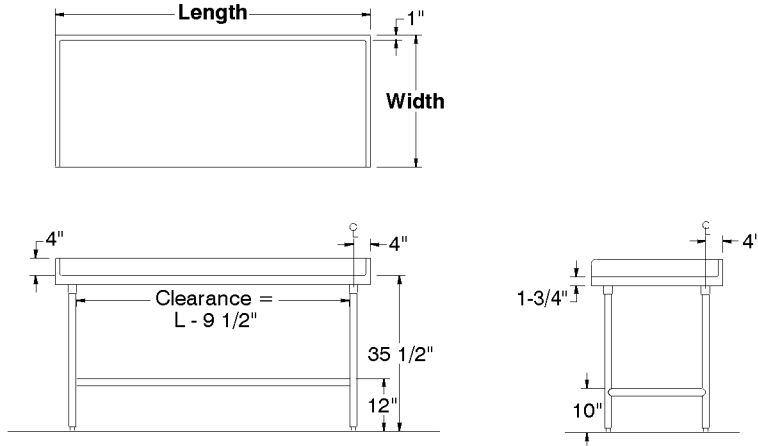
DETAILS and SPECIFICATIONS

TOL ± .500"

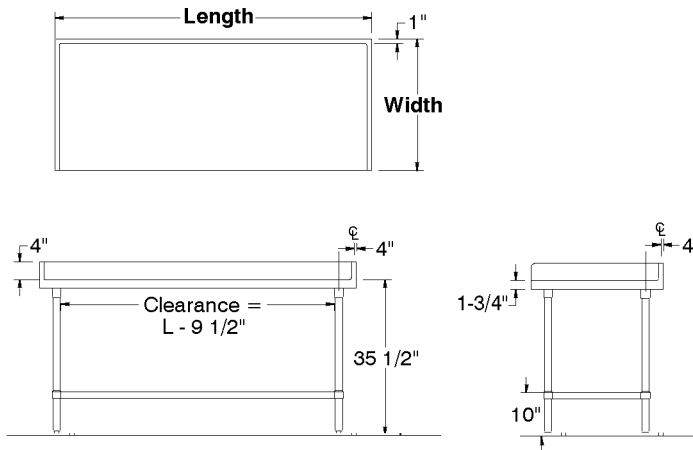
Units 8 ft. & larger are furnished with six (6) legs.

ALL DIMENSIONS ARE TYPICAL

TBS-TBG Series Open Base



BS-BG Series Undershelf



BST-BGT Series 3 Tier Drawer

