



ALUMINUM
STEAM TABLE PAN RACK



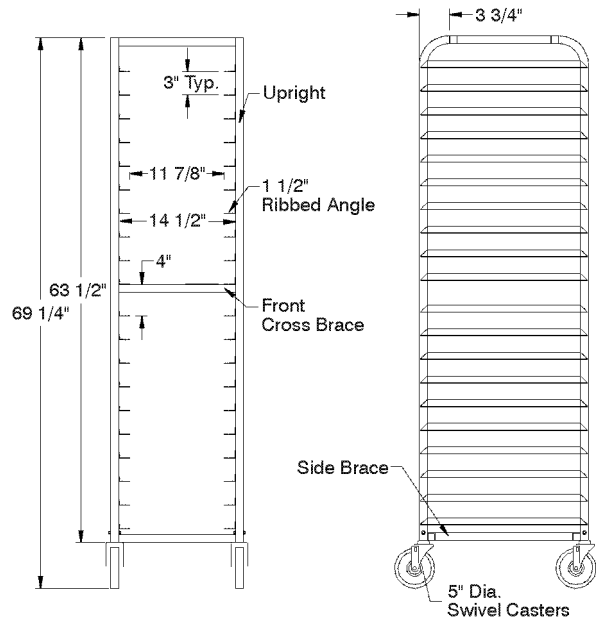
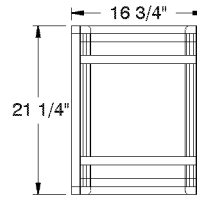
Item #: _____

Model #: _____

Project#: _____



MODEL #		Qty
S	W	



FEATURES:

- Curved top design.
- Heavy duty welded construction with 6 cross supports.
- Heavy duty 5" stem bolted swivel casters.
- Holds 23" x 23" and 24" x 24" donut screens.
- 1 1/2" Ribbed Angles.

CONSTRUCTION:

Fully welded 1" square tubing ladder assembly.

MATERIAL:

6063-T52 extruded aluminum angles, upright tubing, and support pieces.

MODEL #		Pan Capacity	Shelf Spacing	Overall Size L x W x H	Weight
S	W	20	3"	16 3/4" x 21 1/4" x 69 1/4"	25 lbs.



NEW YORK
(800) 645-3166
Fax: (631) 242-6900

GEORGIA
(800) 832-1218
Fax: (770) 775-5625

TEXAS
(800) 527-0353
Fax: (972) 932-4795

NEVADA
(800) 446-8684
Fax: (775) 972-1578

200 Heartland Boulevard, Edgewood, NY 11717-8380
e-mail: advancetabco@advancetabco.com www.advancetabco.com

Central Restaurant Products