



"ST6R5-GBK" Stainless Steel Top Work Tables w/ Riser

w/ 16 Gauge Stainless Steel Work Top
w/ Galvanized Base & Adjustable Bracing



Item #	_____	Qty	_____
Model #	_____		
Project	_____		

16 GAUGE TOP w/ ADJUSTABLE BRACING					
24"WIDE	Qty	30"WIDE	Qty	36"WIDE	Qty
ST6R5-2436GBK		ST6R5-3036GBK		ST6R5-3636GBK	
ST6R5-2448GBK		ST6R5-3048GBK		ST6R5-3648GBK	
ST6R5-2460GBK		ST6R5-3060GBK		ST6R5-3660GBK	
ST6R5-2472GBK		ST6R5-3072GBK		ST6R5-3672GBK	
ST6R5-2484GBK		ST6R5-3084GBK		ST6R5-3684GBK	
ST6R5-2496GBK		ST6R5-3096GBK		ST6R5-3696GBK	
ST6R5-24108GBK		ST6R5-30108GBK		ST6R5-36108GBK	
ST6R5-24120GBK		ST6R5-30120GBK		ST6R5-36120GBK	

FEATURES:

- * 16 Gauge Stainless Steel Top with 5" Riser & turndown
Type 300 stainless steel with # 3 polish, satin finish
- * Top is **Sound Deadened**
- * Reinforced with 1"x2" channel running entire length of table
- * 1 1/2" **Stallion Edge** on front and rear with side edges 90 degree bend down for table line-up
- * Galvanized Base with **Adjustable** Bracing
- * Adjustable bullet feet
- * Shipped knocked-down, easy - to - assemble
- * NSF Approved



Adjustable Bracing

CONSTRUCTION:

Top: Stainless Steel Tops are TIG welded, Exposed welds are polished to match adjacent surface.

MATERIAL:

Top: 16 gauge stainless steel
Type 300 stainless steel with # 3 polish, satin finish

Bracing: 1 1/4" Round O.D. 18 gauge galvanized steel

Legs: 1 5/8" Round O.D., 16 gauge tubular galvanized steel

Gussets: Galvanized Steel

Feet: 1" adjustable galvanized bullet feet

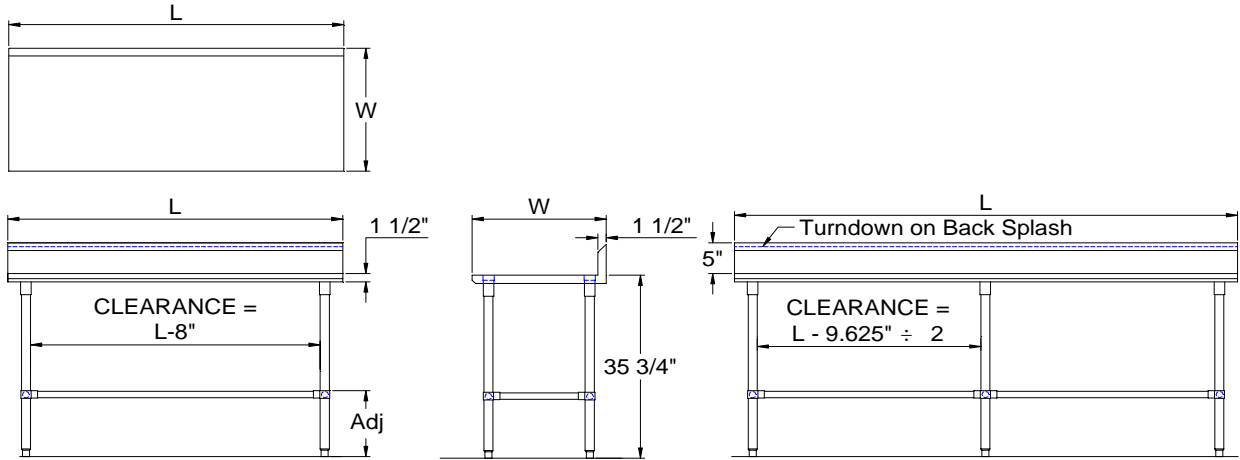
OPTIONAL ACCESSORIES

	MODEL #	Qty
DRAWER		
DRAWER LOCK		
CASTERS		
OVERSHELVES		
SINKS		
POT RACK		

John Boos & Co

315 South First Street - Effingham, IL 62401
Phone: 217-347-7701 - Fax: 217-347-7705
Email: sales@johnboos.com - Web-site: www. johnboos.com

DETAILED SPECIFICATIONS

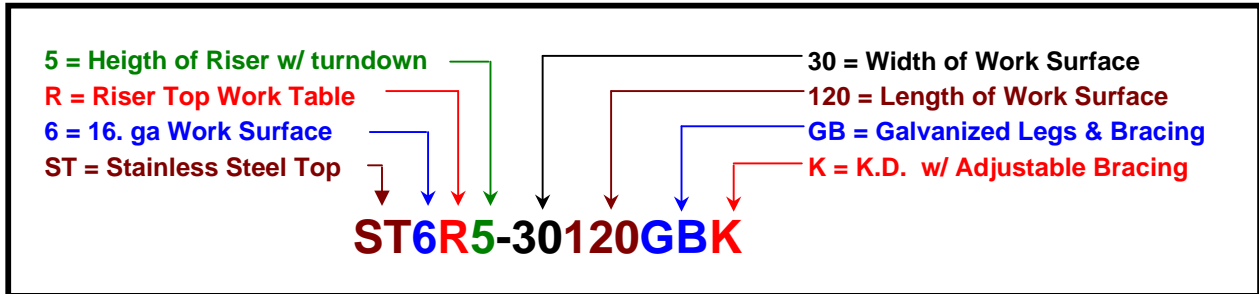


All units ship unassembled for reduced shipping cost.
 Units 7 ft. and larger are furnished with six legs.
 All dimensions are typical.
 Tolerance +/- .500".

Finished size of undershelf.
 Shelf length = length minus 4.875"
 Shelf width = width minus 4.25"

16 GAUGE TOP & UNDERSHELF

L	24" WIDE	WT.	30" WIDE	WT.	36" WIDE	WT.
36	ST6R5-2436GBK	49	ST6R5-3036GBK	53	ST6R5-3636GBK	65
48	ST6R5-2448GBK	58	ST6R5-3048GBK	64	ST6R5-3648GBK	72
60	ST6R5-2460GBK	69	ST6R5-3060GBK	76	ST6R5-3660GBK	80
72	ST6R5-2472GBK	79	ST6R5-3072GBK	87	ST6R5-3672GBK	93
84	ST6R5-2484GBK	93	ST6R5-3084GBK	103	ST6R5-3684GBK	110
96	ST6R5-2496GBK	107	ST6R5-3096GBK	118	ST6R5-3696GBK	127
108	ST6R5-24108GBK	117	ST6R5-30108GBK	130	ST6R5-36108GBK	139
120	ST6R5-24120GBK	127	ST6R5-30120GBK	141	ST6R5-36120GBK	151



John Boos & Co

315 South First - Effingham, IL 62401 Phone: 217-347-7701 - Fax: 217-347-7705
 Email: sales@johnboos.com - Web-site: www.johnboos.com



June 2009

John Boos is constantly engaged in a program of improving products and therefore reserves the right to change specification without prior notice