

ITEM #: _____ QTY: _____
 MODEL #: _____
 PROJECT NAME: _____

PRO-BOWL DROP-IN HAND SINK



1 BOWL

FEATURES:

- ONE PIECE DEEP DRAWN BOWL
- ALL SINK BOWLS HAVE LARGE LIBERAL RADII CORNERS
- INCLUDES BASKET DRAIN
- DECK MOUNT FAUCET HOLES - 4" ON-CENTER

CONSTRUCTION:

- BOWL: STAINLESS STEEL TOPS ARE TIG WELDED, EXPOSED WELDS ARE POLISHED TO MATCH ADJACENT SURFACE.

MATERIAL:

- BOWL: TYPE 300 STAINLESS STEEL POLISH, SATIN FINISH
- BRACKET: TYPE 300 STAINLESS STEEL POLISH, SATIN FINISH

Click here to buy now!



1-866-285-1252



SK01



PB-DISINK090905

PRO-BOWL DROP-IN HAND SINKS

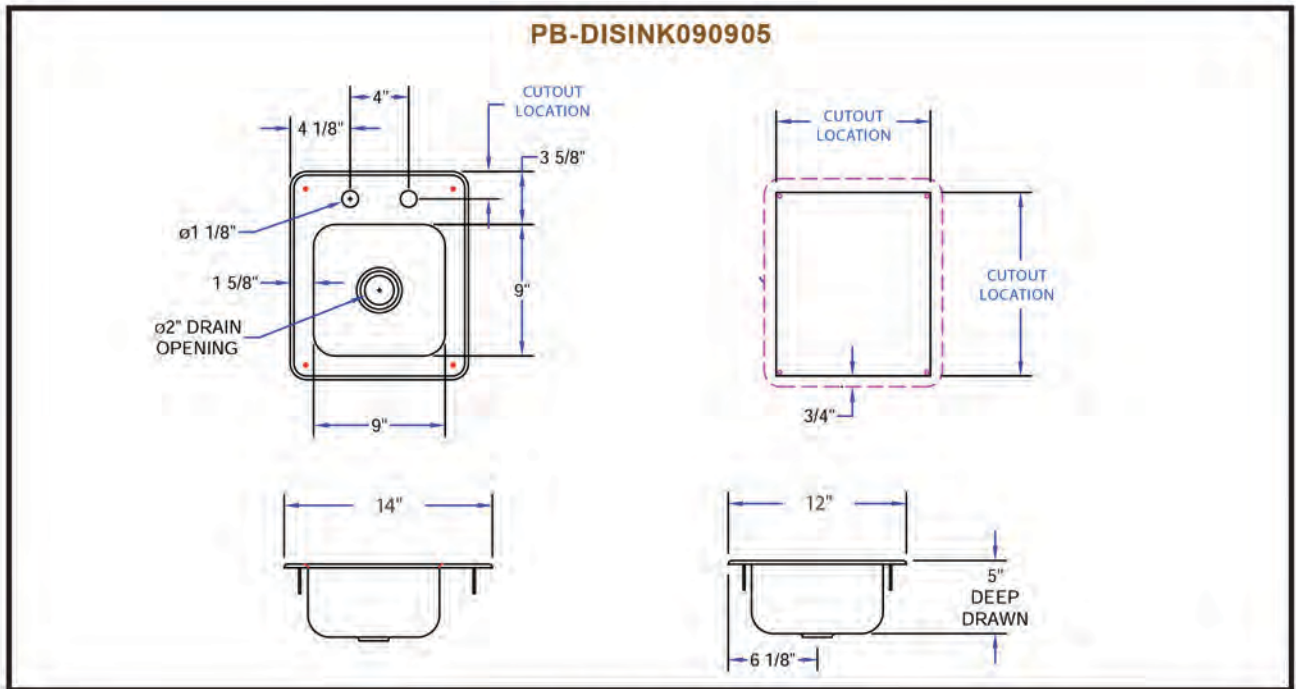
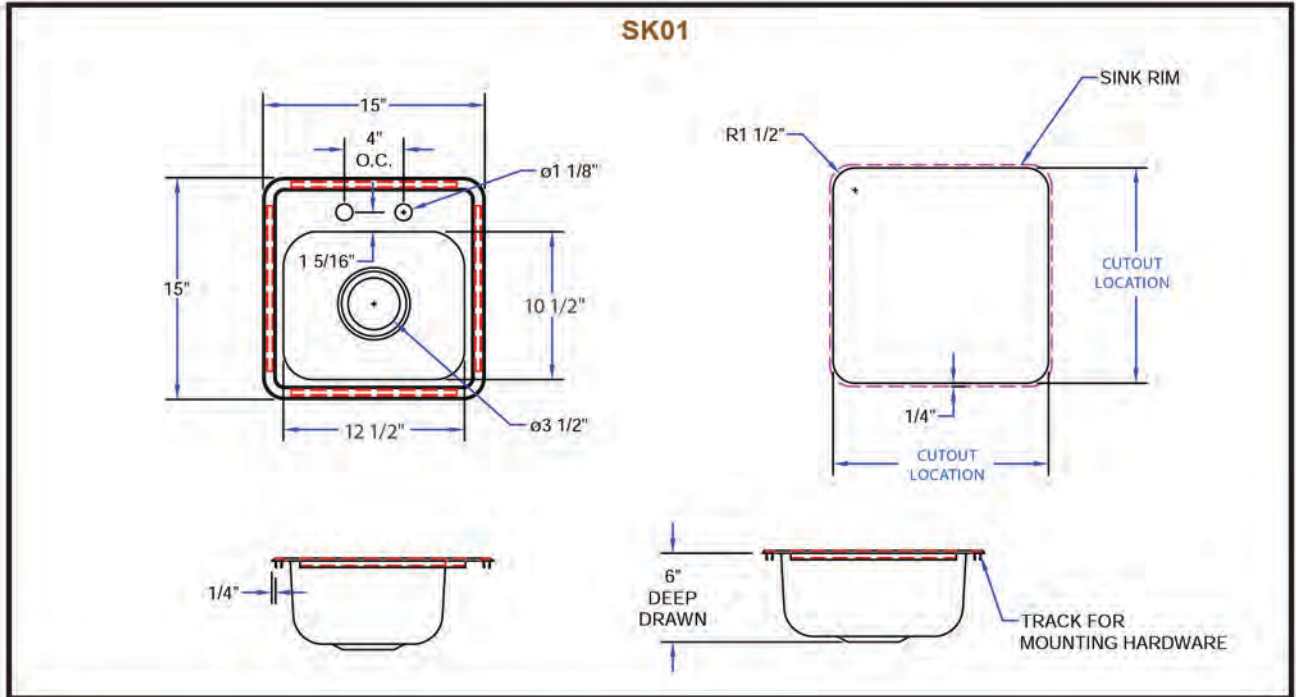
MODEL #	QTY
SK01	
PB-DISINK090905	

CALL FACTORY FOR CUT OUT SIZES.

OPTIONAL ACCESSORIES

DESCRIPTION	QTY
FAUCETS	
SIDE SPASH	
ADA WRIST BLADES	
TOWEL DISPENSER	
LEVER WASTES	
OVER FLOWS	
P-TRAPS	

PRO-BOWL DROP-IN HAND SINKS DETAILED SPECIFICATIONS



PRO-BOWL DROP-IN HAND SINKS

MODEL #	BOWL SIZE (LxWxD)	SINK SIZE (LxWxD)	CERTIFICATION	SIDE SPLASH
SK01	12-1/2" X 10-1/2" X 6"	15" X 15" X 6"	NSF COMPONENT	N/A
PB-DISINK090905	9" X 9" X 5"	12" X 14" X 5"	NSF COMPONENT	N/A

CALL FACTORY FOR CUT OUT SIZES. WEIGHTS ARE SUBJECT TO ADDITIONAL PACKAGING

SOME UNITS SHIP UNASSEMBLED FOR REDUCED SHIPPING COST. ALL DIMENSIONS ARE TYPICAL. TOLERANCE +/- .500"