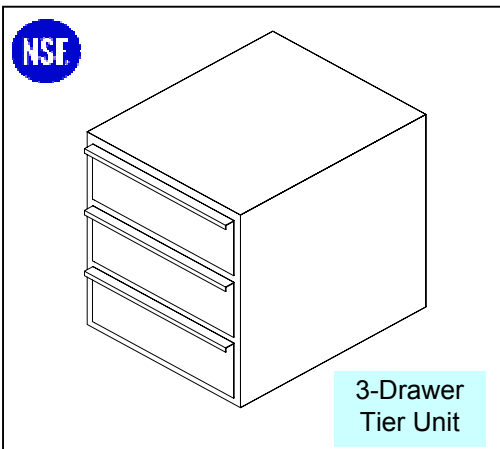
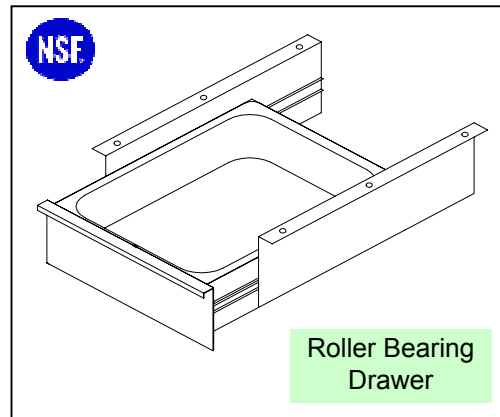
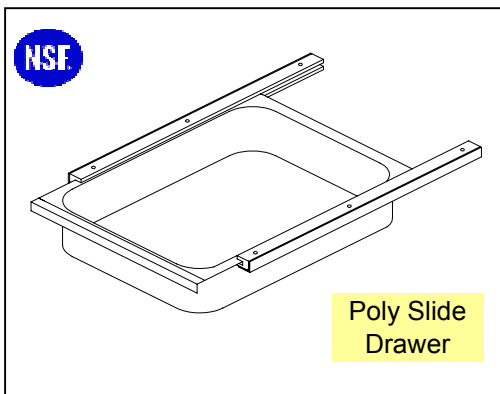
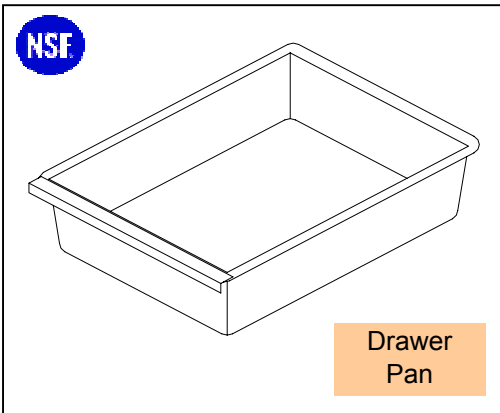


"Drawers and Drawer Pans"



Drawers for Wood Top Tables		
Model	Decription	Size
D03	Stainless Steel Drawer Pan Poly Slide	15"x20"x5"
D05	Plastic Drawer Pan Poly Slide	15"x20"x5"
D07	Roller Bearing Drawer - Stainless Steel Front, Galvanized Drawer Pan	15"x20"x5"
D09	Roller Bearing Drawer - Stainless Steel Front, Stainless Steel Drawer Pan	15"x20"x5"
D20	Roller Bearing Drawer - Stainless Steel Front, Stainless Steel Drawer Pan	20"x20"x5

Drawers for Stainless and Poly Top Tables		
Also SBO & SBS		
Model	Decription	Size
D04	Stainless Steel Drawer Pan Poly Slide	15"x20"x5"
D06	Plastic Drawer Pan Poly Slide	15"x20"x5"
D07	Roller Bearing Drawer - Stainless Steel Front, Galvanized Drawer Pan	15"x20"x5"
D09	Roller Bearing Drawer - Stainless Steel Front, Stainless Steel Drawer Pan	15"x20"x5"
D20	Roller Bearing Drawer - Stainless Steel Front, Stainless Steel Drawer Pan	20"x20"x5

3-Drawer Tier Units		
Model	Decription	Size
D11	3-Drawer Tier Unit For Wood Top Tables	21"x19-1/2"x24"
D11E	3-Drawer Tier Unit For Enclosed Base Tables	21"x19-1/2"x24"

John Boos is constantly engaged in a program of improving products and therefore reserves the right to change specification without prior notice

12-18-2003

John Boos & Co

315 South First Street - Effingham, IL 62401

Phone: 217-347-7701 - Fax: 217-347-7705

Email: sales@johnboos.com or johnboos.com