

PRODUCT NAME:

GLASS FILLER

_____ SPECIAL CONFIGURATION
(CHECK BASE MODEL AND OPTIONS)



MODEL:

10200

OPTIONS OR MODIFICATIONS:

OTHER _____

FEATURES:

- * STAINLESS STEEL HEAD
- * MEETS NSF 61/SEC.9 
- * TAMPER PROOF VOLUME CONTROL
- * HANDLES BOTH PAPER & GLASS CUPS
- * DELRIN PRONG, NON-MARRING
- * STAINLESS STEEL SEAT SCREWS
- * STAINLESS STEEL STREAM STRAINER
- * FITS FISHER & T&S PEDESTAL GLASS FILLERS
-  TESTED UNDER NSF-CSA ALLIANCE PROGRAM

RECOMMENDED SETTINGS

- * 2.2 GPM MAX. AT 80 PSI

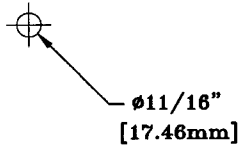
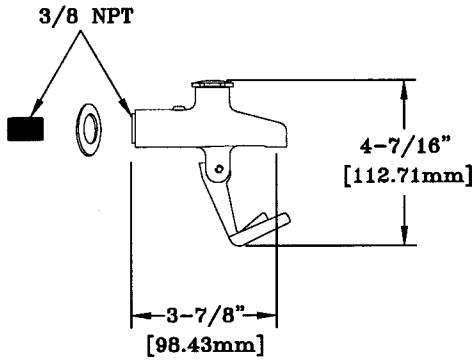
SYSTEM LIMITS


- * TEMP: 40°F MIN. TO 140°F MAX.
- * PRESSURE 100 PSI MAX. STATIC

ROUGH-IN:

SHIPPING WEIGHT

- * 1.0 LBS



 ANSI/A112.18.1M

FISHER MANUFACTURING COMPANY