

BOTTOM MOUNT REACH-IN FREEZERS

Bottom Mounted Condensing Unit



EB – Series • EBF1 • EBWF1 • EBWFH2 • EBNF2 • EBSF2 • EBF2 • EBF3



▲ EBF1



▲ EBWF1



▲ EBWFH2



▲ EBNF2



▲ EBSF2



▲ EBF2



▲ EBF3

Cabinet Construction

Heavy duty stainless steel interior and exterior, with galvanized steel finished top, bottom and back wall of exterior. ABS evaporator drain covers. 2.5" thick high density foamed-in-place polyurethane insulation. Four or six 4" diameter casters (front casters with brakes) with additional front weight support legs. Door heater installed around inside cabinet frame to prevent moisture build-up.

Refrigeration System

- Bottom mounted condensing unit
- Oversized condenser and evaporator coils quickly achieve and maintain desired temperature
- Forced-air cooling with multiple evaporator fan motors provide balanced airflow throughout cabinet to ensure faster temperature drop
- Environmentally friendly CFC free R-404A refrigerant
- Adjustable, time-initiated defrost cycle of 3 to 12 hours with 350 watt defrost heater, both time and temperature terminated for fail-safe operation
- Automatic evaporator fan motor delay after defrost cycle
- Copper tube and aluminum fin evaporator with anti-corrosive coating
- Energy efficient condensate drain pan with wicking pads for self sufficient condensation removal
- Pressure relief ports for rapid re-entry
- Interior airflow backward to ensure proper air circulation
- Pre-wired and ready to plug, 115V/60Hz/1Ph, NEMA 5-15P (model EBF3 (230V/60Hz/1Ph) without plug)

Lighting

- Shielded incandescent interior lighting

Doors

- Heavy duty stainless steel interior and exterior
- 2.5" thick high density foamed-in-place polyurethane insulation
- Heavy duty adjustable torsion spring self-closing door system
- One piece snap-in magnetic door gaskets for easy replacement
- Heavy duty recessed door handles for a flat surface
- Door locks
- Field reversible doors

Shelving

- Three epoxy coated wire shelves per section
- Stainless steel pilasters and shelf clips

Temperature Control

- Factory preset temperature, -4°F
- Temperature setting range from -10°F to 54°F
- Easy to read digital temperature display
- Easy to program push-button temperature control
- Microchip digital control and monitoring system with a variety of functions to monitor and maintain optimum temperature



5 YEAR Compressor
3 YEAR Parts & Labor

Dimensions

ABS Legs



Two additional front adjustable stainless steel clad ABS legs to provide extra stability when opening and closing door, and three additional legs for EBF3 for weight support.

✓: Vacuum Relief Mechanism

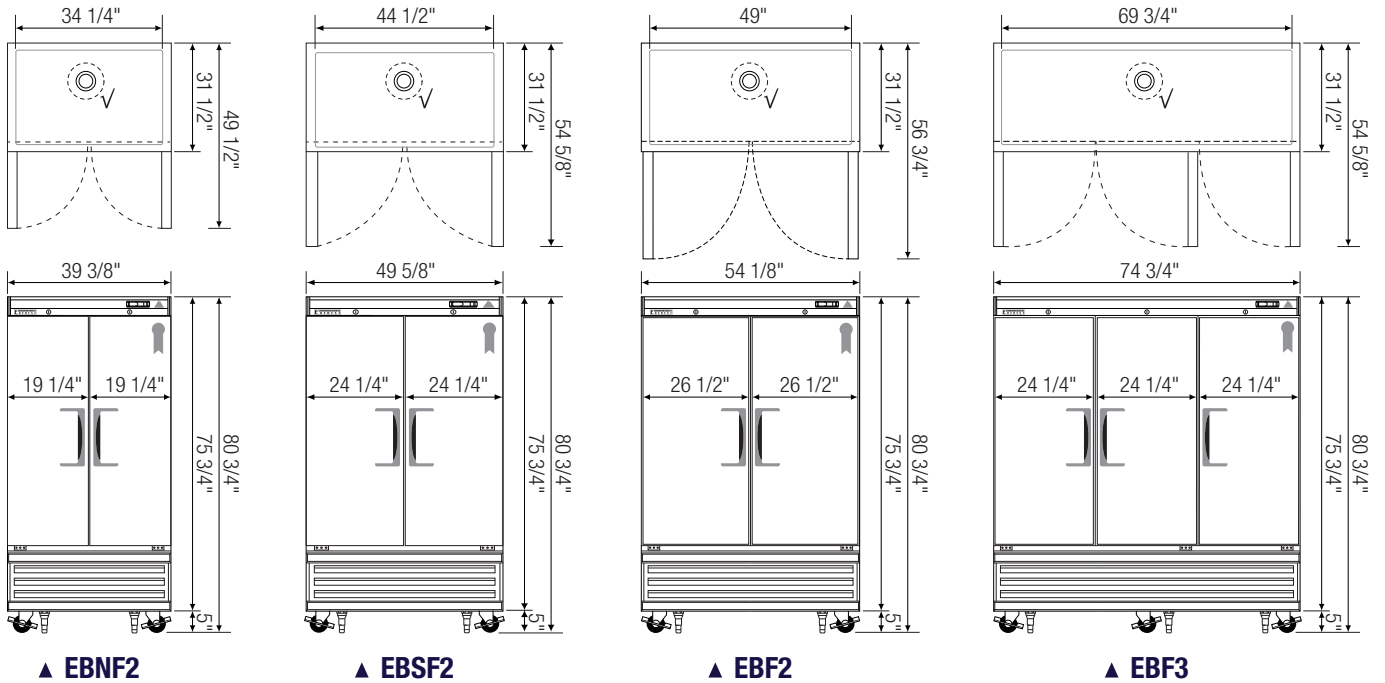
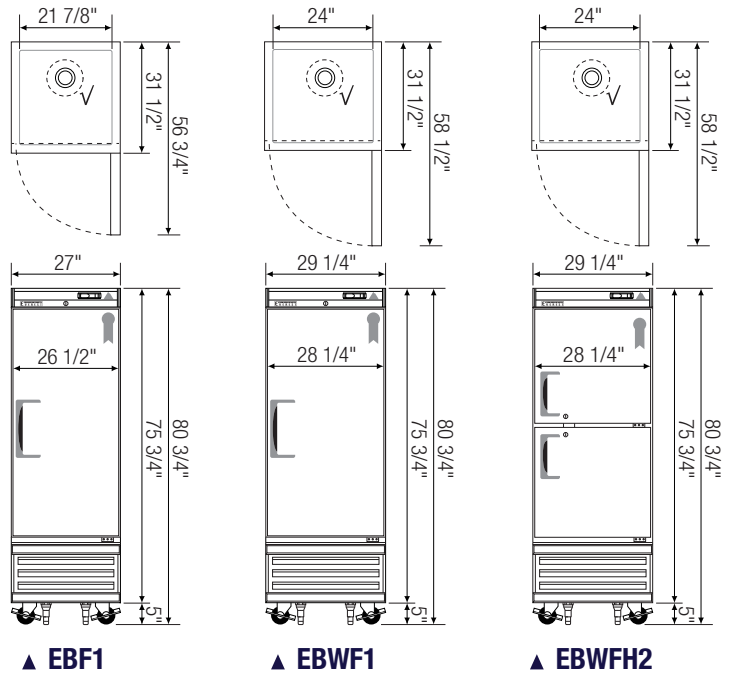
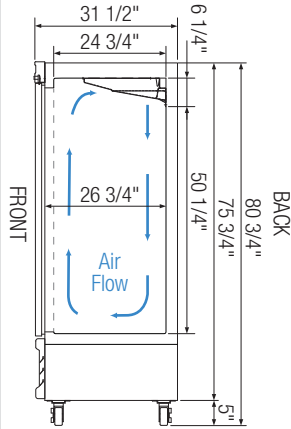


The vacuum relief valve equalizes cabinet pressure for rapid door re-entry.



Equipped with 9 ft long NEMA 5-15P plug. (except model EBF3)

Side View



Model	Ref/ Frz/ Dual	# of Doors	Capacity (Cu.Ft.)	HP	BTU/HR	Refrigerant	# of Shelves	Power (V-Hz-Ph)	Amps	Crated Weight (LBS)	Exterior Dimensions (Inches)			Interior Dimensions (Inches)		
											L	D	H*	L	D	H
EBF1	Frz	1	20	1/2	3,435	R-404A	3	115-60-1	7.59	307	27	31 1/2	75 3/4	21 7/8	26 3/4	56 1/2
EBWF1	Frz	1	22	1/2	3,435	R-404A	3	115-60-1	7.59	317	29 1/4	31 1/2	75 3/4	24	26 3/4	56 1/2
EBWFH2	Frz	2(H)	22	1/2	3,435	R-404A	3	115-60-1	7.59	322	29 1/4	31 1/2	75 3/4	24	26 3/4	56 1/2
EBNF2	Frz	2	33	1	6,197	R-404A	6	115-60-1	7.94	408	39 3/8	31 1/2	75 3/4	34 1/4	26 3/4	56 1/2
EBSF2	Frz	2	36	1	6,197	R-404A	6	115-60-1	7.95	TBA	49 5/8	31 1/2	75 3/4	44 1/2	26 3/4	56 1/2
EBF2	Frz	2	50	1	6,197	R-404A	6	115-60-1	7.95	533	54 1/8	31 1/2	75 3/4	49	26 3/4	56 1/2
EBF3	Frz	3	70	1/2 x 2	3,435 x 2	R-404A	9	230-60-1	10.98	670	74 3/4	31 1/2	75 3/4	69 3/4	26 3/4	56 1/2

*: Height does not include 5" for casters.

†: Based on evaporating temperature of 14°F (-10°C) & condensing temperature of 131°F (55°C).

Frz = Freezer | (H) = Half Door

Specifications subject to change without notice.

Product dimensions are for general purposes and not absolute value. Product capacity(▶) is calculated based on standard industry figures. Slight variations may exist. If dimensions and capacity are critical, please contact Everest Refrigeration.



Please visit our website for updated Energy Efficiency information.