

**S T E A M****VULCAN****VSKTEC  
STAND FOR COUNTER  
BRAISING PANS & KETTLES**

Model VSKTEC

**SPECIFICATIONS**

Counter steam equipment stand, Vulcan-Hart Model VSKTEC. Stainless steel frame, flanged feet on the front and rear. Complete with mounting hardware for Vulcan counter braising pans and kettles.

**Exterior Dimensions:**

29.5"w x 24"d x 18"h mounting height.

NSF listed.

- VSKTEC** 29.5" wide, stand for K6ETT & K12ETT self-contained kettles & VECTS12 & VECTS16 electric braising pans

**STANDARD FEATURES**

- Stainless steel frame, flanged feet on front and rear.
- Complete with mounting hardware for Vulcan counter braising pans and kettles.
- One year limited parts and labor warranty.

**OPTIONS**

- Direct kettle adapter for K6TTD and K12TTD direct steam kettles.

Find this product at:

**Central**<sup>®</sup>  
**RESTAURANT PRODUCTS**

**1-866-285-1252**

**VULCAN**

a division of ITW Food Equipment Group LLC

P.O. Box 696 ■ Louisville, KY 40201 ■ Toll-free: 1-800-814-2028 ■ Local: 502-778-2791 ■ Quote & Order Fax: 1-800-444-0602

**S T E A M****VULCAN****VSKTEC  
STAND FOR COUNTER  
BRAISING PANS & KETTLES**

Model VSKTEC



- VSKTEC** 29.5" wide, stand for K6ETT & K12ETT self-contained kettles & VECTS12 & VECTS16 electric braising pans

**STANDARD FEATURES**

- Stainless steel frame, flanged feet on front and rear.
- Complete with mounting hardware for Vulcan counter braising pans and kettles.
- One year limited parts and labor warranty.

**OPTIONS**

- Direct kettle adapter for K6TTD and K12TTD direct steam kettles.

**SPECIFICATIONS**

Counter steam equipment stand, Vulcan-Hart Model VSKTEC. Stainless steel frame, flanged feet on the front and rear. Complete with mounting hardware for Vulcan counter braising pans and kettles.

**Exterior Dimensions:**

29.5"w x 24"d x 18"h mounting height.

NSF listed.

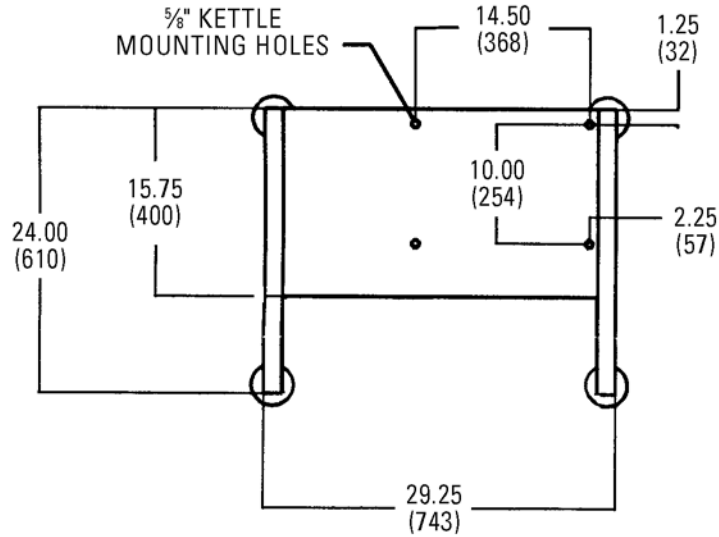
**VULCAN**

a division of ITW Food Equipment Group LLC

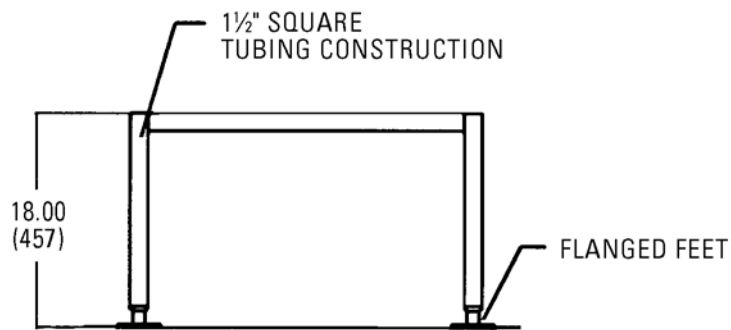
P.O. Box 696 ■ Louisville, KY 40201 ■ Toll-free: 1-800-814-2028 ■ Local: 502-778-2791 ■ Quote & Order Fax: 1-800-444-0602



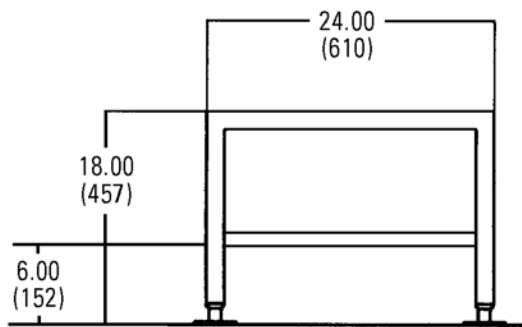
**VSKTEC**  
**STAND FOR COUNTER**  
**BRAISING PANS & KETTLES**



TOP VIEW



FRONT VIEW



SIDE VIEW



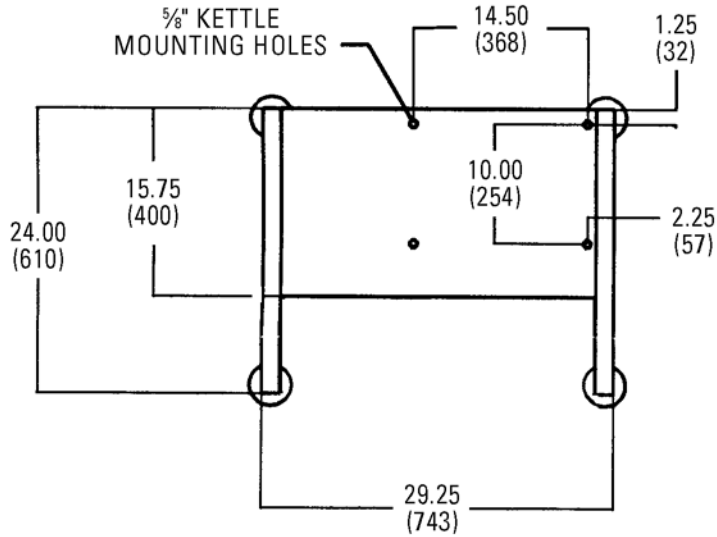
a division of ITW Food Equipment Group LLC

P.O. Box 696 ■ Louisville, KY 40201 ■ Toll-free: 1-800-814-2028 ■ Local: 502-778-2791 ■ Quote & Order Fax: 1-800-444-0602

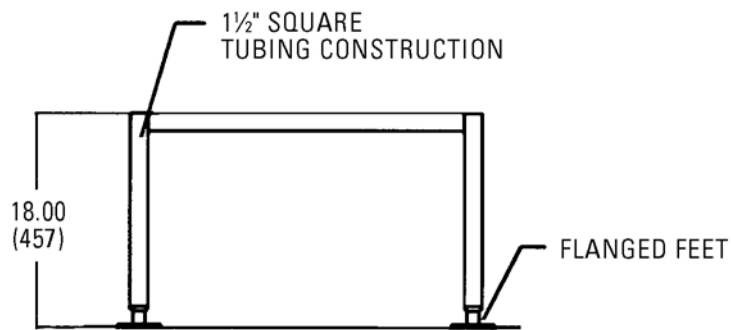
**NOTE:** In line with its policy to continually improve its products, Vulcan reserves the right to change materials and specifications without notice.



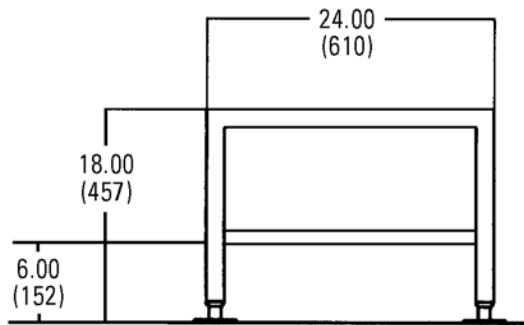
**VSKTEC**  
**STAND FOR COUNTER**  
**BRAISING PANS & KETTLES**



TOP VIEW



FRONT VIEW



SIDE VIEW



a division of ITW Food Equipment Group LLC

P.O. Box 696 ■ Louisville, KY 40201 ■ Toll-free: 1-800-814-2028 ■ Local: 502-778-2791 ■ Quote & Order Fax: 1-800-444-0602

**NOTE:** In line with its policy to continually improve its products, Vulcan reserves the right to change materials and specifications without notice.