

RESTAURANT RANGES

CHALLENGER XL GAS RESTAURANT RANGE

6 OPEN BURNERS / 24" GRIDDLE-BROILER 60" WIDE GAS RANGE



Model C60-SS-6B-24GB-N
(Shown with optional casters)


SPECIFICATIONS

60" wide gas restaurant range, Wolf Model No. C60-SS-6B-24GB-N. Fully MIG welded aluminized steel frame for added durability. Stainless steel front, sides, backriser, high shelf and 6" adjustable legs. Extra deep crumb tray with welded corners. Six 30,000 BTU/hr. open top burners with lift-off burner heads. Energy saving flashtube open burner ignition system (one pilot for every two burners) shrouded for reliability. 24" manual griddle-broiler, 30,000 BTU/hr., 4 inch wide grease trough Heavy duty cast grates, easy lift-off 12" x 12 1/2" in the front and 12" x 14 1/2" in the back to better accommodate stock pots or large pans. Grates have a built in aeration bowl for greater efficiency. Burner knobs are cool to the touch, high temperature material. Two ovens: each oven is 25,000 BTU/hr. bakers depth ovens with porcelain oven bottom and door panel, measures 26 1/4"d x 20 1/4"w x 14"h. Oven thermostat adjusts from 250°F to 500°F with a low setting. Each oven is supplied with two racks, two rack guide sets, and four rack positions. Oven doors are heavy duty with an integrated door hinge/spring mechanism requiring no adjustment. 1" rear gas connection and pressure regulator. Total input 260,000 BTU/hr.

Exterior Dimensions:

34 3/4"d x 60"w x 58"h on 6" adjustable legs

- C60-SS-6B-24GB-N** 2 Standard Ovens / Natural Gas
- C60-SS-6B-24GB-P** 2 Standard Ovens / Propane
- C60-SC-6B-24GB-N** 1 Standard Oven / 1 Convection Oven / Natural Gas
- C60-SC-6B-24GB-P** 1 Standard Oven / 1 Convection Oven / Propane
- C60-CC-6B-24GB-N** 2 Convection Ovens / Natural Gas
- C60-CC-6B-24GB-P** 2 Convection Ovens / Propane

STANDARD FEATURES

- Fully MIG welded frame
- Stainless steel front, sides, backriser, lift-off high shelf
- 6" stainless steel adjustable legs
- Six open top burners, each burner is 30,000 BTU/hr. with lift-off burner heads
- 24" manual griddle-broiler, 30,000 BTU/hr., 4 inch wide grease trough
- Shrouded flash tube pilot system (one pilot per two burners)
- Heavy duty cast grates, easy lift-off 12" x 12 1/2" in front and 12" x 14 1/2" in the rear
- Extra deep pull out crumb tray with welded corners
- 25,000 BTU/hr. baker's depth oven cavity, full size sheet pans (18" x 26") fit front-to-back
- Oven thermostat adjusts from 250°F to 500°F
- Heavy duty cool touch oven door handles
- Two oven racks and four rack positions for each oven
- 25,000 BTU/hr. convection oven in place of standard oven 26 1/4"d x 20 1/4"w x 13 7/8"h (115v - 1 phase blower motor 4 amp, 6' cord and plug), includes three oven racks, full size sheet pans fit front-to-back
- 1" rear gas connection and pressure regulator
- One year limited parts and labor warranty

ACCESSORIES (Packaged & Sold Separately)

- Extra oven rack with rack guides
- Casters (set of four)
- Flanged feet (set of four)
- 10" stainless steel stub back
- Reinforced high shelf for mounting salamander broiler

Find this product at: **Central**
RESTAURANT PRODUCTS

1-866-285-1252



a division of ITW Food Equipment Group LLC

P.O. Box 696 ■ Louisville, KY 40201 ■ Toll-free: 1-800-814-2028 ■ Local: 502-778-2791 ■ Quote & Order Fax: 1-800-444-0602

CHALLENGER XL GAS RESTAURANT RANGE

6 OPEN BURNERS / 24" GRIDDLE-BROILER

60" WIDE GAS RANGE

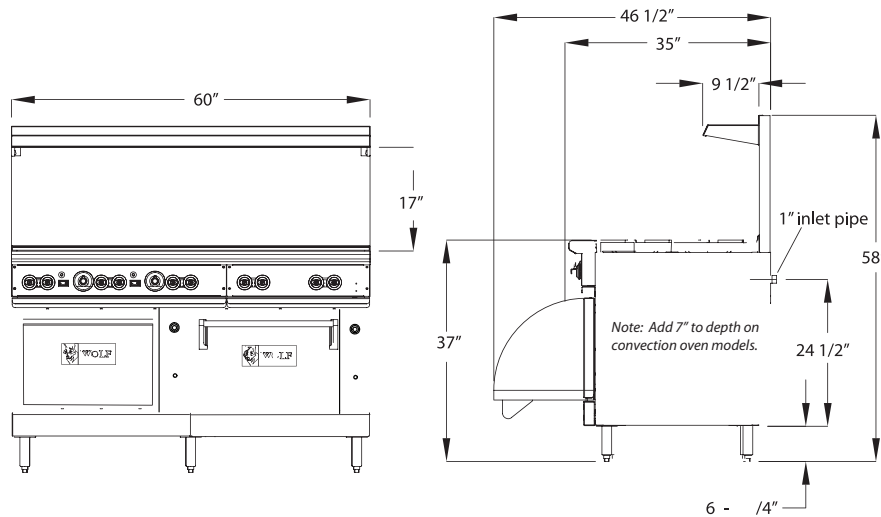
INSTALLATION INSTRUCTIONS

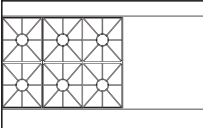
1. A pressure regulator sized for this unit is included. Natural gas 5.0" W.C., propane gas 10.0" W.C.
2. Gas line connecting to range must be 1" or larger. If flexible connectors are used, the inside diameter must be 1" or larger.
3. An adequate ventilation system is required for commercial cooking equipment. Information may be obtained by writing to the National Fire Protection Association, 1 Batterymarch Park, Quincy, MA 02269, www.NFPA.org. When writing, refer to NFPA No. 96.
4. These units are manufactured for installation in accordance with ANSZ223.1A (latest edition), National Fuel Gas Code. Copies may be obtained from The American Gas Association, 400 N Capitol St. NW, Washington, DC 20001, www.AGA.org.

- | | | |
|---------------------------------|-------------|--------------|
| 5. <u>Clearances</u> | <u>Rear</u> | <u>Sides</u> |
| Combustible | 6" | 10" |
| Standard Oven Non-combustible | 0" | 0" |
| Convection Oven Non-combustible | Min. 4" | 0" |
6. For proper combustion, install equipment on adjustable legs or casters provided with unit.
 7. For proper combustion, install equipment on adjustable legs or casters provided with unit.

NOTE: In line with its policy to continually improve its product, Wolf Range Company reserves the right to change materials and specifications without notice.

Specify type of gas when ordering. Specify altitude when above 2,000 feet.



TOP CONFIGURATION	MODEL NUMBER	DESCRIPTION	TOTAL INPUT BTU / HR	SHIPPING WEIGHT LBS / KG
	C60-SS-6B-24GB-N	2 Standard Ovens / 6 Burners / 24" Griddle-Broiler / Natural Gas	260,000	1,025 / 465
	C60-SS-6B-24GB-P	2 Standard Ovens / 6 Burners / 24" Griddle-Broiler / Propane	260,000	1,025 / 465
	C60-SC-6B-24GB-N	1 Standard Oven / 1 Convection Oven / 6 Burners / 24" Griddle-Broiler / Natural Gas	260,000	1,045 / 492
	C60-SC-6B-24GB-P	1 Standard Oven / 1 Convection Oven / 6 Burners / 24" Griddle-Broiler / Propane	260,000	1,045 / 492
	C60-CC-6B-24GB-N	2 Convection Ovens / 6 Burners / 24" Griddle-Broiler / Natural Gas	260,000	1,045 / 492
	C60-CC-6B-24GB-P	2 Convection Ovens / 6 Burners / 24" Griddle-Broiler / Propane	260,000	1,045 / 492

This appliance is manufactured for commercial use only and is not intended for home use.