

S T E A M

VULCAN**SCALEBLOCKER™
WATER FILTER SYSTEM****Model SMF600****SPECIFICATIONS**

Water filter system, Vulcan Model No. SMF_____. Single quick connect cartridge design. Patented technology reduces lime scale, chlorine, and chloramines without chemicals or additives. Reduces the need of frequent deliming. Modular mounting bracket and head assembly with ¼ turn quick connect cartridge. Shutoff valve and connection for treated water for generator and untreated for cold water condensate. Filter water test port with shut off valve. Incoming water parameters are 40-125 PSI, 45-100°F, PH 6-9, alkalinity 80-100 PPM, chlorine/chloramines 0-4 PPM. chlorides 0-30 PPM, hardness 0-300 PPM (0 to 17.5 grains). Water connections are ¾" NPTM with ¾" Male GHT.

Exterior Dimensions:**SMF600:** 15½"w x 9½"d x 18½"h**SMF620:** 15½"w x 9½"d x 29½"h

NSF tested and certified.

Not to exceed 120°F.

- SMF600** Water Filter System
- SMF620** Water Filter System

STANDARD FEATURES

- Single cartridge design
- ¼ turn cartridge quick disconnect and connect for easy changes, no wrench required
- Category 3 recyclable cartridge
- Nano crystal scale reduction reduces the need for deliming
- Hollow carbon for chlorine/chloramines removal
- Modular mounting bracket and head assembly
- Quick connect inlet and outlet assemblies for reversing flow or adding optional pre-filter.
- Shut off valve and pressure gauge standard
- Connections are ¾-inch NPTF with ¾-inch Male GHT adaptors installed (male garden hose thread)
- Filtered water test valve
- Unfiltered water connection for cold water condensate with cap if not used
- Free filter maintenance reminders when system is registered with Vulcan
- Treats water up to 300 PPM (17.5 grains), hardness
- Removes up to 4 PPM chlorine/chloramines

ACCESSORIES (Packaged & Sold Separately)

- Preventive maintenance kit
- Stainless steel flex water connection hose 72", ⅝" Female GHT, (garden hose thread), each end.

VULCAN

a division of ITW Food Equipment Group LLC

P.O. Box 696 ■ Louisville, KY 40201 ■ Toll-free: 1-800-814-2028 ■ Local: 502-778-2791 ■ Quote & Order Fax: 1-800-444-0602



**SCALEBLOCKER™
WATER FILTER SYSTEM**

NOTES:

- Dimensions which locate the below connections have a tolerance of + or - 3" (+ or - 77mm).
- Installation of backflow preventers, vacuum breakers, other code requirements and local code compliance is the responsibility of the owner and installer.
- Filter clearance needed for access:
Front 13"
Bottom 4"
- This appliance is manufactured for commercial installation only and not intended for home use.

SMF600

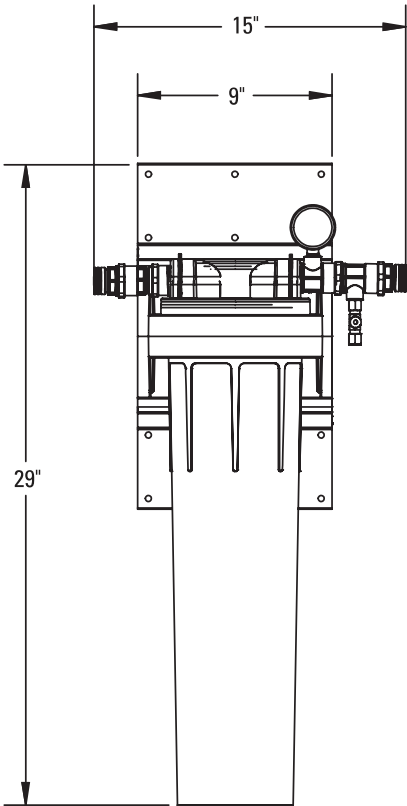
Service Flow	0-2 GPM
Service Life	7,500 Gal
Inlet / Outlet	3/4" NPTF inlet and 3/4" Male GHT (3/4" NPTF adapter) outlet
Inlet Min / Max Pressure	40-125 PSIG
Min / Max Temperature	45-100F (7-37C)
Weight, Operating	21 Lbs. (9.5 kg)

SMF620

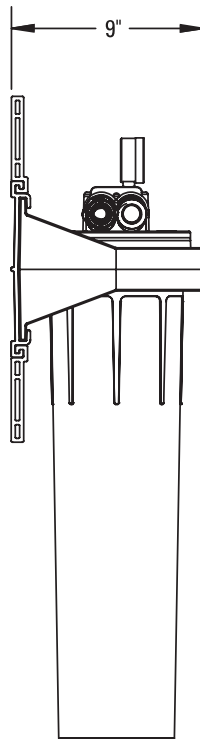
Service Flow	0-4 GPM
Service Life	12,000 Gal
Inlet / Outlet	3/4" NPTF inlet and 3/4" Male GHT (3/4" NPTF adapter) outlet
Inlet Min / Max Pressure	40-125 PSIG
Min / Max Temperature	45-100F (7-37C)
Weight, Operating	32 Lbs. (15.5 kg)

WATER QUALITY STATEMENT:

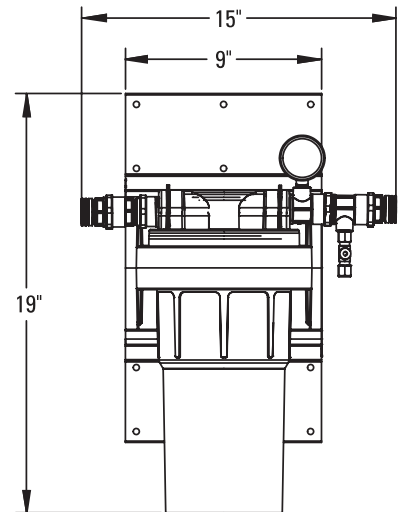
Water from ScaleBlocker™ System should only be connected to the boiler / generator feed and not the condenser connection of the steamer. Systems are not to be used where water is microbiologically unsafe or with water of unknown quality without adequate disinfections before and after use. Connecting to a municipal water supply complies with this requirement.



SMF620-SYSTEM



TYPICAL SIDE VIEW



SMF600-SYSTEM



a division of ITW Food Equipment Group LLC

P.O. Box 696 ■ Louisville, KY 40201 ■ Toll-free: 1-800-814-2028 ■ Local: 502-778-2791 ■ Quote & Order Fax: 1-800-444-0602

NOTE: In line with its policy to continually improve its products, Vulcan reserves the right to change materials and specifications without notice.