

JOB:  
ITEM:  
QTY:

# WALL SHELVES - SOLID

## APPLICATION:

These shelves are ideal for maximizing storage and organization above sinks, stoves, tables, etc... Designed with solid strip brackets that allow you infinite installation capabilities.

## MATERIAL:

The Regular 18 GA wall shelves are constructed out of .040" aluminum sheet. The Heavy-Duty 12 GA wall shelves are constructed out of .080" aluminum sheet.

## GUARANTEE:

These wall shelves carry a **Lifetime Guarantee** against rust and corrosion and also carry a **Five-Year Guarantee** against workmanship and material defects.



**Solid Wall Shelf**

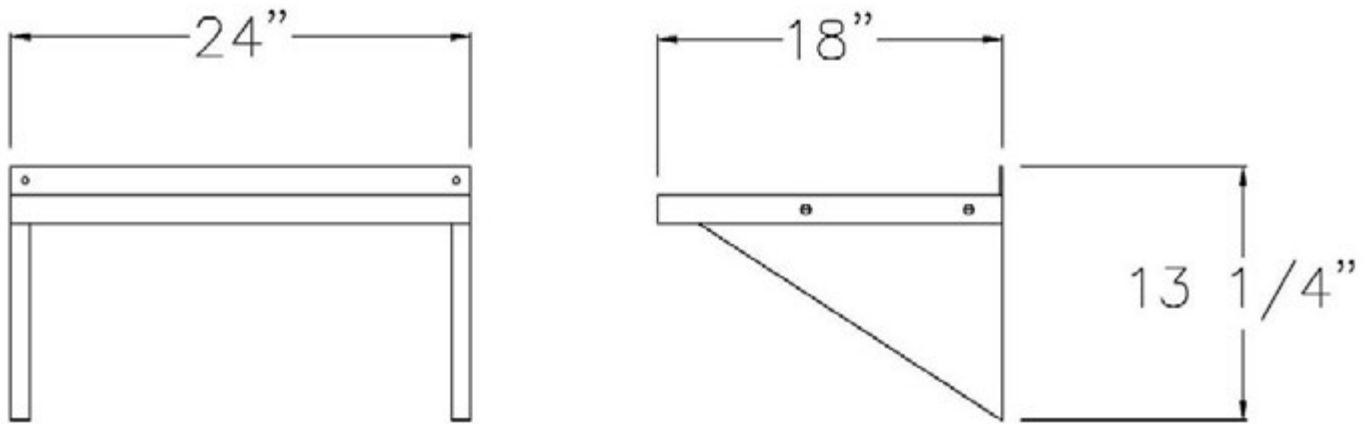


**Microwave Shelf**



Phone:800-255-0104  
Fax: 877-877-7687  
[www.newageindustrial.com](http://www.newageindustrial.com)  
[sales@newageindustrial.com](mailto:sales@newageindustrial.com)

New Age Industrial reserves the right to modify or make changes at any time without notice to materials and specifications.



**Model #95634**

Model No.	Size-D	Size-L	Wt. Cap.
<b>Solid Wall Shelves-Regular 18 GA</b>			
NS675	12"	24"	200
1125	12"	36"	150
1126	12"	48"	125
1127	12"	60"	100

Model No.	Size-D	Size-L	Wt. Cap.
<b>Solid Wall Shelves-Heavy-Duty 12 GA</b>			
NS675A	12"	24"	300
1125A	12"	36"	300
1126A	12"	48"	225
1127A	12"	60"	150
NS753	15"	24"	300
NS943	15"	36"	300
NS793	15"	48"	225
94249	15"	60"	150
95634	18"	24"	300
92093	18"	36"	300
92094	18"	48"	225
94136	18"	60"	150



Phone: 800-255-0104  
 Fax: 877-877-7687  
[www.newageindustrial.com](http://www.newageindustrial.com)  
[sales@newageindustrial.com](mailto:sales@newageindustrial.com)

New Age Industrial reserves the right to modify or make changes at any time without notice to materials and specifications.