



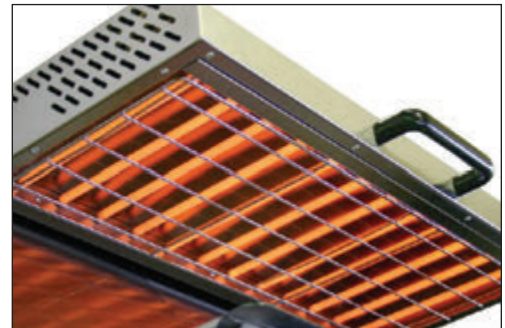
FINISHING OVEN

CONCEPT

*Perfect way to finish or broil...
with precision and control*

- Electric finishing ovens with Quartz or Vitroceramic heating element
- Models with adjustable movable top or fixed top and adjustable tray
- Pull-out bottom tray with wire rack
- Full or partial power for ideal finishing
- Free-standing or wall-mounted (kit optional)
- Stainless steel construction
- Infrared cooking enables operator to melt, brown, roast or glaze meat, fish, soups and desserts
- Not to be installed over open flame

Quartz



Vitroceramic



PRECISION

SEM-60/80

208/240V



FEATURES:

- movable top
- Quartz heating elements
 - 8(SEM-60); 12(SEM-80)
- Vitroceramic heating zones
 - 2(SEM-60); 3(SEM-80)

IMPERIAL

SEF-80

208/240V



FEATURES:

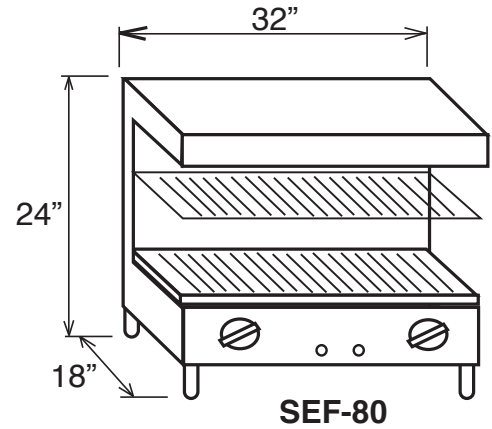
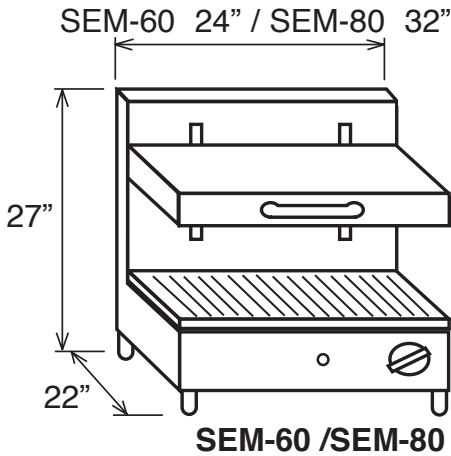
- adjustable intermediate wire shelf
- 8 Quartz heating elements
- 2 zone heat control



765 WESTMINSTER STREET PROVIDENCE, RI 02903
TEL: (401)273-3300 FAX: (401)273-3328 E-mail: sales@equipex.com
www.equipex.com

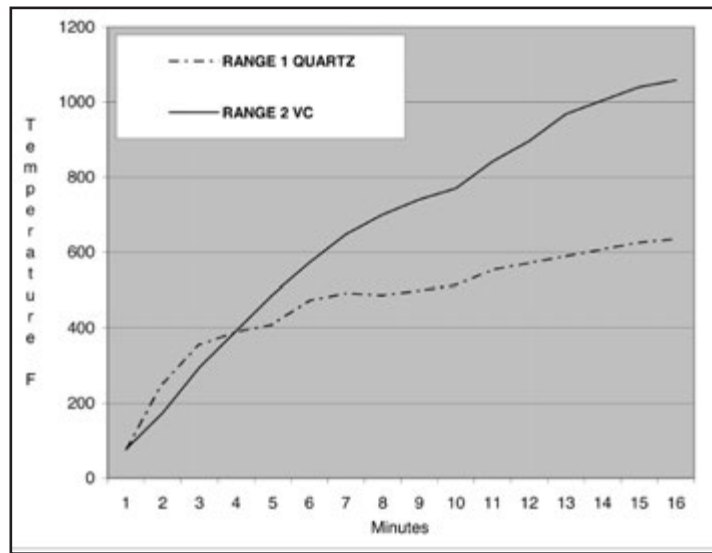


FINISHING OVENS



Minutes	Range 1 Quartz °F	Range 2 Vitro Ceramic °F
0	77	77
1	253	174
2	356	295
3	390	392
4	410	489
5	473	572
6	493	648
7	487	700
8	500	740
9	513	770
10	554	842
11	572	896
12	590	968
13	608	1004
14	626	1040
15	635	1058

Note: Temperature recorded on plate shelf with movable top in the lowest position



SPECIFICATIONS

INSTALLATION CLEARANCE: 4" EACH SIDE

MODEL	ELECTRICAL	DIMENSIONS W x D x H	WORK SURFACE W X D	SHIPPING WEIGHT lbs.	NEMA PLUG
SEM-60Q	208/240V, 1PH 2.8KW, 12/14 Amps	24" x 22" x 27" (includes 4" legs)	24" x 15"	165	6-20P
SEM-60VC	208/240V, 1PH 3.0KW, 13/15 Amps	24" x 22" x 27" (includes 4" legs)	24" x 15"	165	6-20P
SEM-80Q	208/240V, 1PH 3.9KW, 17/19 Amps ----- 208/240V, 3PH 3.9KW, 16/18 Amps	32" x 22" x 27" (includes 4" legs)	32" x 15"	178	6-30P ----- Cord only
SEM-80VC	208/240V, 1PH 4.5KW, 19/22 Amps ----- 208/240V, 3PH 4.5KW, 18/20 Amps	32" x 22" x 27" (includes 4" legs)	32" x 15"	178	6-30P ----- Cord Only
SEF-80Q	208/240V, 3PH 5KW, 13/15 Amps	32" x 18" x 24" (includes 4" legs)	32" x 14"	80	Cord Only

WARRANTY: Limited one year parts and labor



765 WESTMINSTER STREET PROVIDENCE, RI 02903
 TEL: (401)273-3300 FAX: (401)273-3328 E-mail: sales@equipex.com
 www.equipex.com

Central Restaurant Products