

KRATOS

High Performance Bulb Warmers

Instruction Manual



Read And Save This Instruction Manual

Models	
31M-001	1 Bulb Warmer Silver 120V, 250W
31M-002	1 Bulb Warmer Black 120V, 250W
31M-003	2 Bulb Warmer Silver 120V, 500W
31M-004	2 Bulb Warmer Black 120V, 500W
31M-005	3 Bulb Warmer Silver 120V, 750W

Important Safeguard

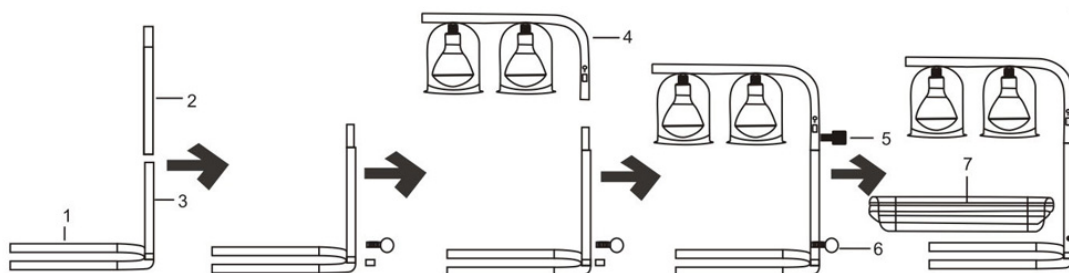
When using electrical appliances, basic safety precautions should always be followed:

1. Read all instructions.
2. To protect against risk of electrical shock, do not put switch or plug in water or any other liquid.
3. Children should be supervised in order to make sure they do not hurt themselves.
4. Before taking off parts or cleaning the appliance, unplug the power cord from the wall outlet so the appliance is not in use.
5. Keep hot lamp shade and bulb separate.
6. Do not operate any appliance with a damaged cord, plug, or after the appliance malfunctions/damaged.
7. If needed, call authorized service facility for possible examination, replacement, electrical adjustment or repair.
8. Connecting type of power soft cord is "Y". If the power cord is damaged, have it changed by a profession.
9. Do not let the power cord hang over edge of table, counter, or touch hot surfaces.
10. Never clean the heat lamp with wet material while appliance is on.
11. For operation use, this product must be placed on a flat table/counter.
12. Handle with care during the transportation of this product.
13. Do not use outdoors.

Assembly Instructions

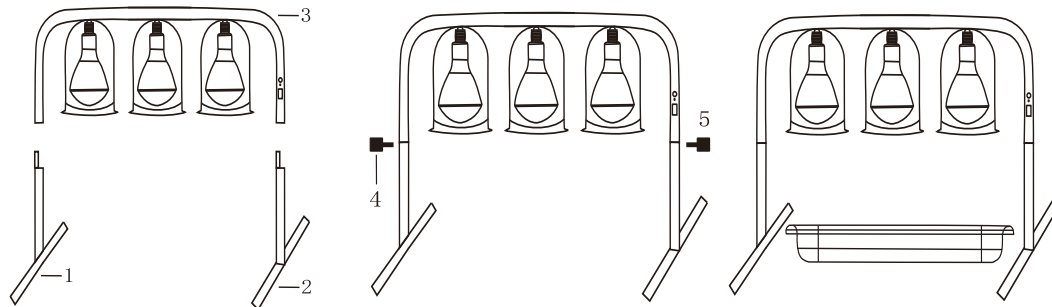
1 & 2 Bulb Warmer:

1. Put the lamp base (1) on flat level surface.
2. Insert the middle lamp frame (2) into the aluminum tube (3) of the base frame.
3. Insert the upper lamp frame (4) into the middle frame and fix them by screw (5).
4. Adjust the total height of the warmer and tighten in place by screwing the thread nut (6).
5. Put on the food tray (7) in place.
6. Plug the power cord and turn on the switch. Check the bulb to make sure the appliance is ready for use.



3 Bulb Warmer:

1. Insert the middle lamp frame (3) into the aluminum tube (1, 2) of the base frame. Fix them by screw (4, 5).
2. Plug the power cord and turn on the switch to check the bulb. Appliance is ready for use.



Operation Instructions

1. Put the food into the heat preservation tray.
2. Plug in the power cord and turn on the switch.
3. Adjust the height of the frame for reasonable temperature of the food.

Features

- Aluminum reflector with ventilation holes
- Stainless steel food tray
- The tray warms within minutes
- Durable infrared bulb

Maintenance

If the bulb fails to work:

1. Check whether the power plug is properly connected, and the switch is turned On.
2. Check whether the bulb is burned.

CAUTION: Unplug before removing/inserting bulb to avoid electrical shock.

How to clean

1. Unplug the power cord.
2. Clean the food tray by water or detergent.
3. When cleaning other parts (except lamp shade), spray water or detergent then dry.
4. Clean the lamp shade by dry cloth. Wait until lamp shade cools down.

Attention:

- In order to prevent erosion, never put the lamp shade and switch part into water or close to any liquid.
- Clean by dry cloth. The item will be erosive if it is close to liquid.

Tips

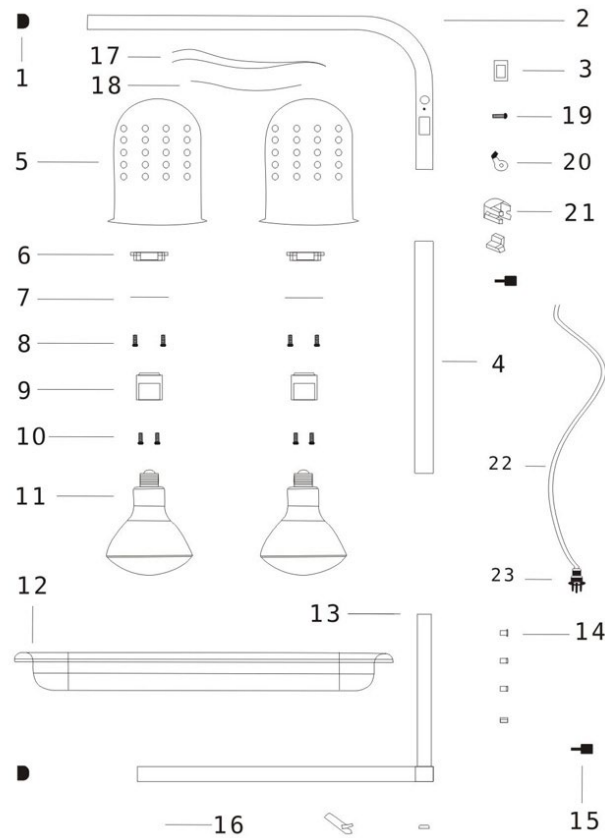
- Ensure the entire appliance is dry before storage.
- It is always a good idea to wipe the frame and wash the food tray as soon

as soon as possible after use to avoid hardening and drying of the food or liquid items. It makes it much harder to clean.

Specification

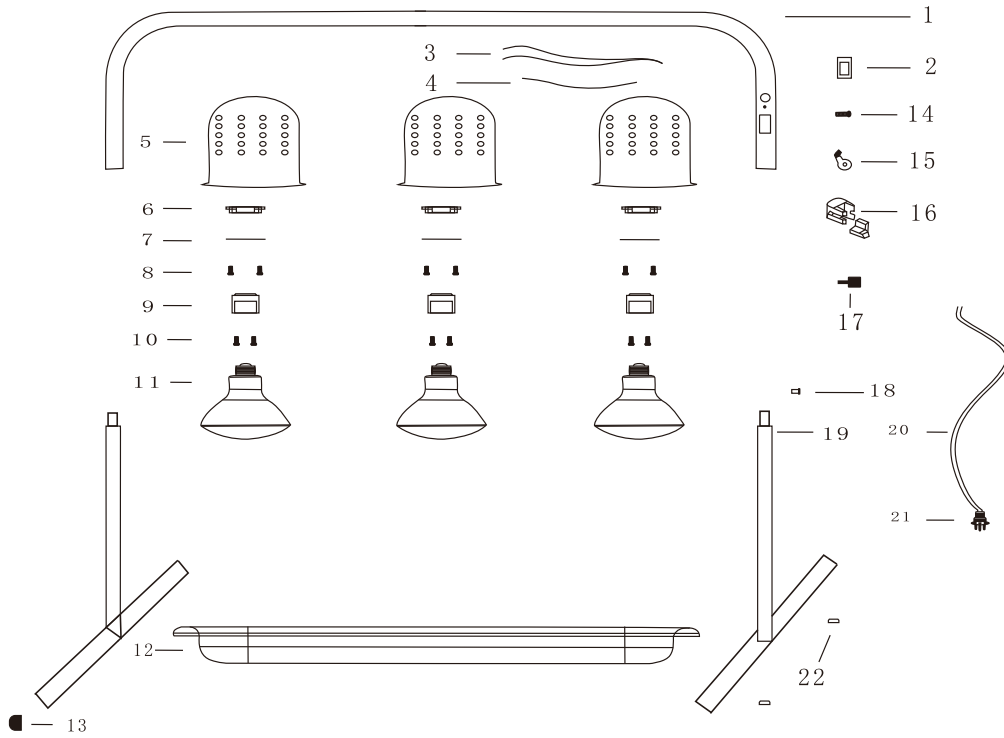
Model	31M-001 / 31M-002	31M-003 / 31M-004	31M-005
Voltage/Frequency	120V~60Hz	120V~60Hz	120V~60Hz
Power	1x250W Max	2x500W Max	3x750W Max
Weight	6.5 lbs.	12 lbs.	16.5 lbs.
Cord Length	3 ft.	3 ft.	
Dimension	14x14x25 in.	14x19.5x23.25 in.	13x32x24 in.

Explosive drawing (31M-001/002/003/004)



1. Plastic plug	13. Base tube
2. Upper frame	14. Nut
3. Switch	15. Thumb screw
4. Middle frame	16. Plastic
5. Lamp shade	17. Internal wire
6. Insulation board	18. Heat shrinkable tube
7. Insulation paper	19. M4 screw
8. M5 screw	20. Earthing ear
9. Lamp socket	21. Cord grip
10. M3 screw	22. Power coed
11. Bulb	23. Plug
12. Food tray	

Explosive drawing (31M-005)



1. Upper frame	12. Food tray
2. Switch	13. Plastic pad
3. Internal wire	14. M4 screw
4. Heat shrinkable tube	15. Earthing ear
5. Lamp shade	16. Cord Grip
6. Insulation board	17. M5 Thumb screw
7. Insulation paper	18. Nut
8. M5 screw	19. Base tube
9. Lamp socket	20. Power cord
10. M3 screw	21. Plug
11. Bulb	22. Plastic pad



6 month Equipment Limited Warranty

Kratos offers a 6 month warranty to the original purchaser of new equipment, the model of equipment will be free of defects in material and workmanship for a period of 6 months from the date of delivery. Warranty is not transferrable. Kratos, at its own discretion, will provide replacement components, replace the entire unit or refund the purchase price to satisfy the warranty obligation. Kratos makes no other warranties, express or implied, statutory or otherwise, and hereby disclaims all implied warranties, including the implied warranties of merchantability and of fitness for a particular purpose.

The limited warranty does not cover:

- Failure to install and/or use equipment within proper operating conditions as specified by Kratos.
- For commercial use only, residential use voids warranty.
- Outdoor use will void the warranty. The finish is not guaranteed in mobile applications where the table can be damaged due to not being secured to the floor.
- Products that have been modified, abused, or misused. Any products that have been exposed to corrosive or other cleaners not intended for use on stainless steel will void the warranty.
- Any products sold outside the contiguous United States.
- Any products where the original sale cannot be determined. No order #, invoice or receipt to provide proof of purchase will result in no warranty coverage.
- Labor or service not authorized by Kratos is not covered under this warranty.
- Freight damage must be made at time of delivery and addressed with the carrier for compensation.
- Kratos will not be liable for any parties that experience loss of product, consequential damage, lost business, or any other expenses.
- Defects or damage due to improper maintenance, wear and tear, abuse, misuse, vandalism, or Act of God

For Warranty Inquiries To obtain warranty information or make a claim against this warranty, please contact the location where you purchased the product. If purchased on www.centralrestaurant.com, call 800-215-9293 or email sales@centralrestaurant.com

Central Products LLC
7750 Georgetown Road
Indianapolis, IN 46268 USA