



PROJECT NAME: _____

LOCATION: _____

ITEM #: _____ QTY: _____

MODEL: _____

FLOOR FRYERS



29Y-011



29Y-010



29Y-012

All models ship ready to use!

FEATURES

- HEAVY DUTY STAINLESS STEEL CONSTRUCTION
- SHIPS READY TO USE WITH NATURAL GAS OR LIQUID PROPANE
- INCLUDES 2 CHROME-PLATED FRYER BASKETS WITH PLASTIC COATED HAND GRIPS
- THERMOSTATIC CONTROLS ADJUSTABLE FROM 200-400F
- CONVENIENT BASKET HANGER RAILS TO ALLOW EXCESS OIL TO DRAIN
- ALL STAINLESS STEEL TANK
- 6" ADJUSTABLE HEIGHT LEGS
- 3/4" GAS INLET SIZE
- MILLIVOLT CONTROLS
- 1 YEAR WARRANTY
- ETL, ETL SANITATION CERTIFIED

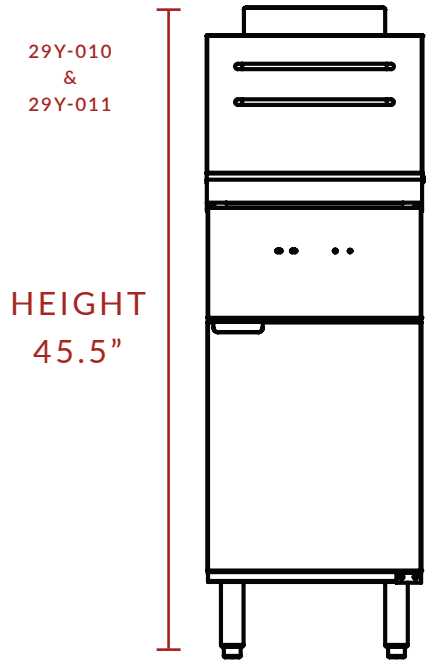
SPECIFICATIONS

ITEM	WIDTH	DEPTH	HEIGHT	BURNERS	BTU	GAS TYPE	FRYPOT W x D	LB TANK
29Y-010-NAT	15.5"	30.5"	45.5"	3	90,000	NATURAL GAS	14 x 13 3/4"	40
29Y-010-LP	15.5"	30.5"	45.5"	3	90,000	LIQUID PROPANE	14 x 13 3/4"	40
29Y-011-NAT	15.5"	30.5"	45.5"	4	120,000	NATURAL GAS	14 x 13 3/4"	50
29Y-011-LP	15.5"	30.5"	45.5"	4	120,000	LIQUID PROPANE	14 x 13 3/4"	50
29Y-012-NAT	21"	34.3"	45.5"	5	150,000	NATURAL GAS	19 1/2" x 18"	70-100
29Y-012-LP	21"	34.3"	45.5"	5	150,000	LIQUID PROPANE	19 1/2" x 18"	70-100

FLOOR FRYERS

FRONT

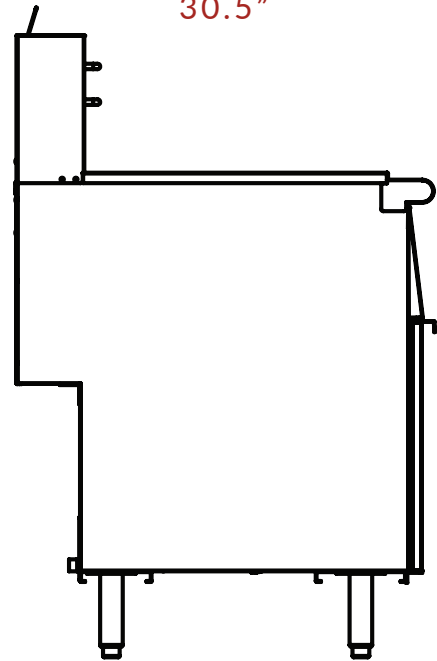
WIDTH 15.5"



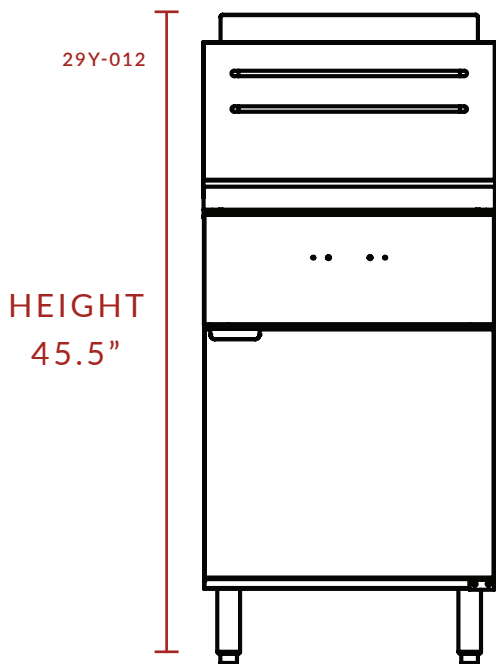
SIDE

FRONT TO BACK DEPTH

30.5"



WIDTH 21"



FRONT TO BACK DEPTH

34.3"

