



PROJECT NAME: \_\_\_\_\_

LOCATION: \_\_\_\_\_

ITEM#: \_\_\_\_\_ QTY: \_\_\_\_\_

MODEL: \_\_\_\_\_

## 16-gauge, 304 Stainless Steel Compartment Sinks



29N-060

29N-047

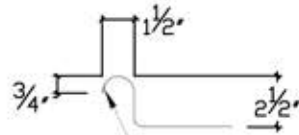
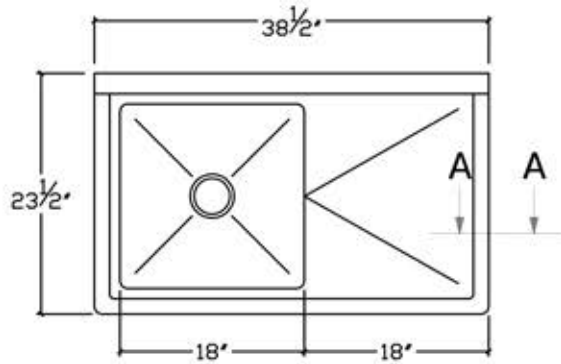
### Features:



- 16-gauge, Type 304 Stainless Steel Tabletops
- Sturdy Galvanized Steel Legs with Bullet Feet
- Rolled edges and Backsplash keep water off the floor
- 1.5" IPS Drain Connection & 3.5" Basket Strainer
- Faucets sold separately

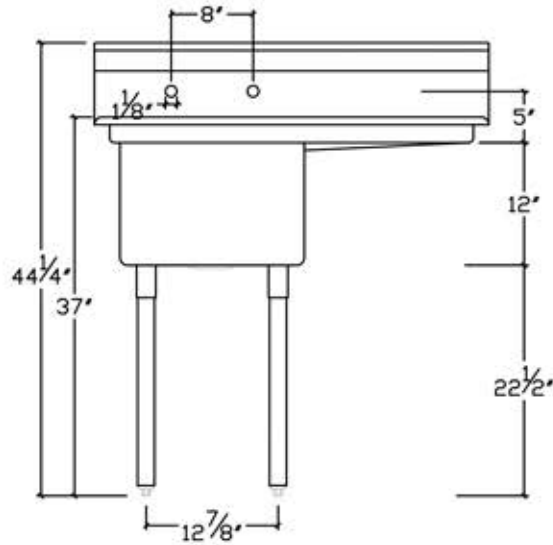
### Specifications:

Item#	Bowls	(L)	(W)	(H)	Work Surface	Backsplash	Drainboards	DB Length	Bowl Dims		
									L→R	Front→Back	D
29N-045	1	22"	28.5"	44.25"	34.5"	10"	-	-	16"	20"	12"
29N-046	1	28"	29"	44.25"	34.5"	10"	-	-	23"	23"	12"
29N-008-LT	1	40"	23.5"	45.5"	34.5"	10"	L	18"	18"	18"	12"
29N-008-RT	1	40"	23.5"	45.5"	34.5"	10"	R	18"	18"	18"	12"
29N-047	1	49"	28.5"	44.25"	34.5"	10"	L	24"	23"	23"	12"
29N-048	1	49"	28.5"	44.25"	34.5"	10"	R	24"	23"	23"	12"
29N-049	1	71"	28.5"	44.25"	34.5"	10"	L & R	24"	23"	23"	12"
29N-050	2	27"	19.5"	44.25"	34.5"	10"	-	-	10"	14"	12"
29N-053	3	35"	19.5"	44.25"	34.5"	10"	-	-	10"	14"	12"
29N-054	3	56"	22.5"	44.25"	34.5"	10"	-	-	17"	17"	12"
29N-057	3	71"	22.5"	44.25"	34.5"	10"	L	18"	17"	17"	12"
29N-058	3	71"	22.5"	44.25"	34.5"	10"	R	18"	17"	17"	12"
29N-001	3	84"	25.5"	44.25"	34.5"	10"	L & R	18"	16"	20"	14"
29N-002	3	90"	24"	44.25"	34.5"	10"	L & R	18"	18"	18"	14"
29N-059	3	117"	28.5"	44.25"	34.5"	10"	L & R	24"	23"	23"	12"
29N-060	3	45"	45"	44.25"	37"	6"	L & R	14"	14"	14"	14"



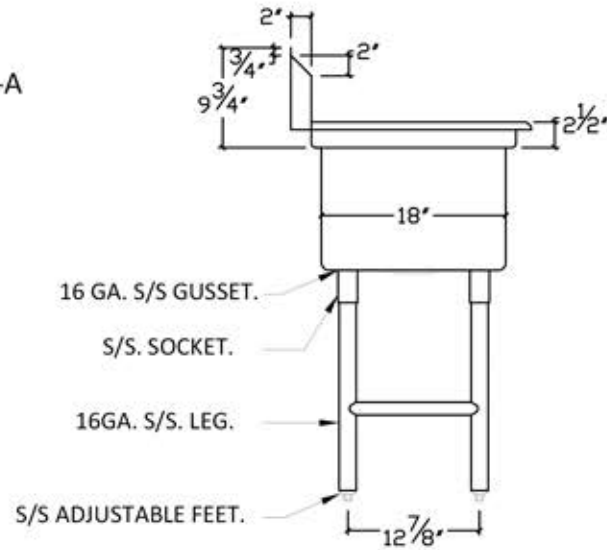
CLOSED HEM  
(TO INSIDE OF SINK)

SECTION A-A



GENERAL NOTES

- \* TOP - 16 GA. 304 S/S #3 POL.
  - \* LEGS - 16 GA. 1-5/8 DIA. S/S TUBING.
  - \* FEET - S/S ADJUSTABLE FEET.
  - \* ALL SEAMS WELDED & POLISHED
  - \* NO BURRS OR SHARP EDGES
  - \* MEETS NSF STD. 2
- FEATURES
- \* 9 3/4" BACK SPLASH.
  - \* 3 1/2" DRAIN BASKET INCLUDED.



**KRATOS**

**STAINLESS STEEL  
COMPARTMENT SINKS**

29N-008-RT

ITEM NUMBER

