



PROJECT NAME: _____

LOCATION: _____

ITEM#: _____ QTY: _____

MODEL: _____

18-gauge, 304 Stainless Steel Compartment Sinks



29N-003



29N-005

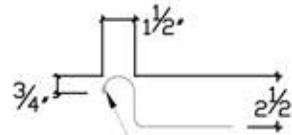
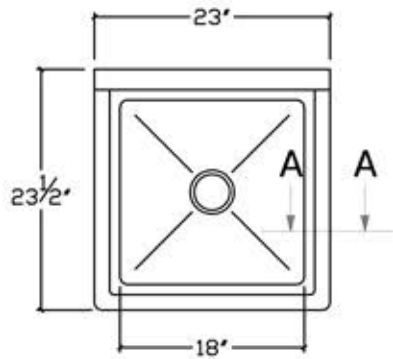
Features:



- 18-gauge, Type 304 Stainless Steel Tabletops
- Sturdy Galvanized Steel Legs with Bullet Feet
- Rolled edges and Backsplash keep water off the floor
- 1.5" IPS Drain Connection & 3.5" Basket Strainer
- Faucets sold separately

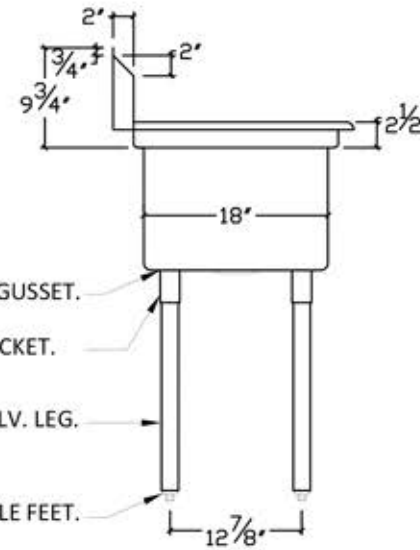
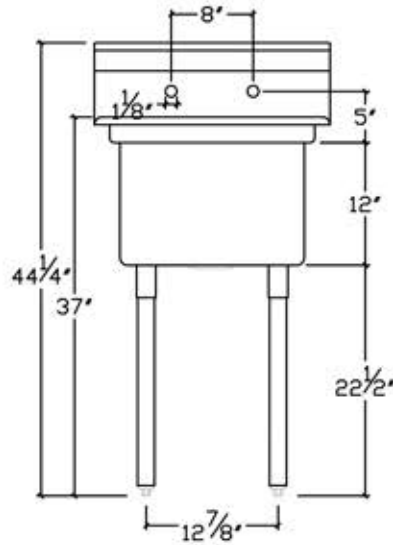
Specifications:

Item#	Bowls	(L)	(W)	(H)	Work Surface	Backsplash	Drainboards	DB Length	Bowl Dims		
									L→R	Front→Back	D
29N-007	1	23"	24"	44.25"	34.5"	9"	-	-	18"	18"	12"
29N-005	2	41"	24"	44.25"	34.5"	10"	-	-	18"	18"	12"
29N-051	2	51"	28.5"	44.25"	34.5"	10"	-	-	23"	23"	12"
29N-006	2	72"	24"	44.25"	34.5"	10"	L & R	18"	18"	18"	12"
29N-052	3	59"	23.5"	44.25"	34.5"	10"	-	-	18"	18"	12"
29N-004	3	66"	21.5"	45.25"	34.5"	10"	L & R	12"	14"	16"	12"
29N-055	3	69"	25.5"	44.25"	34.5"	10"	L	18"	16"	20"	12"
29N-056	3	69"	25.5"	44.25"	34.5"	10"	R	18"	16"	20"	12"
29N-003	3	90"	24"	44.25"	34.5"	10"	L & R	18"	18"	18"	12"



CLOSED HEM
(TO INSIDE OF SINK)

SECTION A-A



GENERAL NOTES

- * TOP - 18 GA. 304 S/S #3 POL.
 - * LEGS - 16 GA. 1-5/8 DIA. GALV. TUBING.
 - * FEET - PLASTIC ADJUSTABLE FEET.
 - * ALL SEAMS WELDED & POLISHED
 - * NO BURRS OR SHARP EDGES
 - * MEETS NSF STD. 2
- FEATURES
- * 9 3/4" BACK SPLASH.
 - * 3 1/2" DRAIN BASKET INCLUDED.



STAINLESS STEEL COMPARTMENT SINKS

29N-007
ITEM NUMBER

