

ALUMINUM BUN PAN RACKS

Substantial pan capacity means more servings at your fingertips.



PICTURED:
28W-125



PICTURED:
28W-124



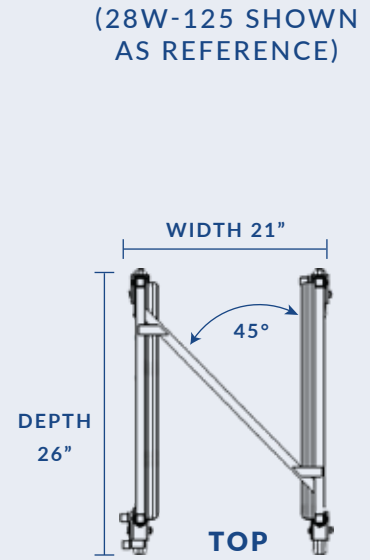
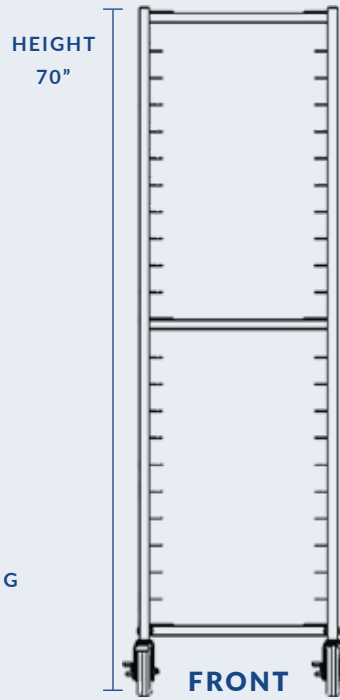
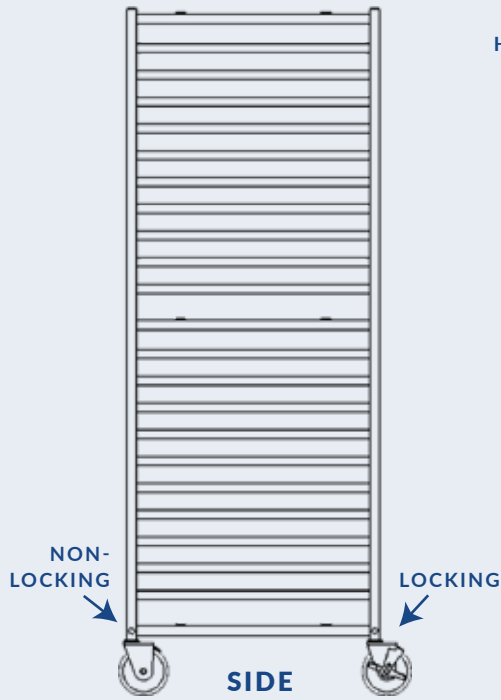
FEATURES

- MODELS 28W-123 & 28W-124 SHIP FULLY WELDED WITH NO ASSEMBLY REQUIRED
- Z-SHAPED NESTING ALUMINUM RACKS (MODELS 28W-123 & 28W-124)
- MODELS 28W-125 & 28W-172 SHIP KNOCKED DOWN SO YOU SAVE ON FREIGHT
- HEAVY DUTY 18-GAUGE ALUMINUM CONSTRUCTION
- CONVENIENT END-LOADING DESIGNS WITH ALUMINUM PAN SUPPORTS
- HOLDS 12 FULL SIZED PANS SPACED 5" EACH OR 20 FULL SIZED PANS SPACED 3" EACH
- 5" HARD NEOPRENE WHEELS ON STEM CASTERS PROVIDE OPTIMAL MOBILITY
- BRAKES ON FRONT TWO WHEELS OF WELDED MODELS SECURE THE RACK
- NSF CERTIFIED

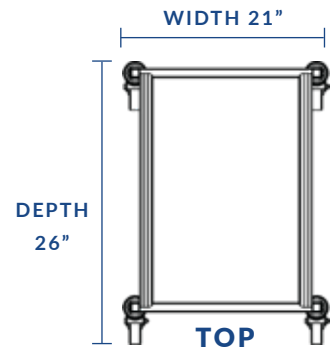
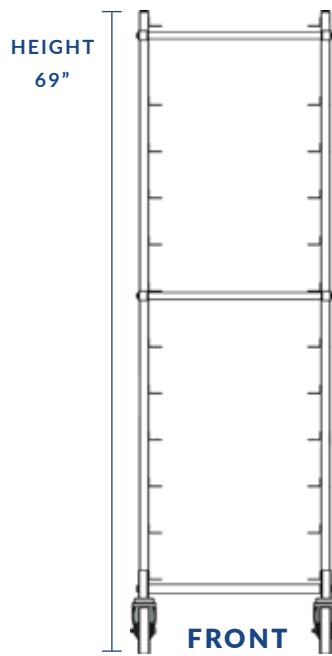
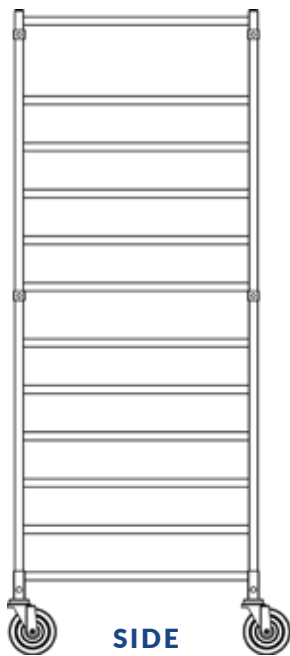
SPECIFICATIONS

ITEM	WIDTH	DEPTH	HEIGHT	SLIDE SPACING	CAPACITY	WEIGHT	SHIPS
28W-123	21"	26"	69"	5"	12 PANS	36 LBS.	KNOCKED DOWN
28W-124	21"	26"	70"	5"	12 PANS	39 LBS.	WELDED
28W-125	21"	26"	70"	3"	20 PANS	45 LBS.	WELDED
28W-172	21"	26"	38"	3"	10 PANS	37 LBS.	KNOCKED DOWN

28W-124 / 28W-125



28W-123



28W-172

