

KRATOS

STAINLESS STEEL WORKTABLES

FEATURES

- 304SS STAINLESS STEEL TOP
- GALVANIZED UNDERSHELF
- ADJUSTABLE BULLET FEET
- GALVANIZED STEEL LEGS
- NO BACKSPLASH
- STANDARD DUTY
- NSF CERTIFIED



PICTURED:
18 GAUGE
STANDARD DUTY
WORKTABLE
48"WX30"D

SPECIFICATIONS

ITEM	WIDTH	DEPTH	HEIGHT	GAUGE	WEIGHT
28W-006	72"	30"	34"	18 GAUGE	89 LBS.
28W-012	72"	24"	34"	18 GAUGE	78 LBS.
28W-018	60"	30"	34"	18 GAUGE	71 LBS.
28W-024	60"	24"	34"	18 GAUGE	64 LBS.
28W-030	48"	30"	34"	18 GAUGE	59 LBS.
28W-036	48"	24"	34"	18 GAUGE	54 LBS.
28W-042	36"	30"	34"	18 GAUGE	47 LBS.
28W-048	36"	24"	34"	18 GAUGE	41 LBS.
28W-054	30"	30"	34"	18 GAUGE	40 LBS.
28W-060	30"	24"	34"	18 GAUGE	37 LBS.
28W-066	24"	24"	34"	18 GAUGE	33 LBS.
28W-072	96"	30"	34"	18 GAUGE	113 LBS.
28W-078	96"	24"	34"	18 GAUGE	100 LBS.

KRATOS

STAINLESS STEEL WORKTABLES

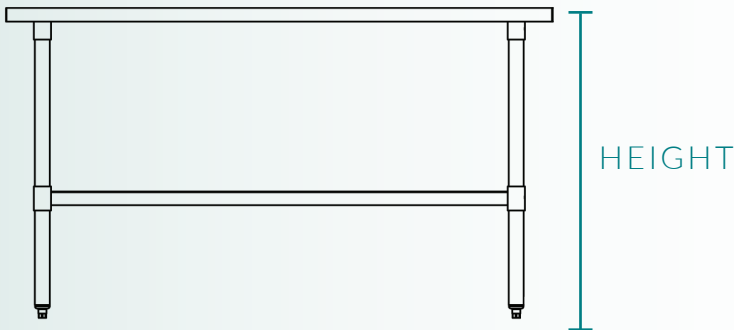
TOP



FEATURES

- 304SS STAINLESS STEEL TOP
- GALVANIZED UNDERSHELF
- ADJUSTABLE BULLET FEET
- GALVANIZED STEEL LEGS
- NO BACKSPLASH
- STANDARD DUTY
- NSF CERTIFIED

FRONT



SIDE

